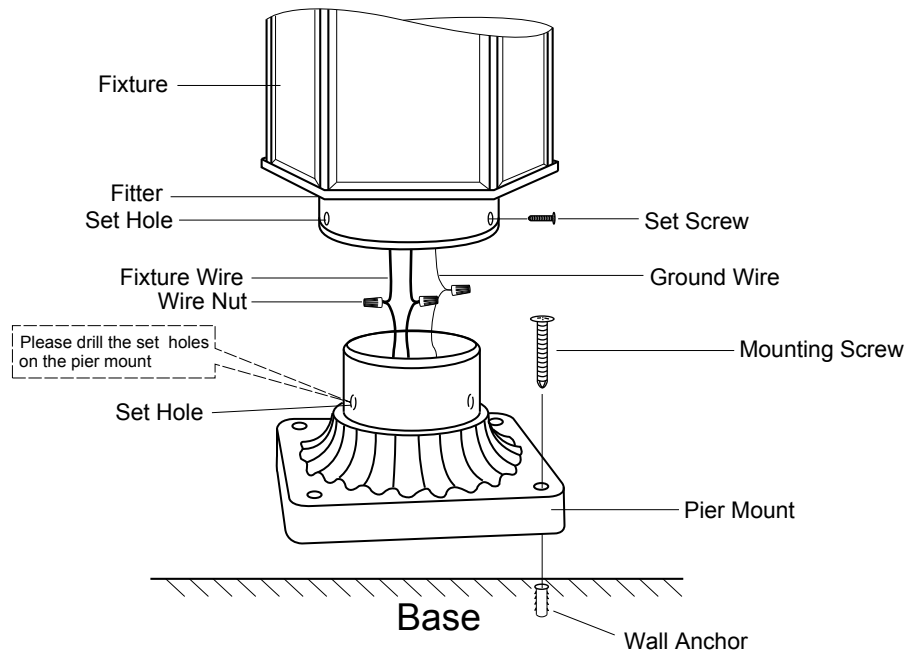


# ASSEMBLY AND INSTALLATION INSTRUCTIONS

T0019 / T0038

**WARNING: BE SURE TO SHUT OFF POWER AT THE MAIN FUSE OR CIRCUIT BREAKER BOX BEFORE INSTALLING OR SERVICING THIS FIXTURE.**

**NOTE: 1. Before installing, consult local electrical codes for wiring and grounding requirements.  
2. READ AND SAVE THESE INSTRUCTIONS.**



1. Attach the fitter of the fixture to the pier mount and mark the set holes positions of the fitter on the pier mount, and place the pier mount to the base and mark the set holes position of the pier mount on the base.
2. Place the light fixture aside. Drill the marked positions of the set holes on the pier mount and the base by power tool.  
NOTE: The set holes which drilled on the pier mount must be smaller than the set screws.
3. Thread the wall anchors into the holes, place the pier mount to the base, and then thread the mounting screws through the set holes into the wall anchors.
4. Make wire connections with wire nuts:
  - The black wire from light to the black wire from power source.
  - The white wire from light to the white wire from power source.
  - The ground wire to the ground wire of the power source.Carefully tuck wires back into the pier mount.
5. Attach the fitter of the fixture to the pier mount, and match the set holes of the fitter and pier mount. Secure them with the set screws.