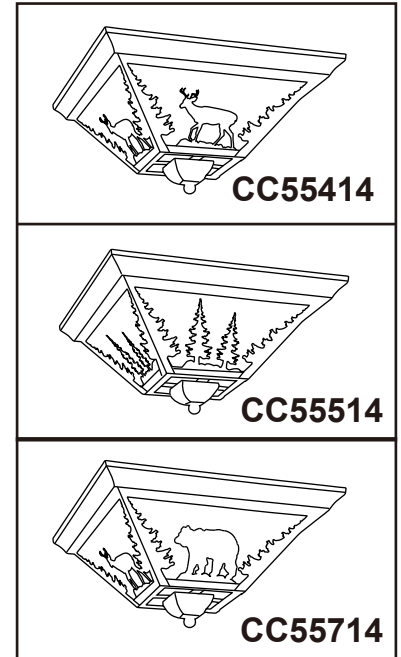
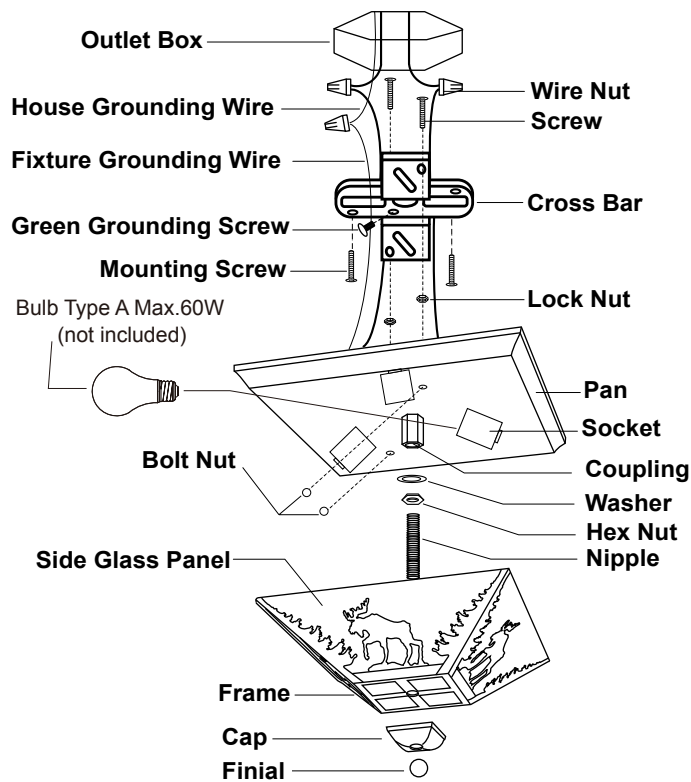


ASSEMBLY AND INSTALLATION INSTRUCTIONS

CC55414 / CC55514 / CC55614 / CC55714

WARNING: BE SURE TO SHUT OFF POWER AT THE MAIN FUSE OR CIRCUIT BREAKER BOX BEFORE INSTALLING OR SERVICING THIS FIXTURE.

**NOTE: 1. Before installing, consult local electrical codes for wiring and grounding requirements.
2. READ AND SAVE THESE INSTRUCTIONS.**



1. Thread two screws through the cross bar, then secure them with two lock nuts. Adjust the length of the screws if necessary.
2. Attach the cross bar to the outlet box by using two mounting screws.
3. Pull out the outlet wires and the house grounding wire from the outlet box. Make wire connections using the wire nuts:
 - The black wire from the fixture to the black wire from the power source.
 - The white wire from the fixture to the white wire from the power source.
 - Attach the fixture grounding wire to the cross bar with the green grounding screw. Then connect it to the house grounding wire with a wire nut.Carefully put the wires back into the outlet box.
4. Attach the pan to the cross bar by inserting the two screws, then secure it with the bolt nuts.
5. Install bulbs (not included), see relamping label at socket area or packaging for maximum allowed wattage.
6. Screw the nipple into the coupling, then secure it with a washer and hex nut.
7. Attach the frame to the pan by inserting the nipple, then secure it with the cap and finial.
8. Turn on the power at the main fuse or circuit breaker box.