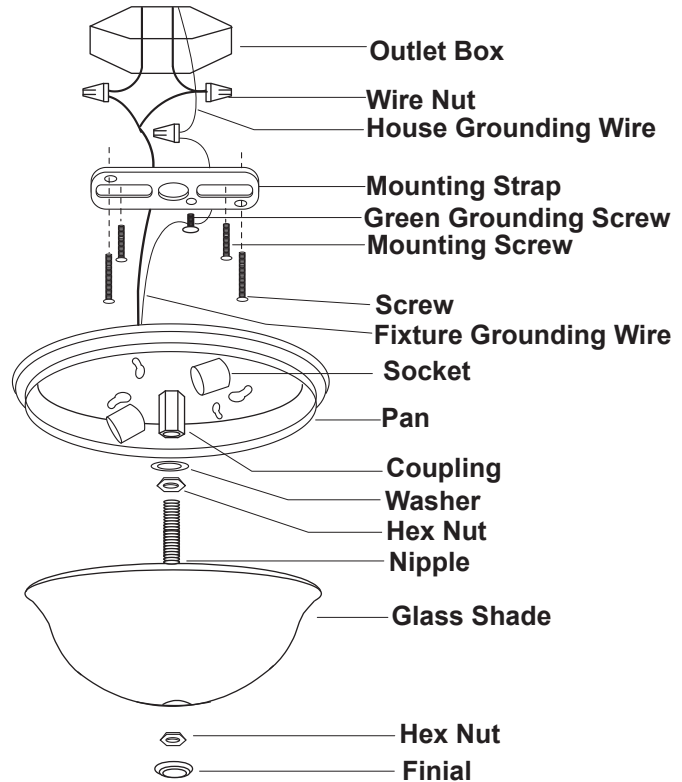
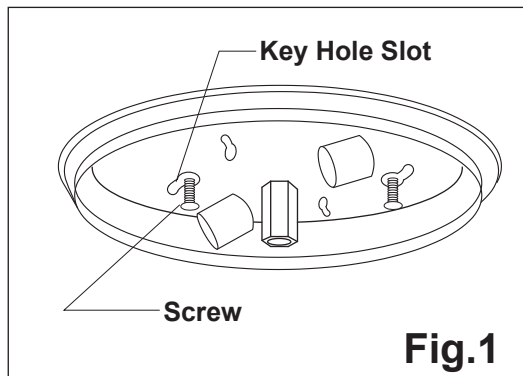


# ASSEMBLY AND INSTALLATION INSTRUCTIONS

CC45311 / CC45313

**WARNING: BE SURE TO SHUT OFF POWER AT THE MAIN FUSE OR CIRCUIT BREAKER BOX BEFORE INSTALLING OR SERVICING THIS FIXTURE.**

**NOTE: Before installing, consult local electrical codes for wiring and grounding requirements.**



1. Attach two screws to the mounting strap, screw them in a little.
2. Attach the mounting strap to the outlet box by using two mounting screws.
3. Pull out the outlet wires and the house grounding wire from the outlet box. Make wire connections using the wire nuts:
  - Connect the black wire from the fixture to the black wire from the power source.
  - Connect the white wire from the fixture to the white wire from the power source.
  - Attach the fixture grounding wire to the mounting strap with the green grounding screw. Then connect it to the house grounding wire with a wire nut.Carefully tuck the wires back into the outlet box.
4. Attach the pan to the mounting strap by inserting two screws, and rotate the pan until it locks in place. Then secure the screws tightly with a screwdriver.
5. Install bulbs (not included). See relamping label at socket area or packaging for maximum allowed wattage.
6. Screw the nipple into the coupling, then secure it with a washer and hex nut.
7. Attach the glass shade to the pan by inserting the nipple, then secure it with a hex nut and finial.
8. Turn on the power at the main fuse or circuit breaker box.