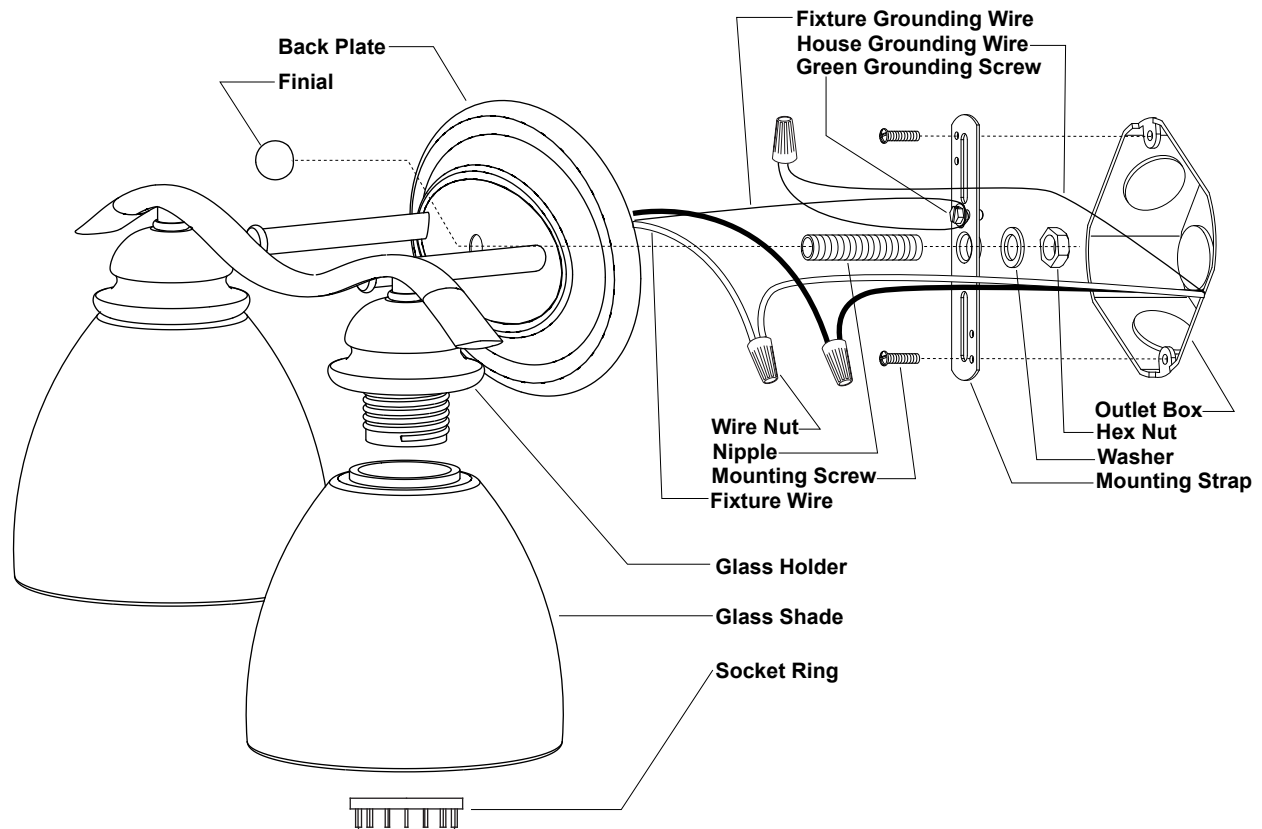


# ASSEMBLY AND INSTALLATION INSTRUCTIONS

AL-VLD002 / VLD003 / VLD004

**WARNING: BE SURE TO SHUT OFF POWER AT THE MAIN FUSE OR CIRCUIT BREAKER BOX BEFORE INSTALLING OR SERVICING THIS FIXTURE.**

**NOTE: 1. Before installing, consult local electrical codes for wiring and grounding requirements.  
2. READ AND SAVE THIS INSTRUCTION.**



1. Attach the nipple to the mounting strap, then secure it with a washer and hex nut.
2. Attach the mounting strap to the outlet box by using two mounting screws.
3. Pull out the outlet wires and house grounding wire from the outlet box. Make wire connections using the wire nuts:
  - The black wire from the fixture to the black wire from the power source.
  - The white wire from the fixture to the white wire from the power source.
  - Attach the fixture grounding wire to the mounting strap with the green grounding screw. Then connect it to the house grounding wire with a wire nut.Carefully put the wires back into the outlet box.
4. Attach the fixture to the mounting strap by inserting the nipple, then secure it with the finial.
5. Attach the glass shades to the glass holders, and then secure them with socket rings.
6. Install bulbs (not included). See relamping label on socket area or packaging for maximum allowed wattage.
7. Turn on the power at the main fuse or circuit breaker box.