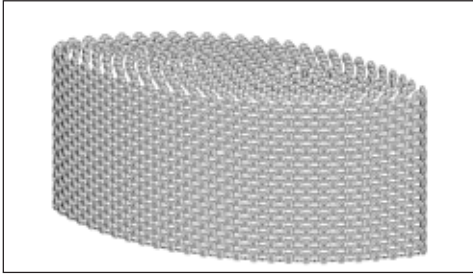
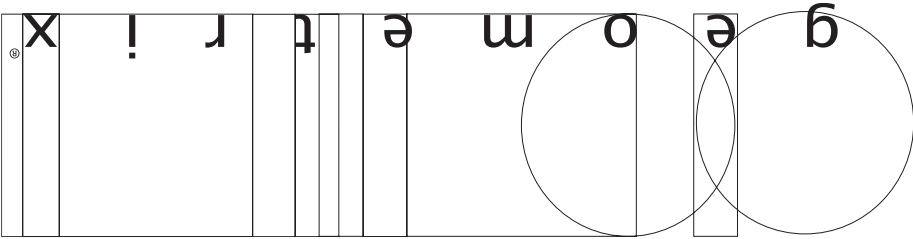


Important: Label on back contains important information on your crystal option. Please save in case you ever need to order matching crystal.



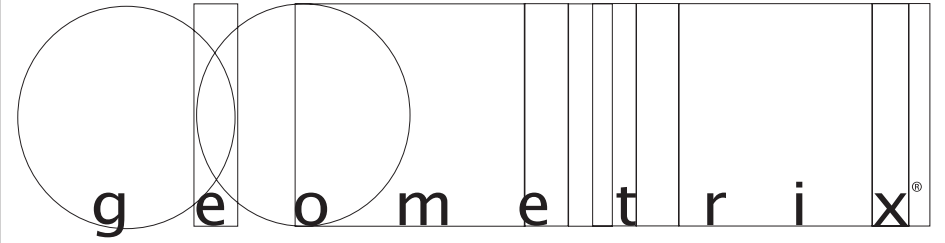
Trim Diagram
Refrax™ Pendant RE2109-**



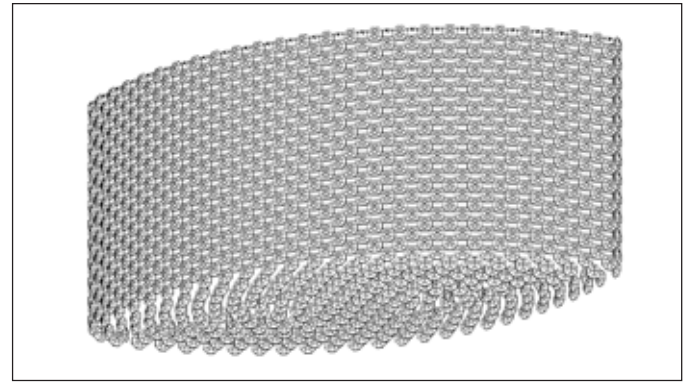
Schonbek Worldwide Lighting Inc., 61 Industrial Blvd., Plattsburgh NY 12901-1908
Tel: 800.836.1892 or 518.563.7500 www.schonbek.com

© 2006 SCHONBEK WORLDWIDE LIGHTING INC., A. SCHONBEK & CO. LTD. WORLDWIDE COPYRIGHT RESERVED

US PATENT: #5,109,325



Trim Diagram
Refrax™ Pendant RE2109-**



9 Lights
Length: 21", Width: 9", Height: 9½"

Geometrix[®] is designed by Schonbek with Strass[®] crystal by Swarovski.

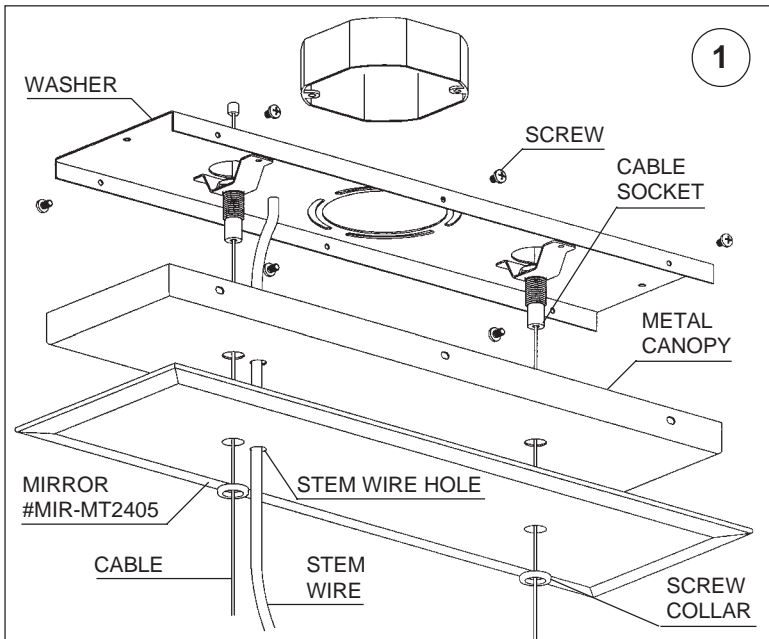


This design is the proprietary trade dress/trademark of Schonbek Worldwide Lighting Inc

Please save your trim diagram for future reference.

IMPORTANT: Label on back contains important information on your crystal option. Please save in case you ever need to order matching crystal.





How to Install G9 & GU10 Bulbs and Refrax™ Chandelier:

1 Remove the screw collar, mirror, metal canopy from the canopy assembly and attach crossbar using hardware (not provided) to outlet box. Feed suspension cable through running thread from the top so that the cast cable end is seated in the inside of the cable socket. Attach crossbar to the ceiling with cable hanging down. Feed suspension cable through the center hole (larger hole) of the canopy, mirror and then screw collar. The metal canopy must be finish side down and on top of the mirror with beveled side down. Loosen the safety nut by turning it counter clockwise and depress it in order to feed the cable into cable glider on chandelier frame and hang to desired height. Slide cable into glider and allow it to play out of the bottom of the frame temporarily. To adjust height, hold the frame with one hand while depressing the safety nut with the other hand until the cable is released. Feed stem wire through stem wire hole in mirror and metal canopy (the smaller hole). When chandelier is at desired height, trim stem wire and connect ground wire (marked with green tracer) and power wires (black or white tracers) in outlet box. Raise metal canopy and mirror to ceiling and secure to running thread with the screw collar. Supplied are 4 cable grips. Clip to support cable and adjust along stem wire as desired. Suspension cable will exit the side of chrome spike. Cut excess cable off with cable cutters.

2 Use G9 JCD bulbs in the small sockets. Plug bulbs carefully but completely into sockets. Use only GU10 base bulb in the larger sockets. Align the legs, insert and turn clockwise carefully but completely. Only use bulbs marked "suitable for open luminaires" OR bearing this symbol:



3 Install bottom crystal grids with six thumb nuts (already screwed onto grid) to bottom of the chandelier.

4 Hang A chains first, following the crystal map. Hook the connectors into the pinholes located towards the outside of the top grid. See illustration to the right.

5 Insert pins into top grid. Hang B chains by sliding the octagon with an open hole onto the pin. Chains B will nest in position between A chains. See illustration to the right.

2

4 - GU10 (Wide Flood) (supplied - Schonbek # : EXN/GU10) 50 Watts Max.

5 - G9 JCD 25 Watts Recommended (Supplied - Schonbek #JCD-G9-25) 40 Watts Max Hanging Weight: 18 pounds

To avoid damaging, do NOT touch bulb with bare hands. Install bulb with clean cloth or tissue.

DETAIL: How to Orient Crystal Grid Perfectly

