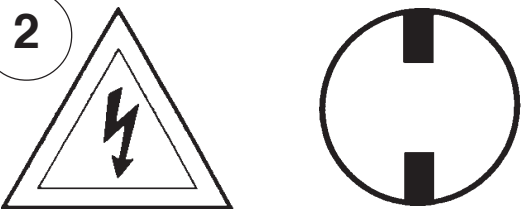


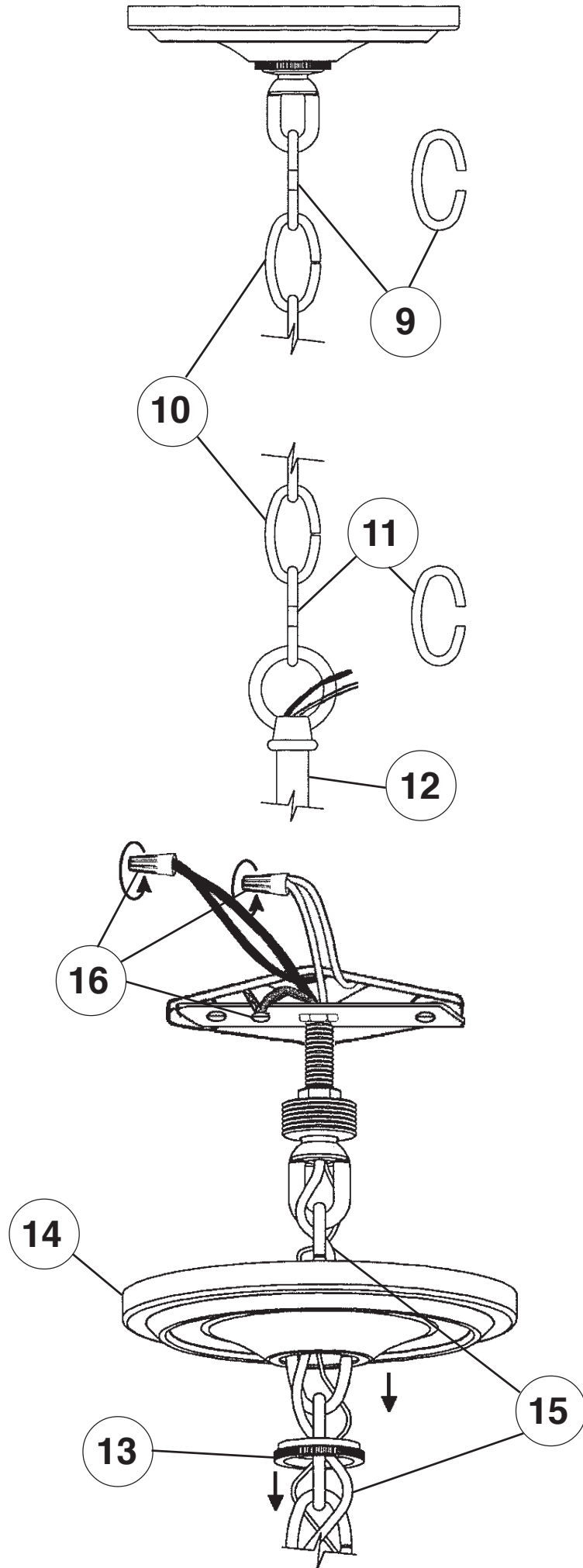
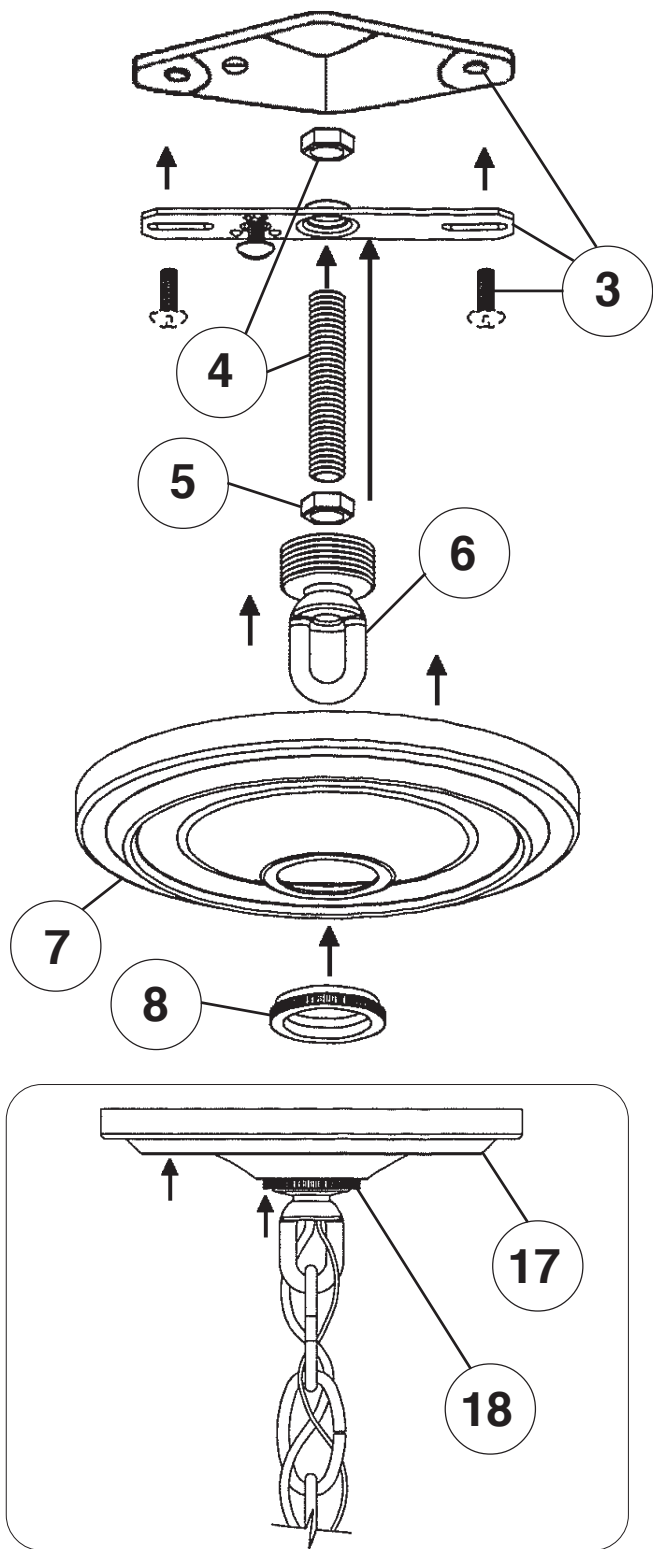
**Instructions for electrician**  
**STEPS 2 - 18**

**WARNING:**



**Electrical Danger Turn Power Off**

All electrical components must be installed by a licensed electrician in accordance with the National Electric Code and the appropriate local electrical codes.



**LUCIA**  
**LU0003N-\_\_\_\_H TRIM DIAGRAM**

(Finish Option)



10 Lights  
Diameter: 25"  
Body Length: 32"  
Hanging Weight: 14lbs.

**T**HIS DESIGN IS THE PROPRIETARY TRADE DRESS/TRADE MARK OF SCHONBEK WORLDWIDE LIGHTING INC.

**SCHONBEK®**



MAX 60 W

**IMPORTANT**

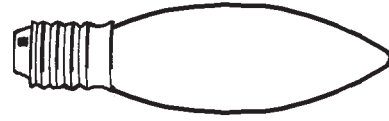
- 1** Person who opens carton should record the following information for future service.
- CODE # \_\_\_\_\_ Four-digit number on outside of carton.
  - PACKER # \_\_\_\_\_ See crystal package label.
  - ORDER # \_\_\_\_\_ See crystal package label.



# Instructions for crystal trimming STEPS 19 - 27

19

You will need 10 - B10  
25 Watts Recommended  
60 Watts Max



Install bulbs and be  
sure to test fixture  
BEFORE trimming.

