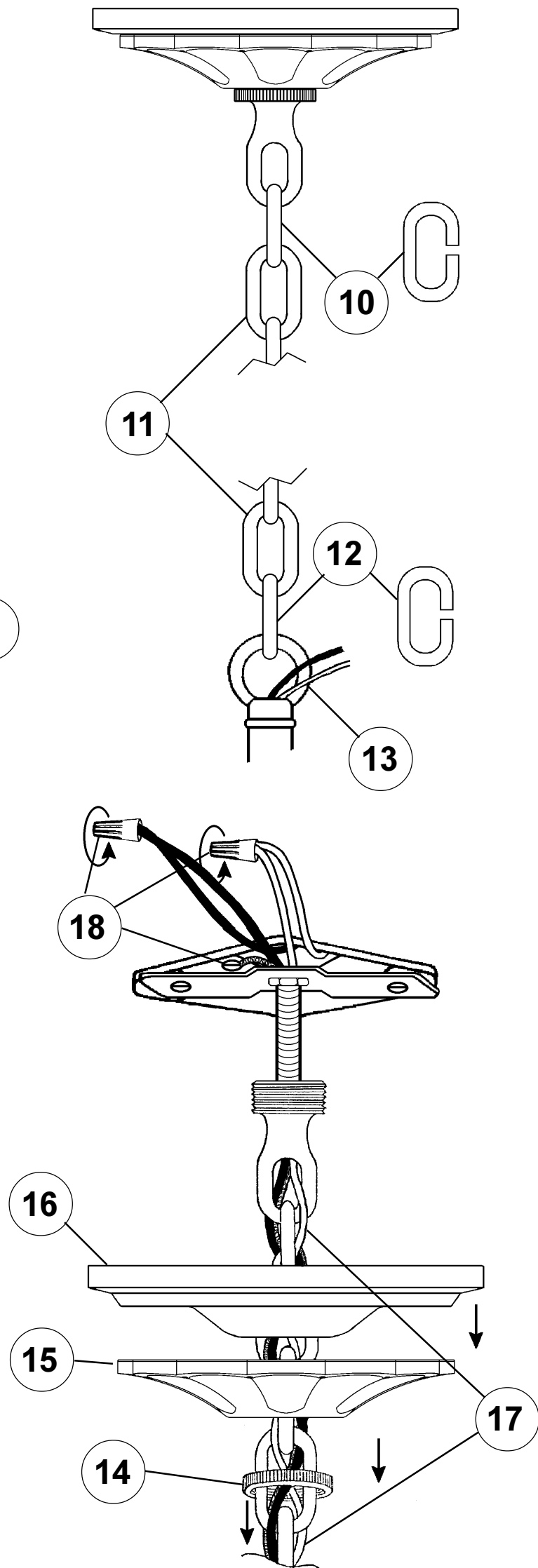
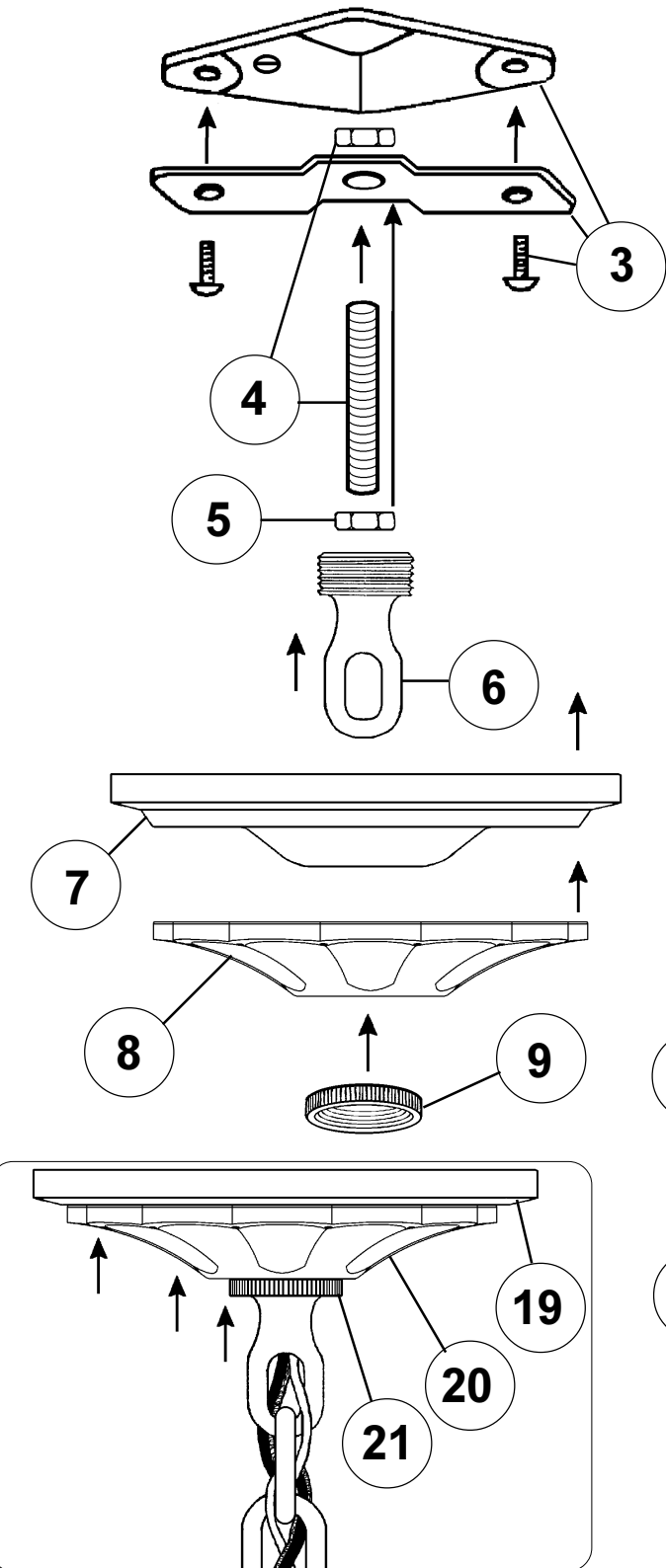


**Instructions for electrician  
STEPS 2 - 21**

**2** **WARNING:**

**Electrical Danger Turn Power Off**

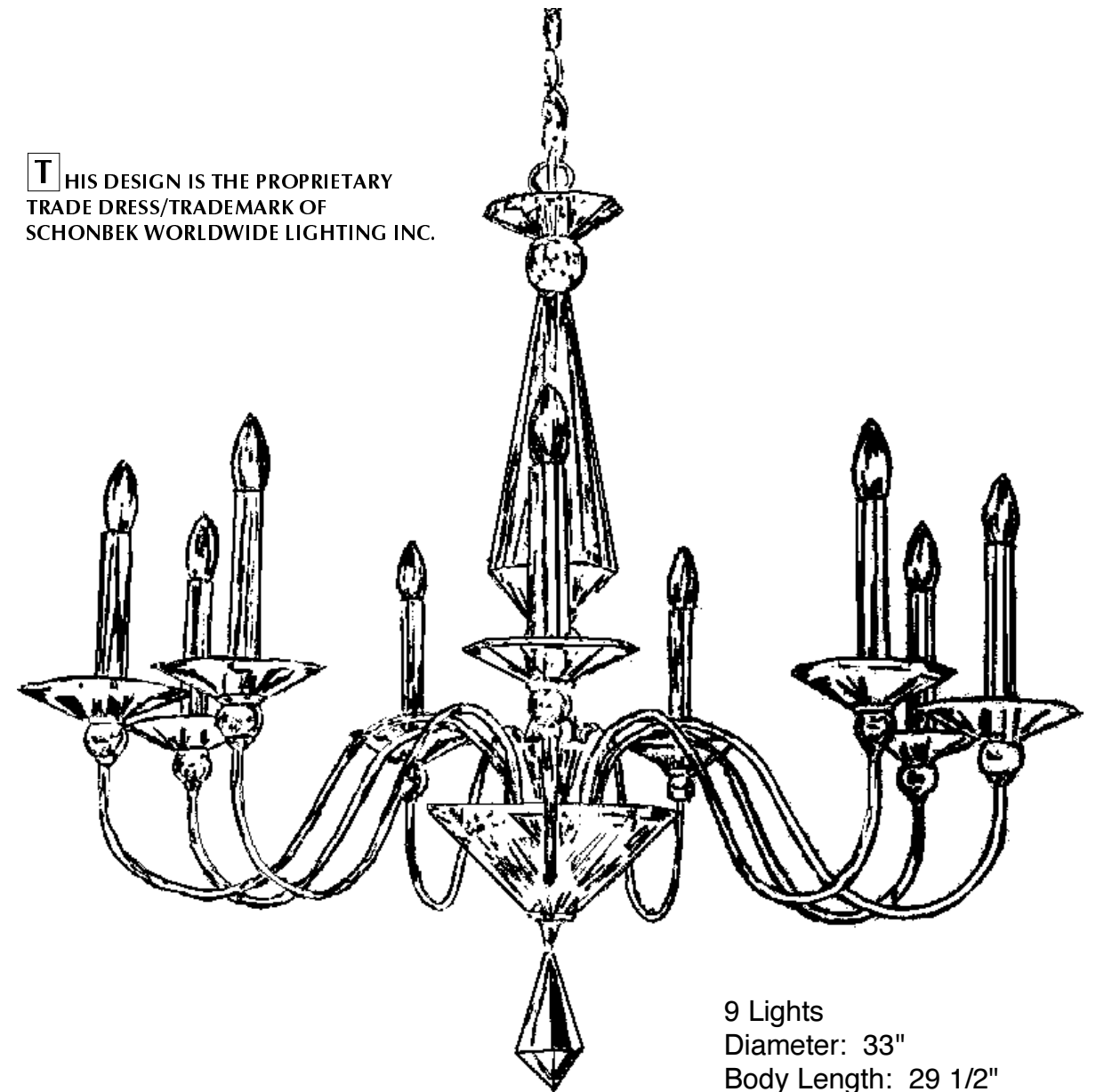
All electrical components must be installed by a licensed electrician in accordance with the National Electric Code and the appropriate local electrical codes.



**CHANDELIER 9679- \_\_\_\_\_ TRIM DIAGRAM**

(Finish Option) (Trim Option)

**T**HIS DESIGN IS THE PROPRIETARY TRADE DRESS/TRADEMARK OF SCHONBEK WORLDWIDE LIGHTING INC.



9 Lights  
Diameter: 33"  
Body Length: 29 1/2"  
Hanging Weight: 21 lbs.

**SCHONBEK®**

**See diagram on back page  
Follow steps in exact order  
Save this trim diagram for future reference**

**1** **IMPORTANT**  
*Person who opens carton should record the following information for future service.*

CODE # \_\_\_\_\_ Four-digit number on outside of carton.  
PACKER # \_\_\_\_\_ See crystal package label.  
ORDER # \_\_\_\_\_ See crystal package label.

SCHONBEK IS A WORLD LEADER IN CHANDELIER DESIGN. PATENTS INCLUDE:  
#D515,727 & #D515,728

**Instructions for crystal trimming**  
**STEPS 22 - 26**

**26**

You will need 9 - C10  
 25 Watts Recommended  
 60 Watts Max

**Install bulbs and be  
 sure to test fixture  
 BEFORE trimming.**

