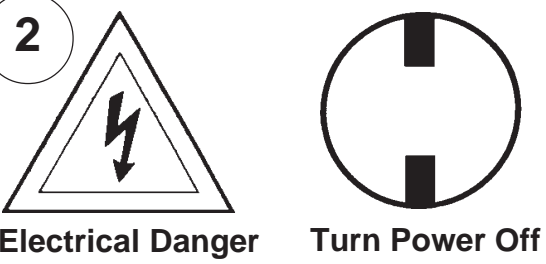
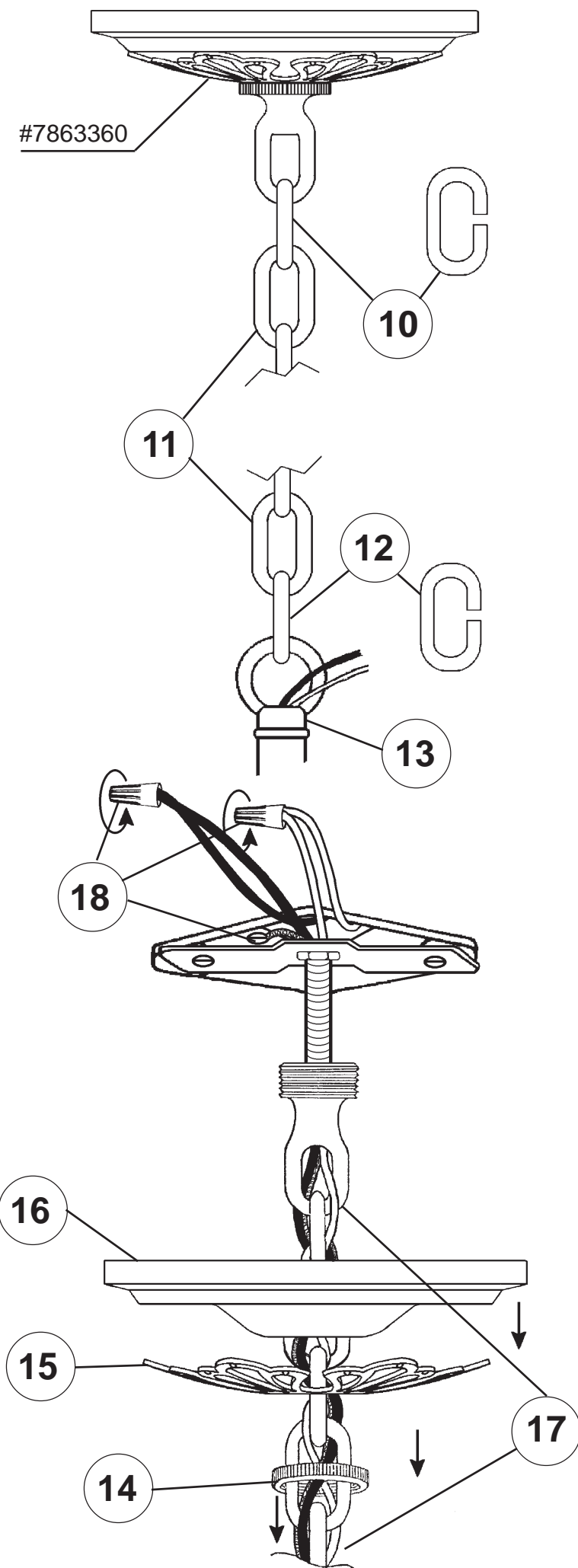
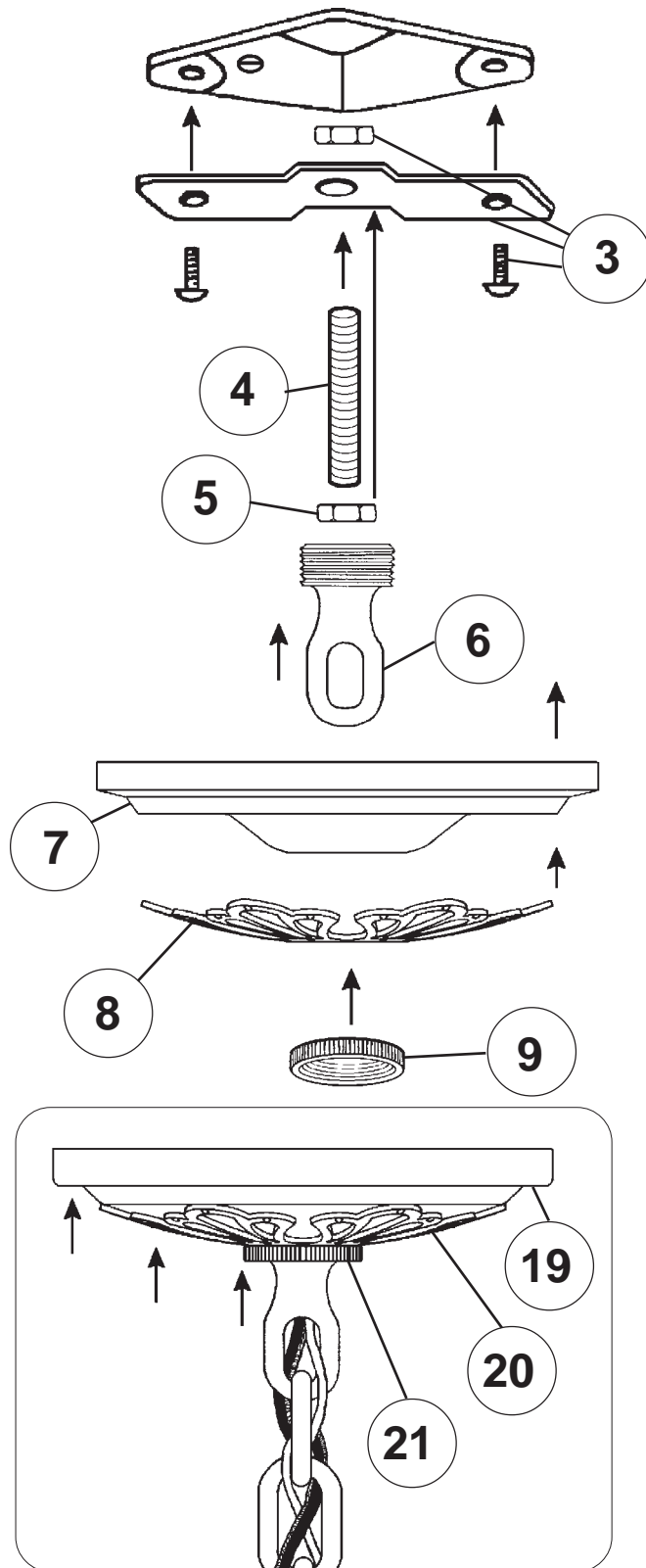


Instructions for electrician
STEPS 2 - 21

WARNING:

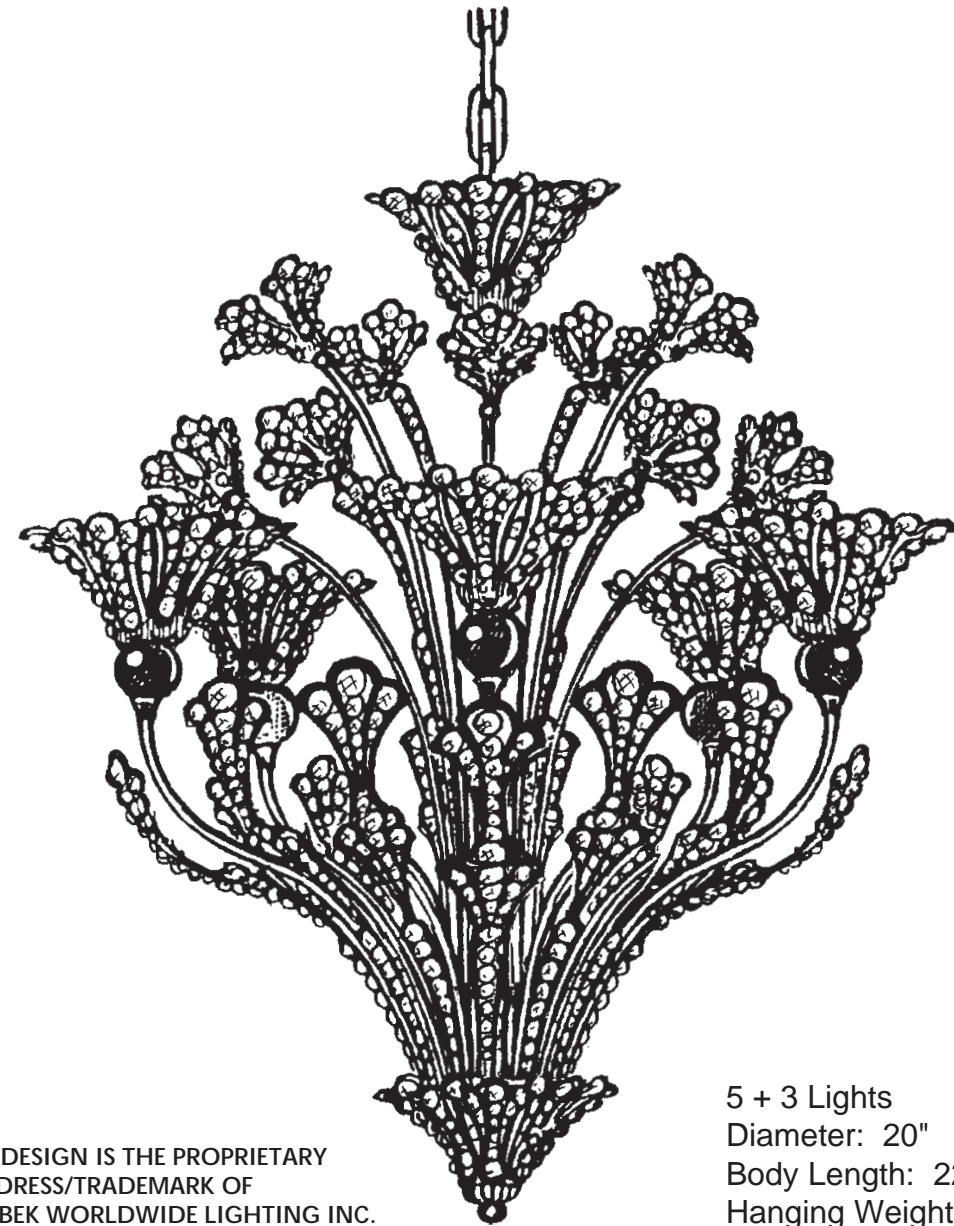


All electrical components must be installed by a licensed electrician in accordance with the National Electric Code and the appropriate local electrical codes.



CHANDELIER 7882-___ A TRIM DIAGRAM

(Finish Option)



THIS DESIGN IS THE PROPRIETARY TRADE DRESS/TRADemark OF SCHONBEK WORLDWIDE LIGHTING INC.

5 + 3 Lights
Diameter: 20"
Body Length: 22-1/2"
Hanging Weight: 12 lbs.

SCHONBEK®

See diagram on back page
Follow steps in exact order
Save this trim diagram for future reference

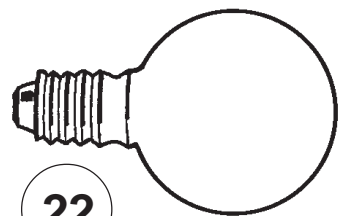
1 **IMPORTANT**
Person who opens carton should record the following information for future service.

CODE # _____ Four-digit number on outside of carton.
PACKER # _____ See crystal package label.
ORDER # _____ See crystal package label.

SCHONBEK IS A WORLD LEADER IN CHANDELIER DESIGN. PATENTS INCLUDE:
#D382,077, #D397,495 & #D435,686

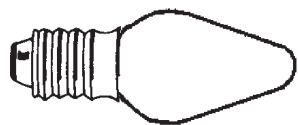
Instructions for crystal trimming

STEPS 22 - 26

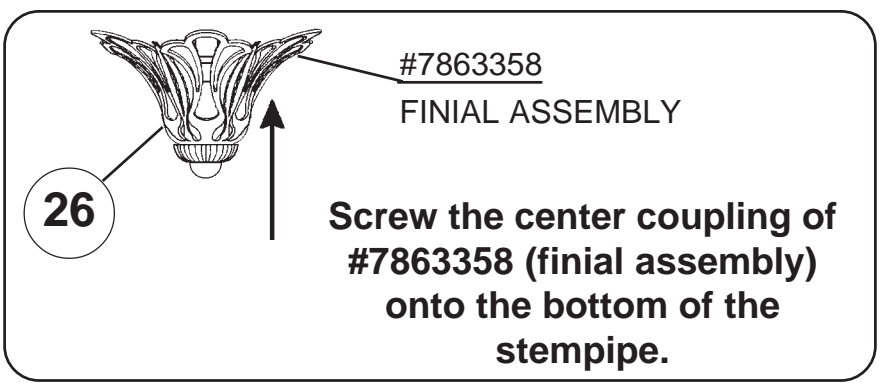
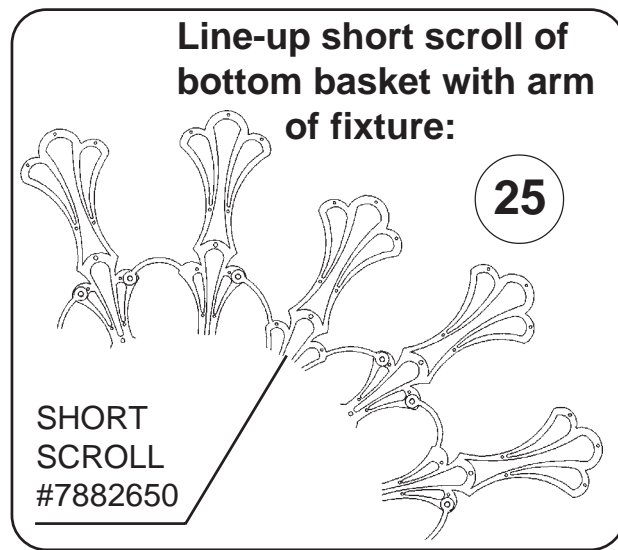
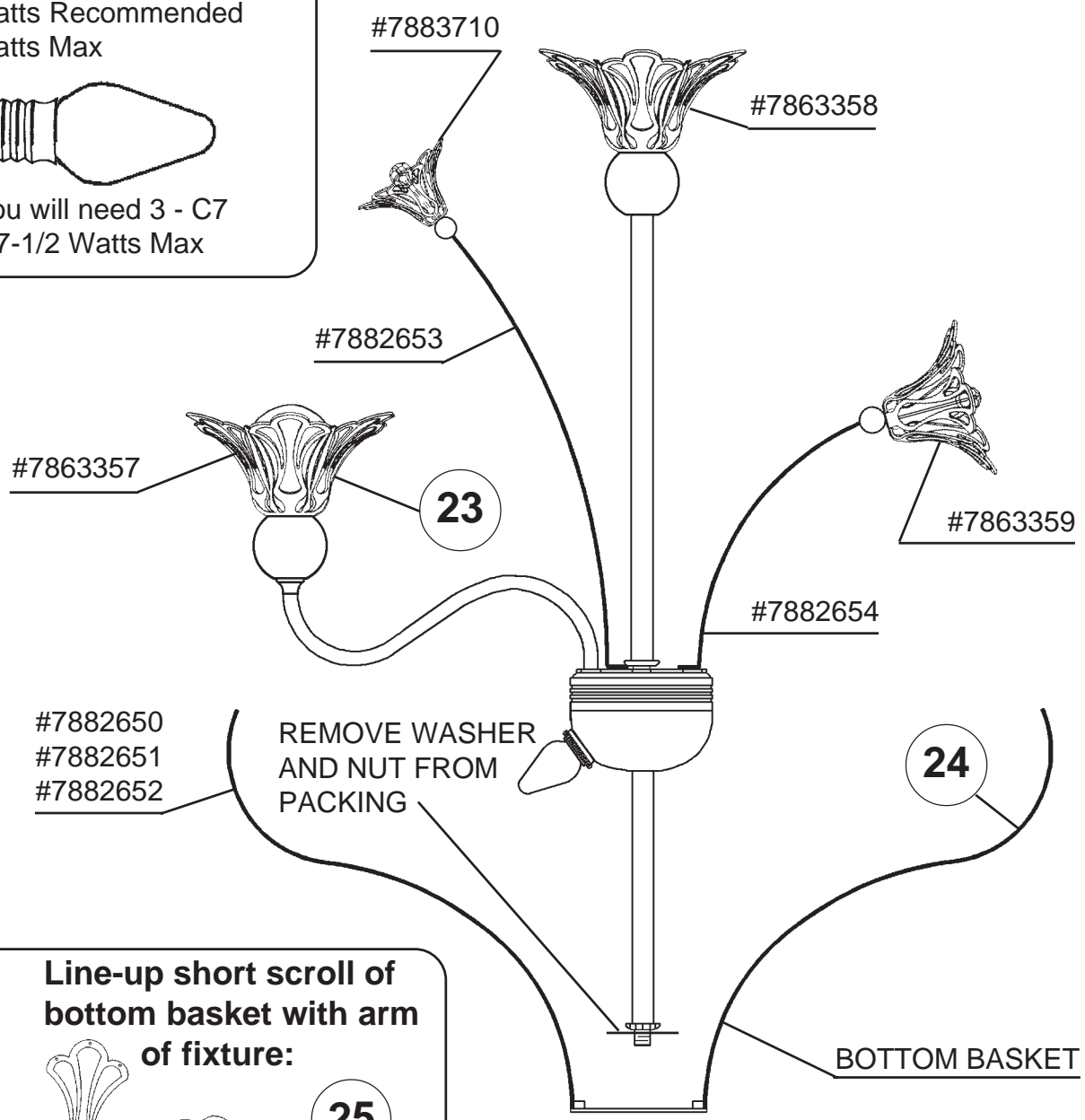


22

You will need 5 - G16-1/2
25 Watts Recommended
60 Watts Max



You will need 3 - C7
7-1/2 Watts Max



PART NUMBERS FOR SPARE PARTS

