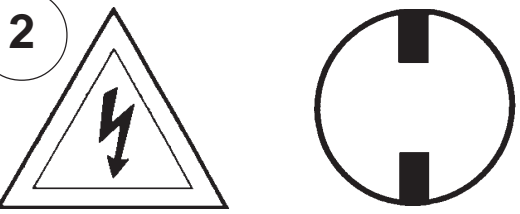


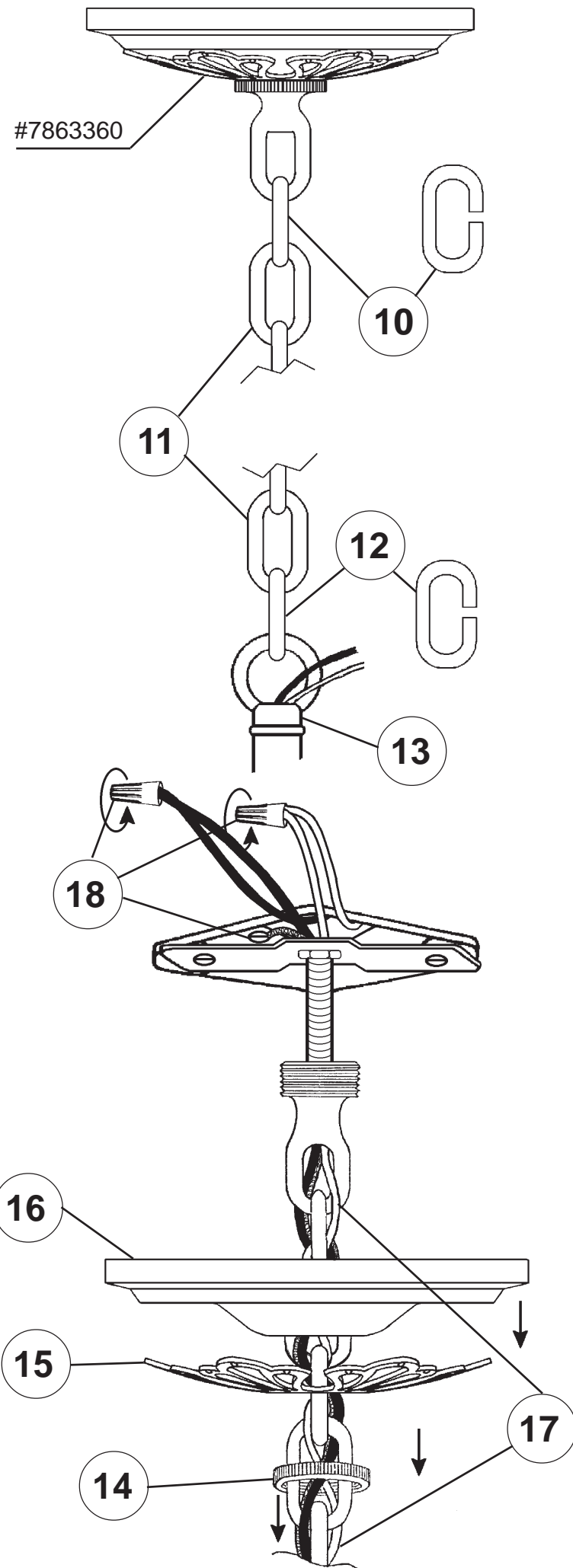
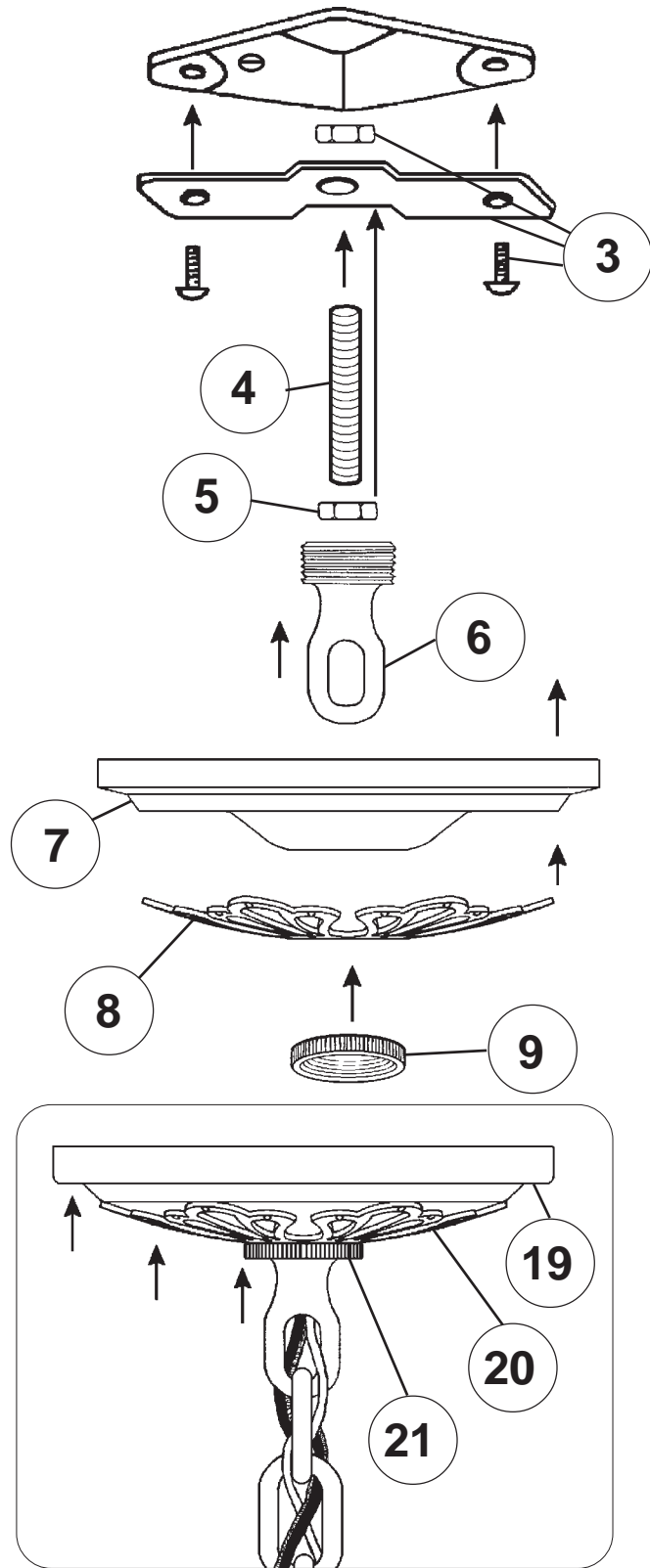
**Instructions for electrician**  
**STEPS 2 - 21**

**WARNING:**



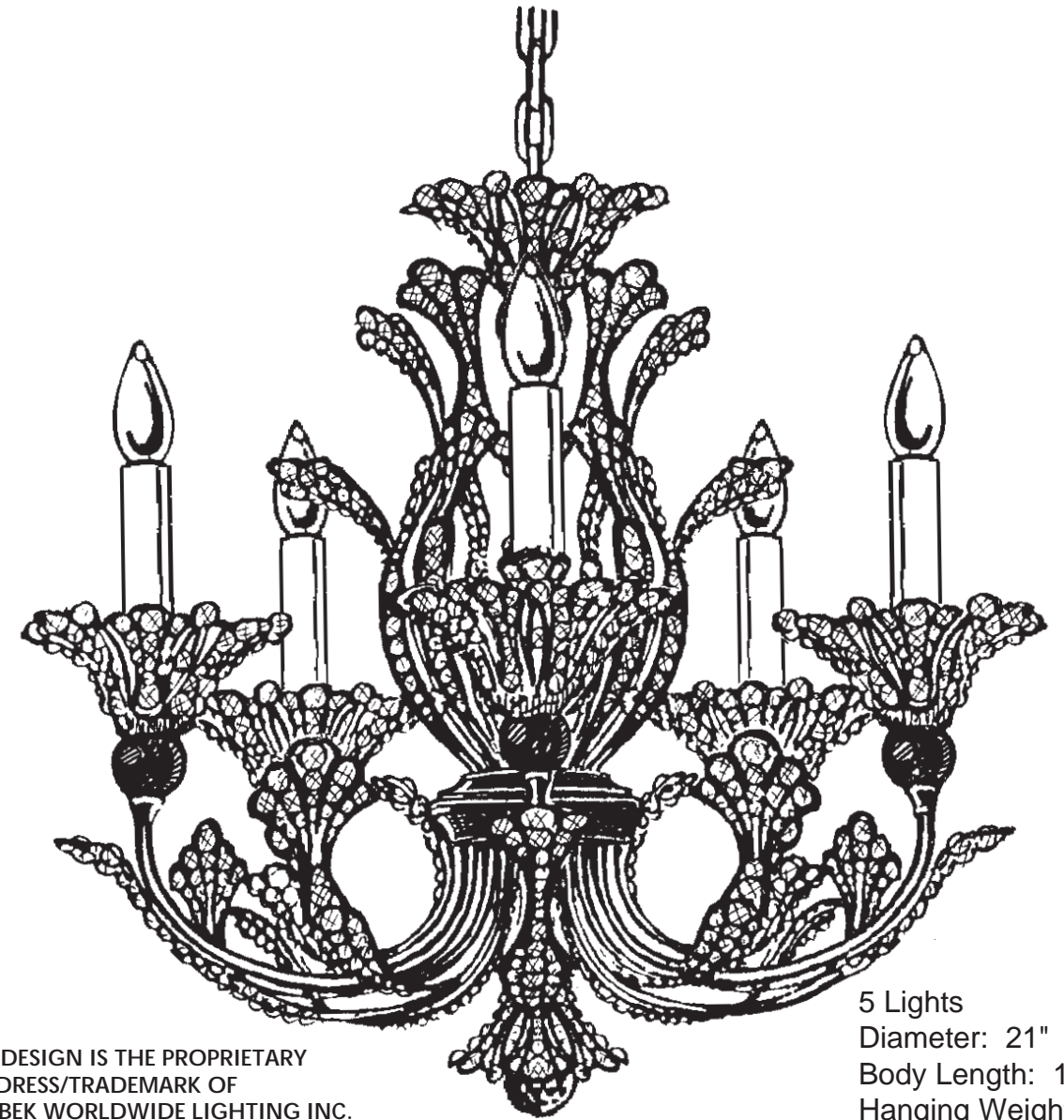
**Electrical Danger Turn Power Off**

All electrical components must be installed by a licensed electrician in accordance with the National Electric Code and the appropriate local electrical codes.



**CHANDELIER 7865- \_\_\_\_\_ A TRIM DIAGRAM**

(Finish Option)



5 Lights  
Diameter: 21"  
Body Length: 19"  
Hanging Weight: 9 lbs.

**T**HIS DESIGN IS THE PROPRIETARY TRADE DRESS/TRADEMARK OF SCHONBEK WORLDWIDE LIGHTING INC.

**SCHONBEK®**

**See diagram on back page**  
**Follow steps in exact order**  
**Save this trim diagram for future reference**

**1** **IMPORTANT**  
**Person who opens carton should record the following information for future service.**

CODE # \_\_\_\_\_ Four-digit number on outside of carton.  
PACKER # \_\_\_\_\_ See crystal package label.  
ORDER # \_\_\_\_\_ See crystal package label.

SCHONBEK IS A WORLD LEADER IN CHANDELIER DESIGN. PATENTS INCLUDE:  
#D397,494, #D397,495 & #D435,686

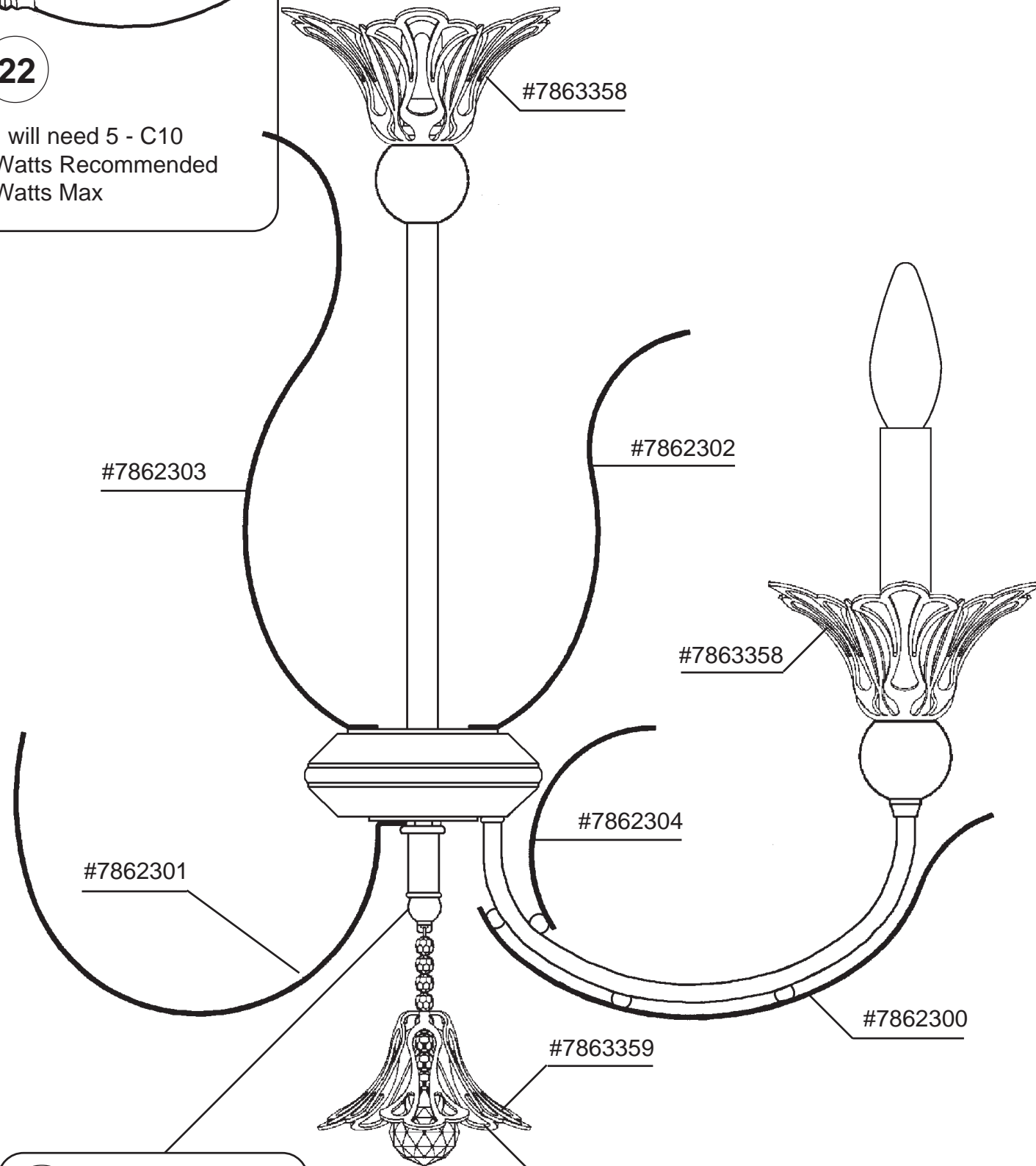
# Instructions for crystal trimming

## STEPS 22 - 24

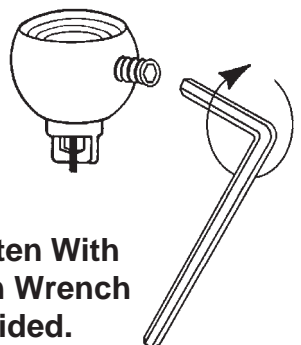


22

You will need 5 - C10  
25 Watts Recommended  
60 Watts Max



24



Tighten With  
Allen Wrench  
Provided.

23

NC235

### PART NUMBERS FOR SPARE PARTS

