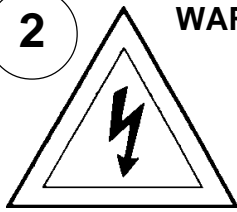


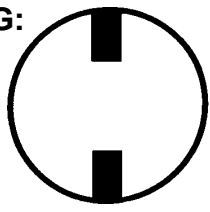
Instructions for electrician
STEPS 2 - 21

2

WARNING:

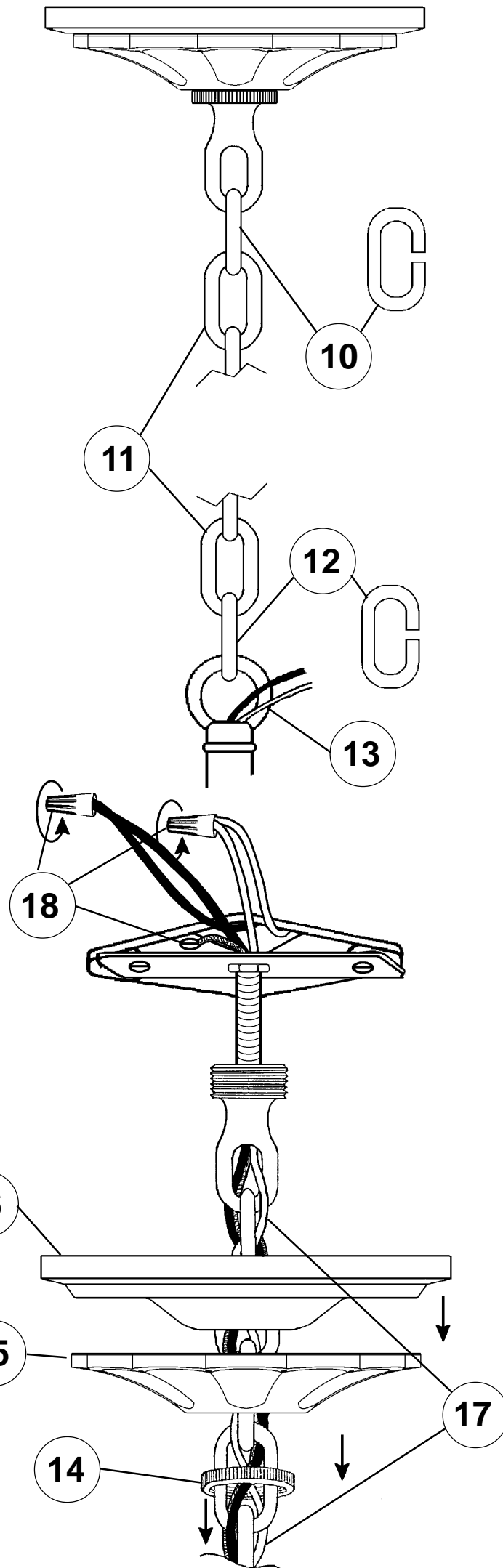
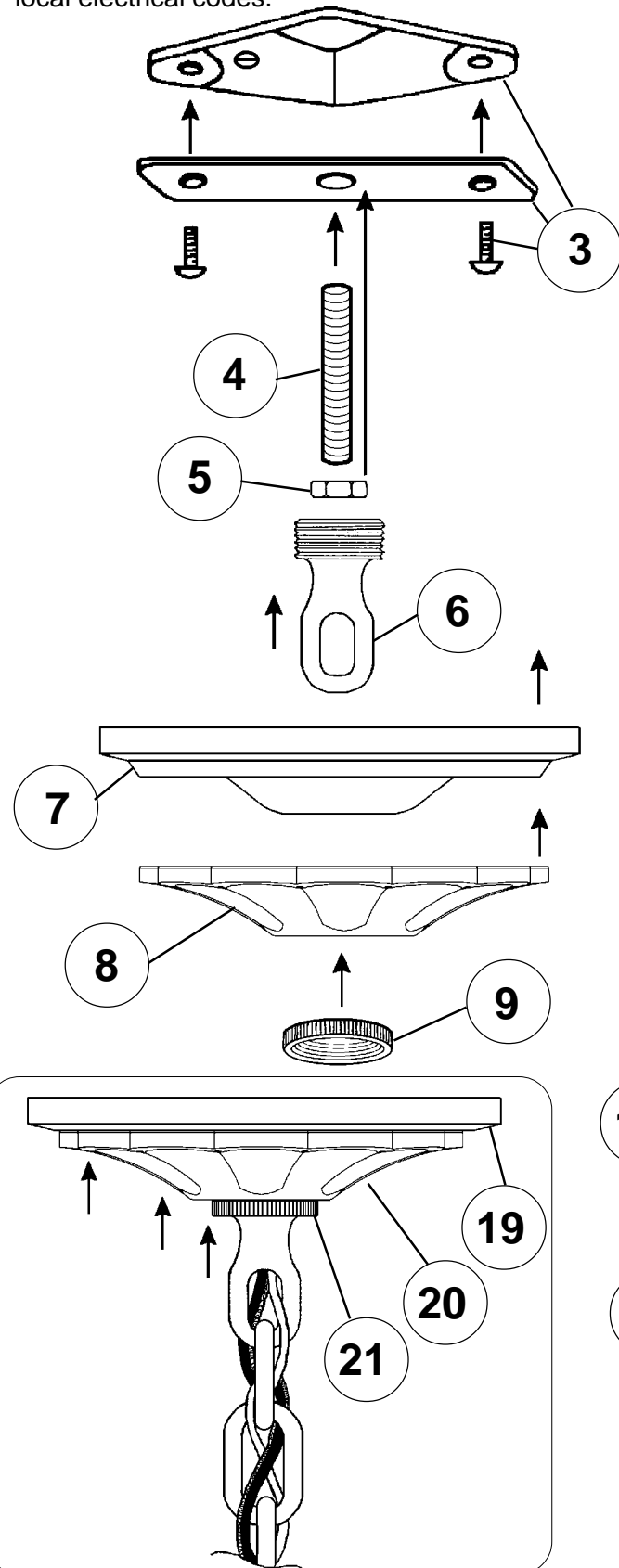


Electrical Danger



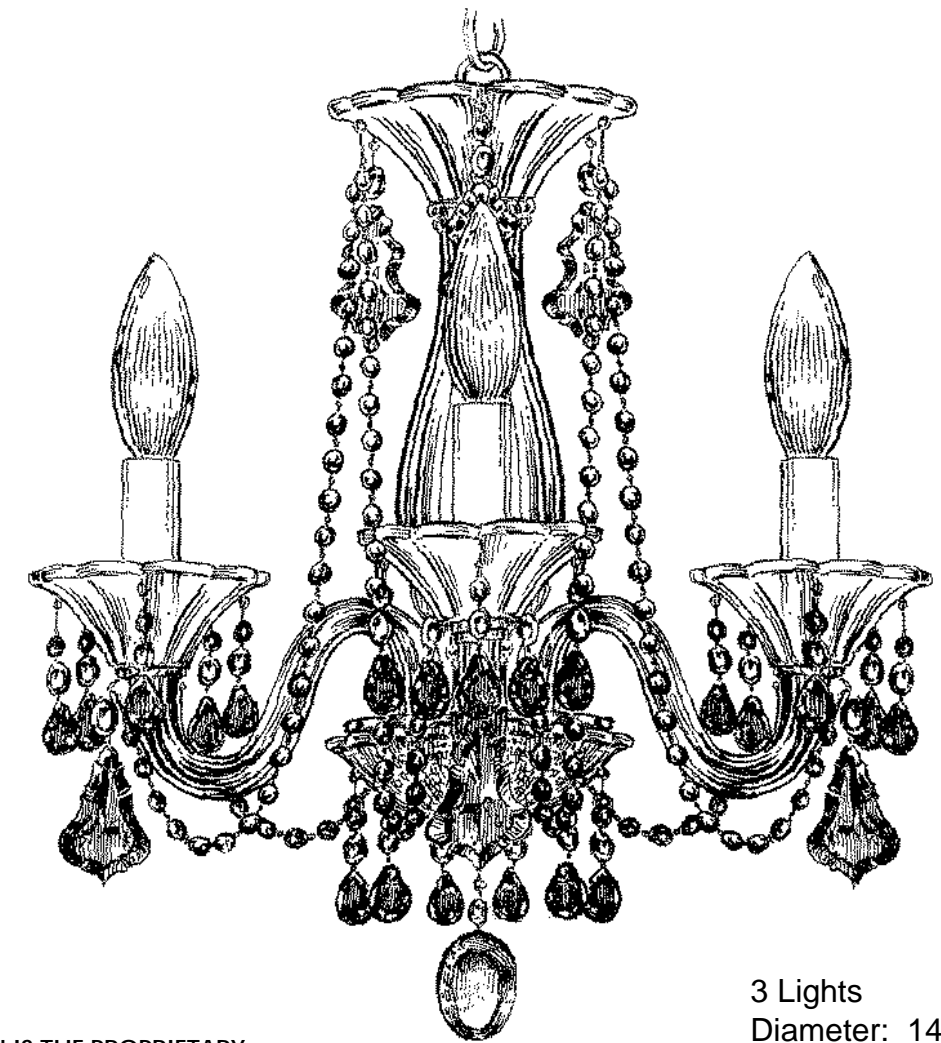
Turn Power Off

All electrical components must be installed by a licensed electrician in accordance with the National Electric Code and the appropriate local electrical codes.



CHANDELIER 6983-_____ TRIM DIAGRAM

(Finish Option)



3 Lights
Diameter: 14"
Body Length: 13"
Hanging Weight: 4 pounds

T HIS DESIGN IS THE PROPRIETARY TRADE DRESS/TRADemark OF SCHONBEK WORLDWIDE LIGHTING INC.

SCHONBEK®

See diagram on back page
Follow steps in exact order
Save this trim diagram for future reference

1

IMPORTANT

Person who opens carton should record the following information for future service.

CODE # _____ Four-digit number on outside of carton.
PACKER # _____ See crystal package label.
ORDER # _____ See crystal package label.

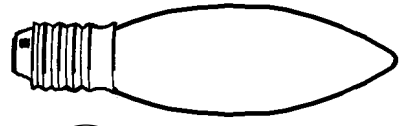
SCHONBEK IS A WORLD LEADER IN CHANDELIER DESIGN. PATENTS INCLUDE:

#D292,620, #D335,362, #D335,546, #D335,716, #D335,720, #D336,537, #D338,082, #D389,264, #D338,278, #D339,879, #D345,815, #D373,441, #D374,102, #D374,103, #D374,498, #D382,077, #D393,325, #D397,495, #D397,494, #D403,101, #D435,686, #D454,973, #D454,974, #D455,224, #D456,940, #D463,602S, #D463,603S, #D464,769S, #D468,480, #2,651,806, #5,104,082, #5,109,325, #5,116,009, #5,144,541, #5,205,644, #5,222,805, #5,241,460, #5,255,173, #5,258,900, #5,285,364, #5,404,285, #5,460,269, #5,567,046, #5,567,468, #5,573,330, #5,577,838, #5,588,744, #5,873,652, #5,906,430, #5,921,668 & #6,241,370B1

Instructions for crystal trimming

STEPS 22 - 28

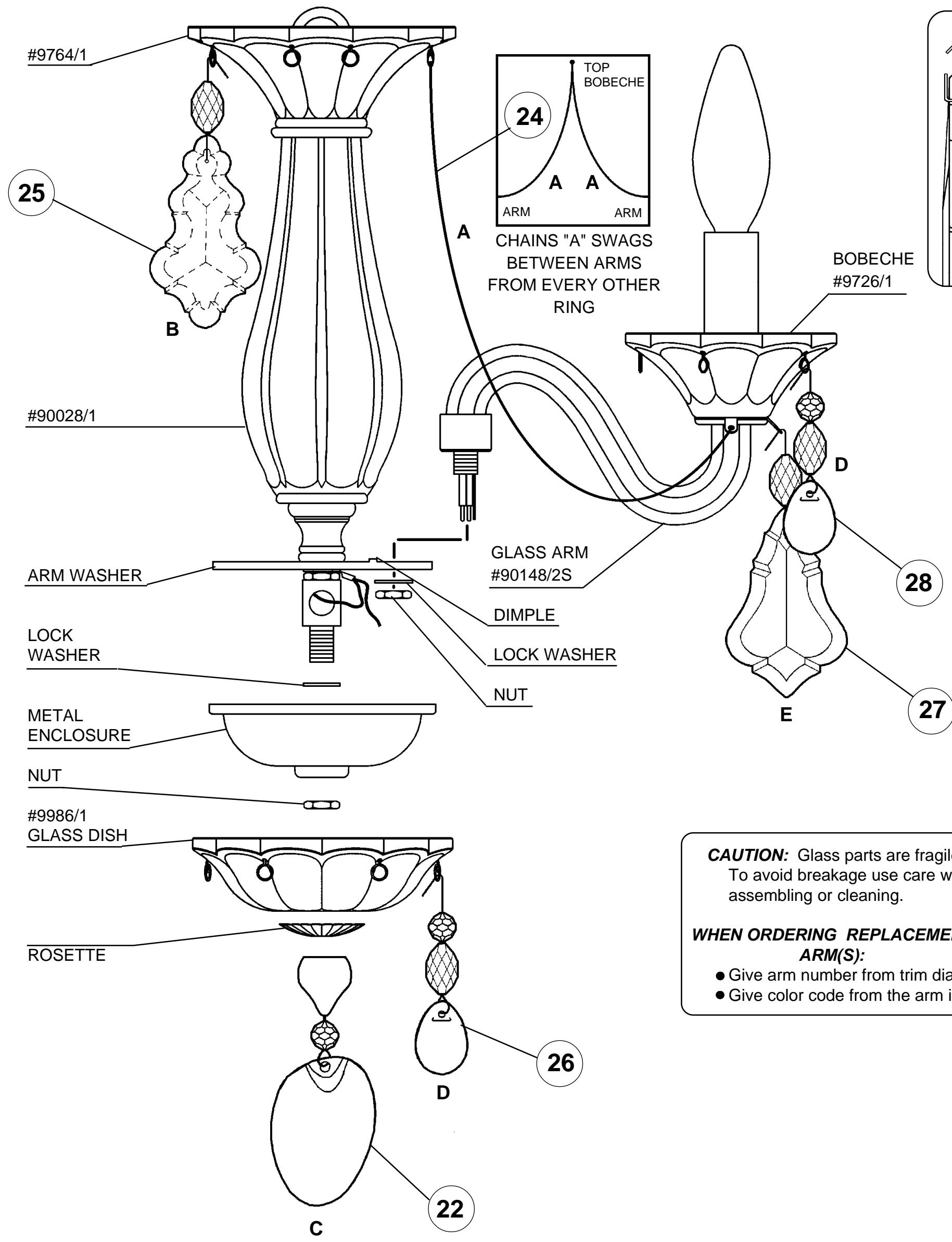
23



You will need 3 - C10
25 Watts Recommended
60 Watts Max

Install bulbs and be sure to test fixture BEFORE trimming.

22 Install arms into washer. Line up holes in arms with dimple in washer. Use lock washer and nut to secure arms in place. Connect bare ground wire in each arm to bare ground wire in center column. Use electrical tape to secure wire nuts. Connect white arm wires to neutral column wire (ribbed or marked is neutral). Connect black arm wires to the power wire in column. Carefully press wires as close as possible to the underside of washer. Install lock washer and metal enclosure with nut provided. Slide glass dish up over stem pipe and attach with rosette and Finial "C". NOTE: Do not over tighten glass dish and rosette with Finial "C" or glass dish will sit crooked against metal enclosure. Install bobeches.



HANG CRYSTAL WITH FLAT SIDE FACING FRONT

CAUTION: Glass parts are fragile. To avoid breakage use care when assembling or cleaning.

WHEN ORDERING REPLACEMENT ARM(S):

- Give arm number from trim diagram
- Give color code from the arm itself

