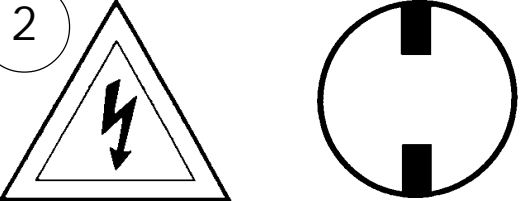


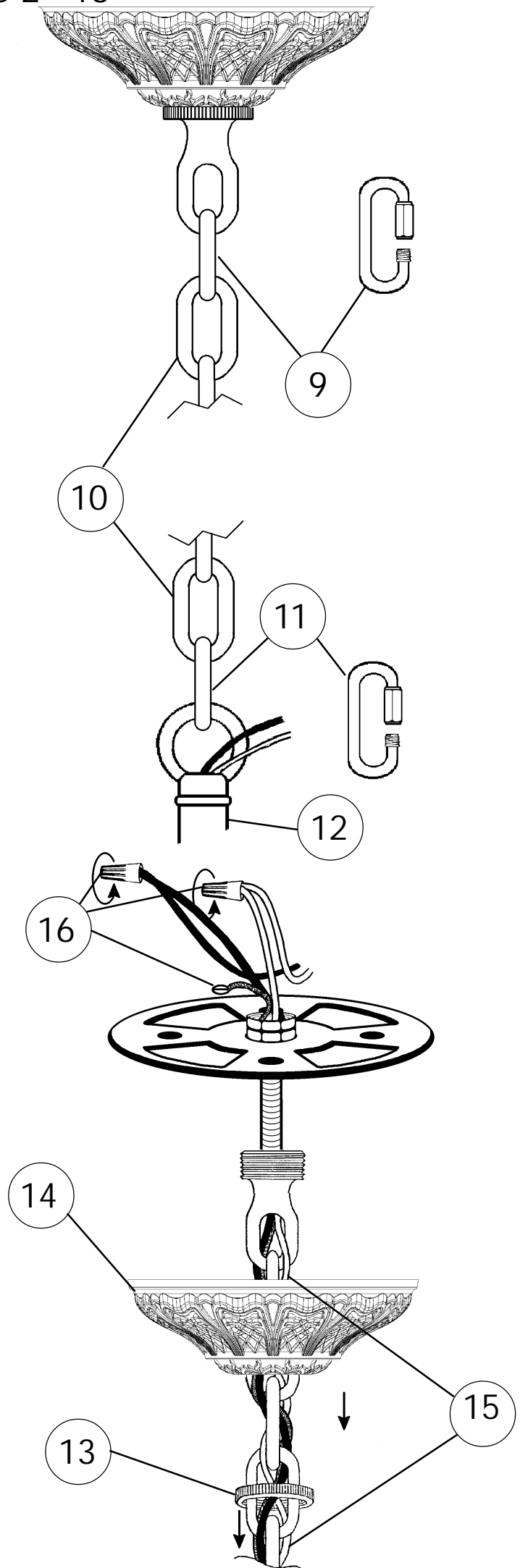
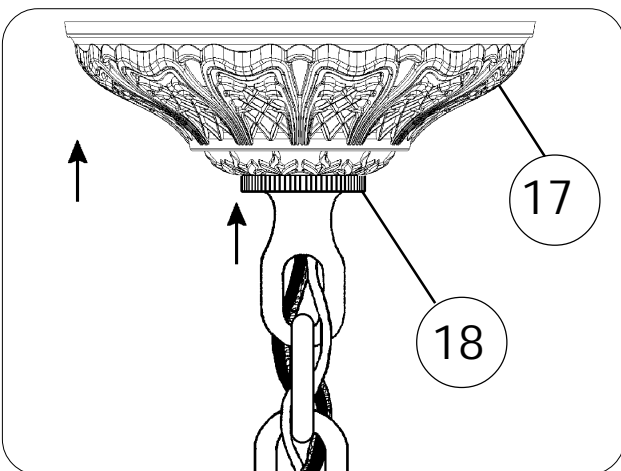
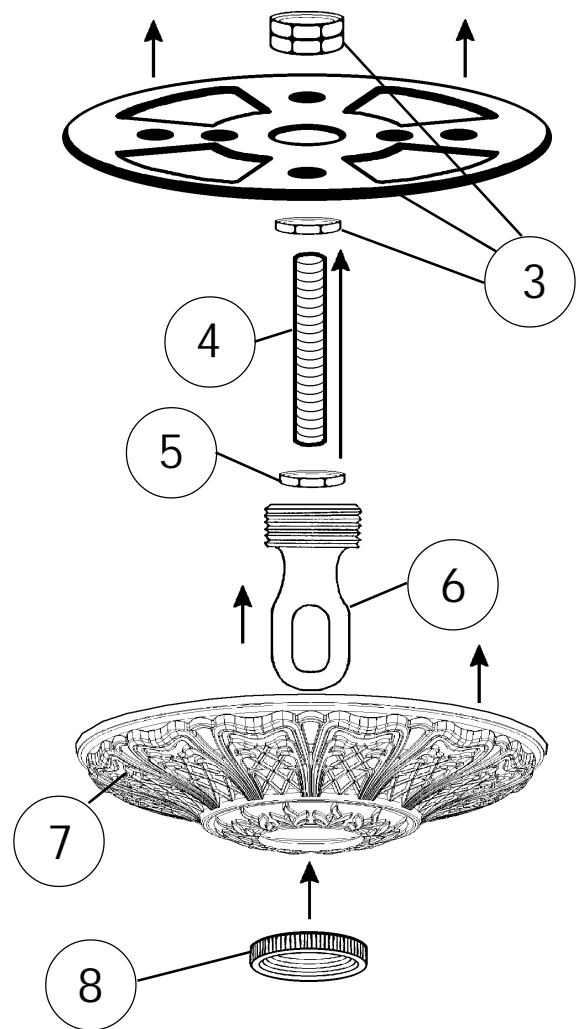
Instructions for electrician
STEPS 2 - 18

WARNING:

2 

Electrical Danger Turn Power Off

All electrical components must be installed by a licensed electrician in accordance with the National Electric Code and the appropriate local electrical codes.



CHANDELIER 6967- ____ __A TRIM DIAGRAM
(Finish Option)



14 + 14 + 7 Lights
Diameter: 55"
Body Length: 62"
Hanging Weight: 180 lbs.

THIS DESIGN IS THE PROPRIETARY TRADE DRESS/TRADE MARK OF SCHONBEK WORLDWIDE LIGHTING INC.

SCHONBEK®

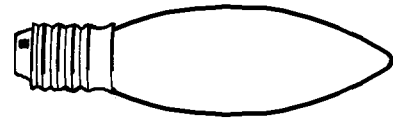
See diagram on back page
Follow steps in exact order
Save this trim diagram for future reference

1 IMPORTANT
Person who opens carton should record the following information for future service.

CODE # _____ Four-digit number on outside of carton.
PACKER # _____ See crystal package label.
ORDER # _____ See crystal package label.

Instructions for crystal trimming

STEPS 19 - 47



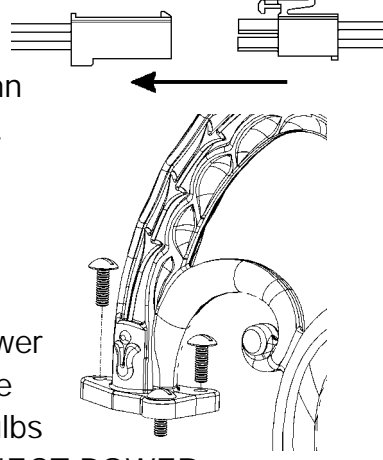
You will need 35 - C10
25 Watts Recommended
60 Watts Max

20

Install bulbs and be
sure to test fixture
BEFORE trimming.

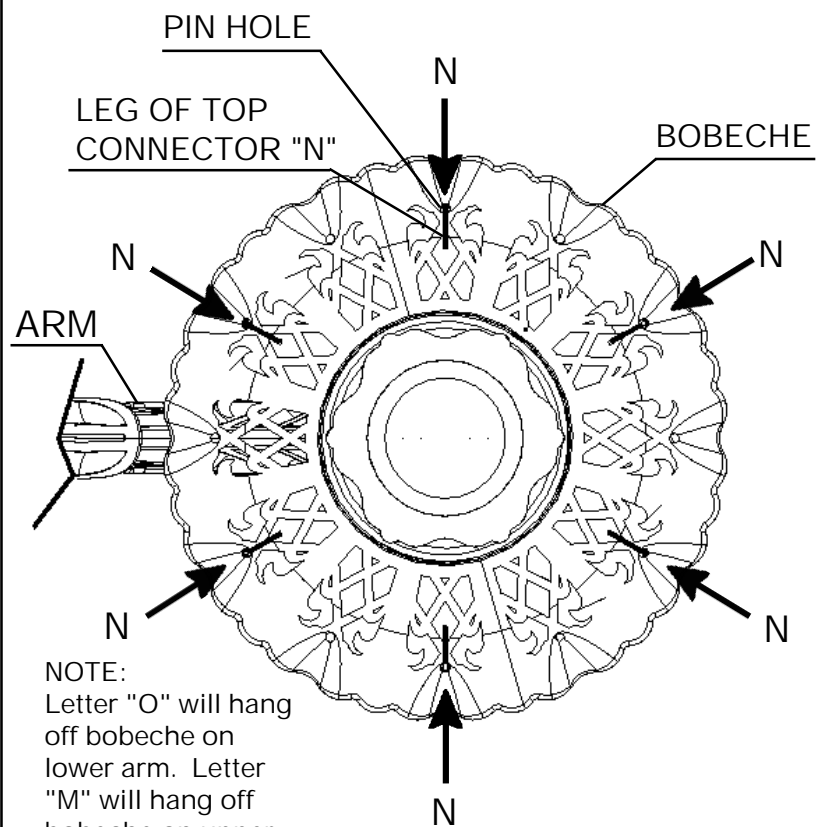
19

Connect arm
wires to the center column
using plug-in connectors.
Screw in three screws
per arm. See detailed
illustration.



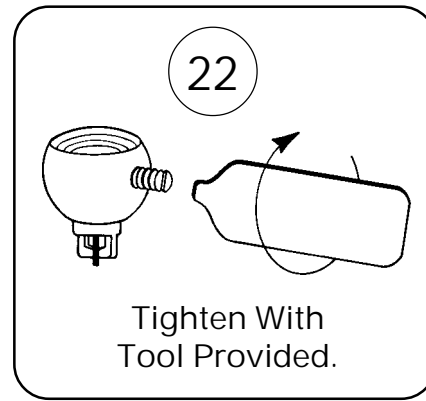
Install bulbs, connect power
and test the fixture before
trimming. If any of the bulbs
do NOT light - DISCONNECT POWER.
Double check the wire connections.

DIAGRAM #1



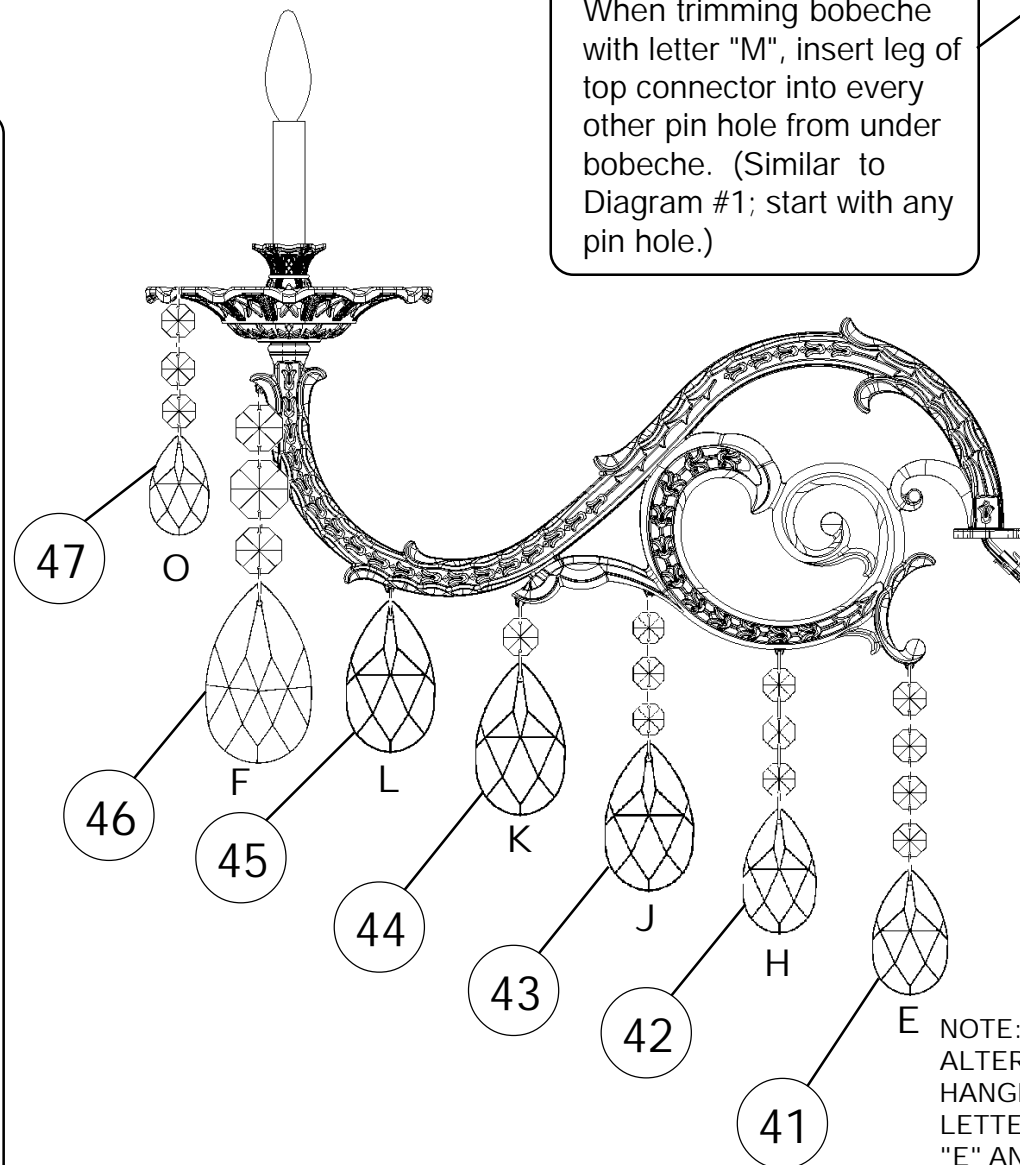
NOTE:
Letter "O" will hang
off bobèche on
lower arm. Letter
"M" will hang off
bobèche on upper
arm.

When trimming arm bobèche with letter "N", insert leg
of top connector into pin hole from under bobèche.
Hang in every other pin hole starting on either side of
the arm (refer to Diagram #1)

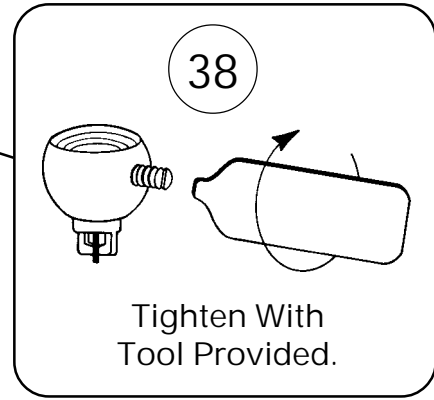
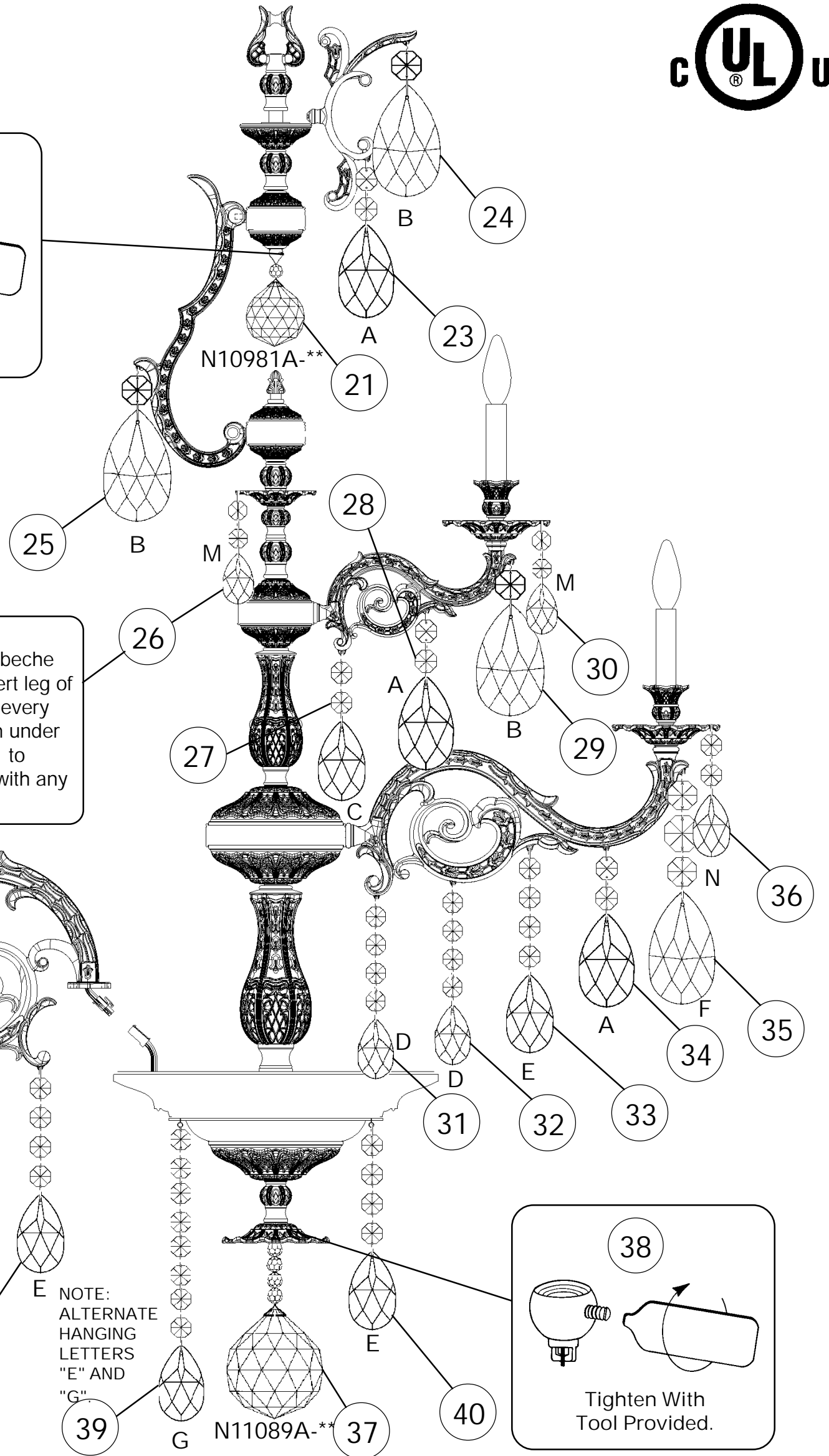


Tighten With
Tool Provided.

Note:
When trimming bobèche
with letter "M", insert leg of
top connector into every
other pin hole from under
bobèche. (Similar to
Diagram #1; start with any
pin hole.)



NOTE:
ALTERNATE
HANGING
LETTERS
"E" AND
"G"



Tighten With
Tool Provided.