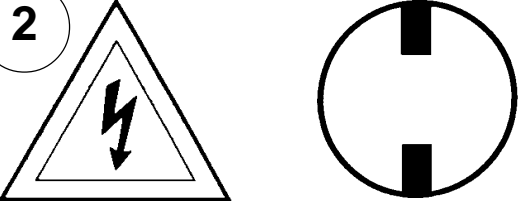


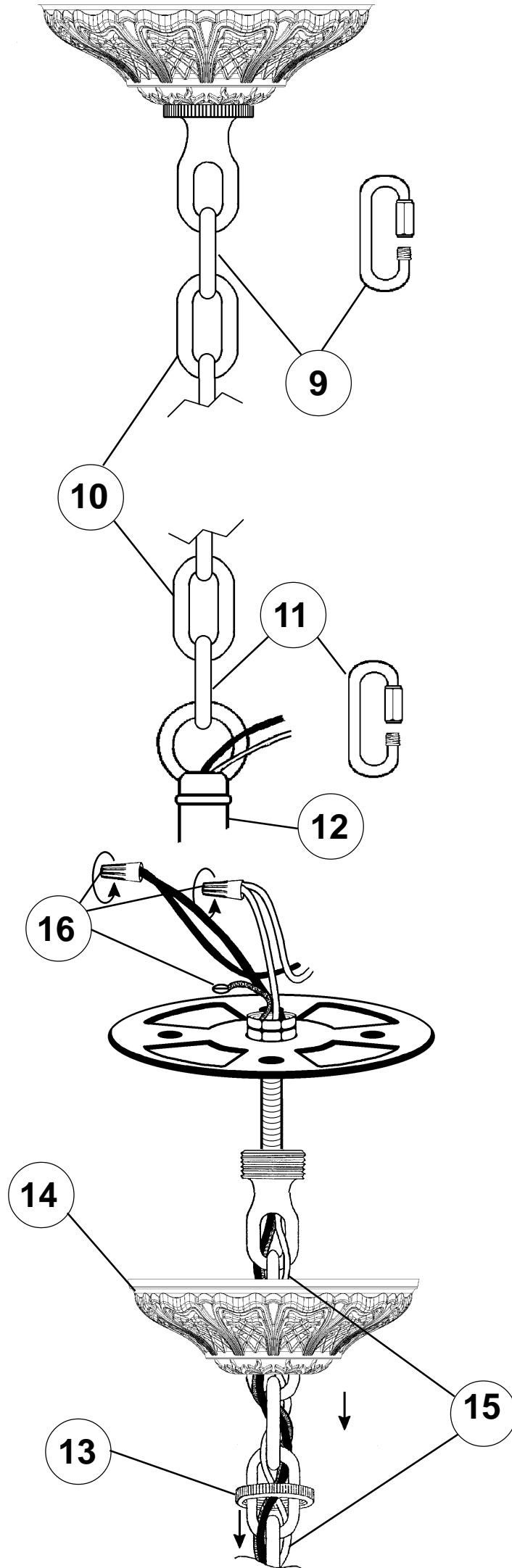
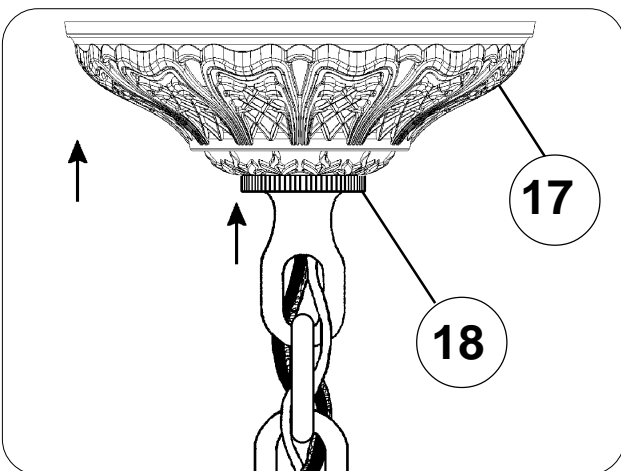
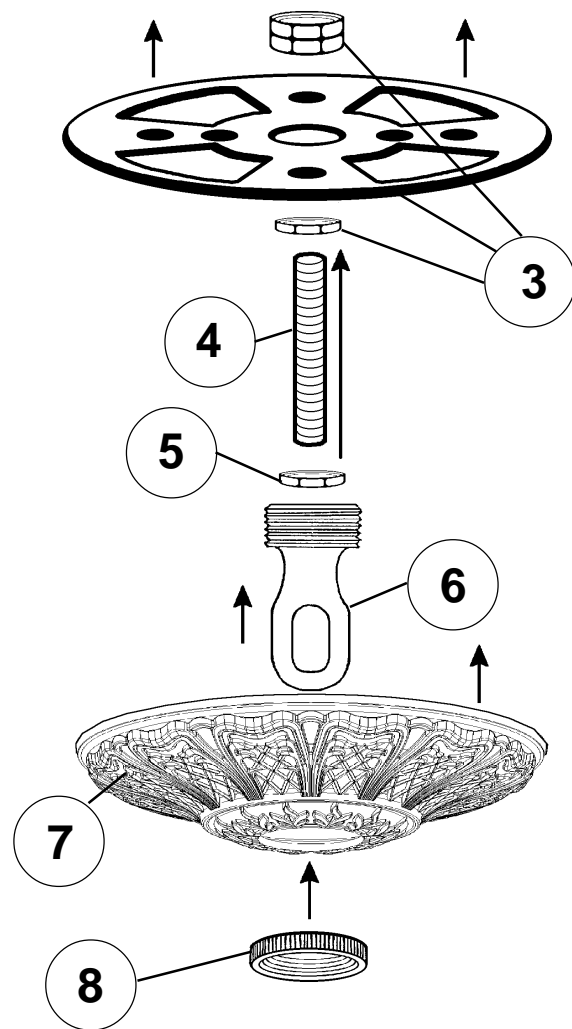
**Instructions for electrician
STEPS 2 - 18**

WARNING:



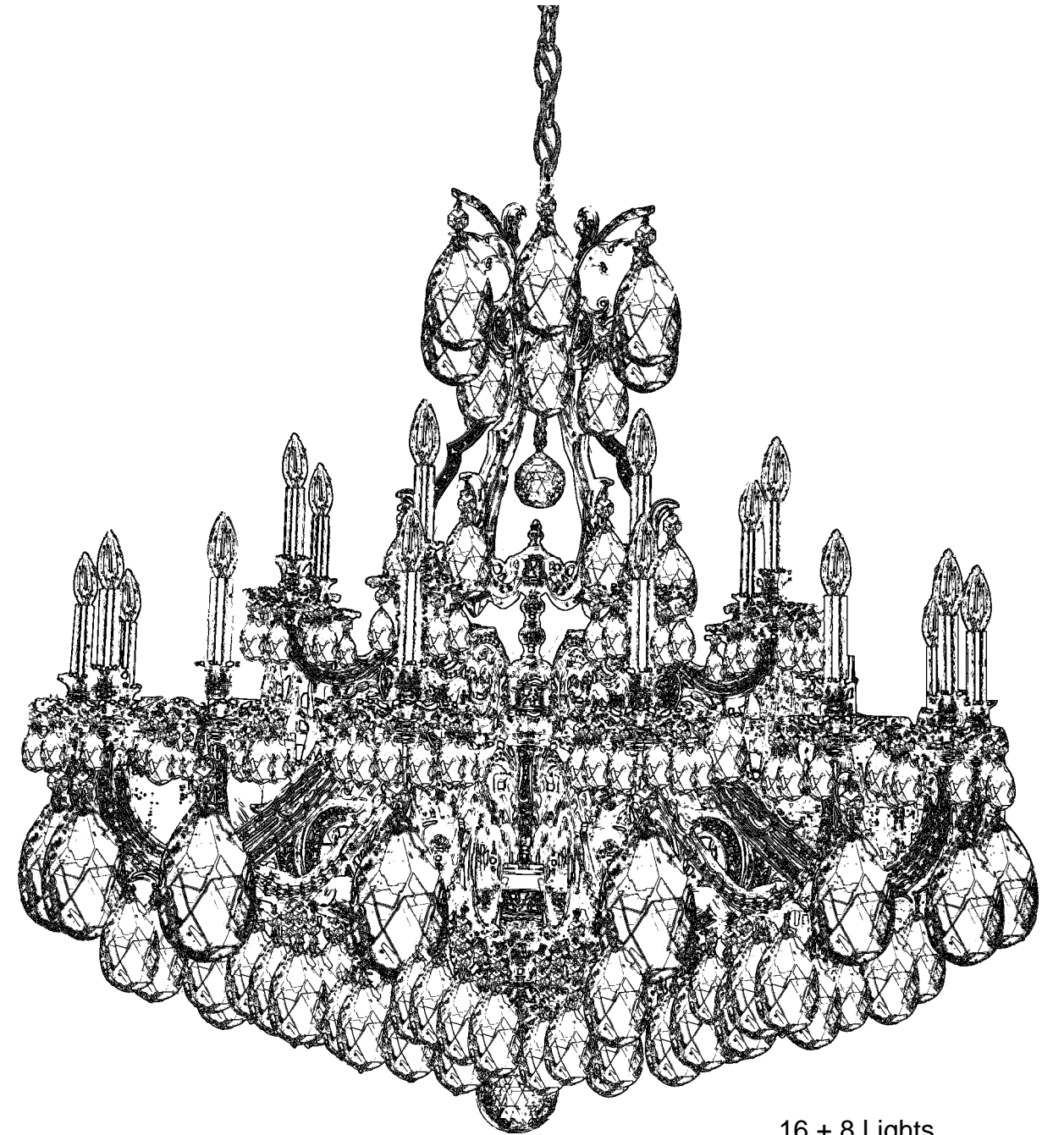
2 Electrical Danger Turn Power Off

All electrical components must be installed by a licensed electrician in accordance with the National Electric Code and the appropriate local electrical codes.



CHANDELIER 6962- ____ A TRIM DIAGRAM

(Finish Option)



T HIS DESIGN IS THE PROPRIETARY TRADE DRESS/TRADE MARK OF SCHONBEK WORLDWIDE LIGHTING INC.

16 + 8 Lights
Diameter: 50"
Body Length: 47-1/2"
Hanging Weight: 135 lbs.

SCHONBEK®

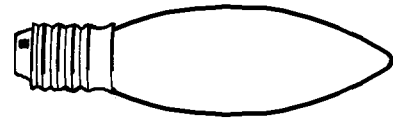
**See diagram on back page
Follow steps in exact order
Save this trim diagram for future reference**

1 **IMPORTANT**
Person who opens carton should record the following information for future service.

CODE # _____ Four-digit number on outside of carton.
PACKER # _____ See crystal package label.
ORDER # _____ See crystal package label.

Instructions for crystal trimming

STEPS 19 - 38



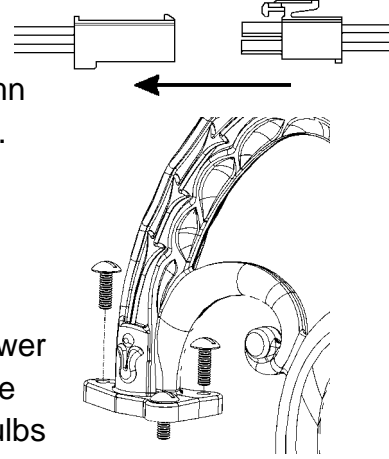
You will need 24 - C10
25 Watts Recommended
60 Watts Max

20

Install bulbs and be sure to test fixture BEFORE trimming.

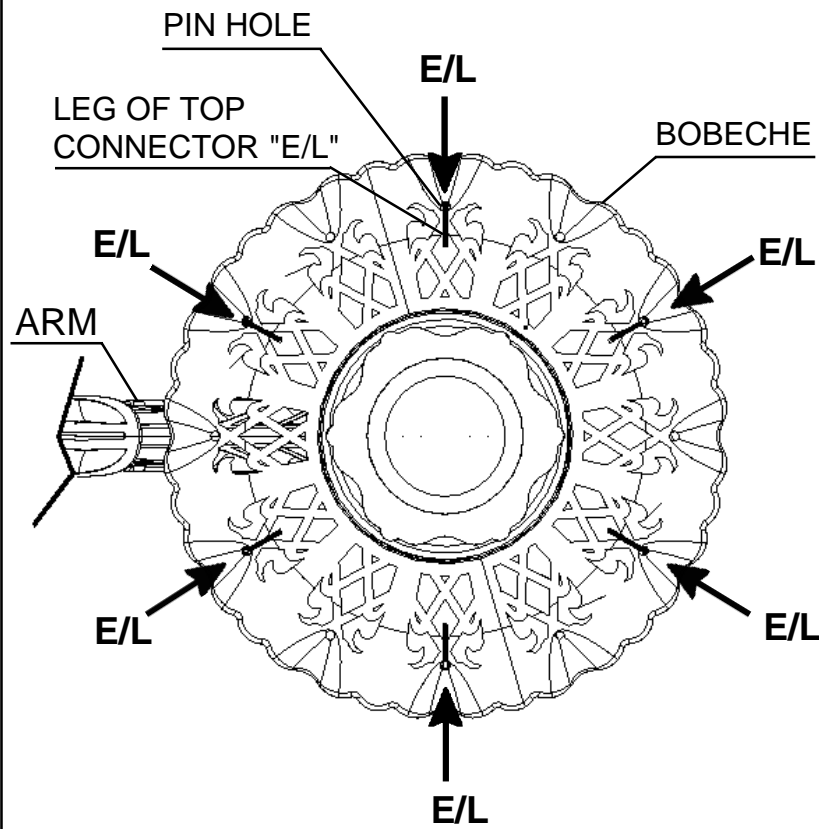
19

Connect arm wires to the center column using plug-in connectors. Screw in three screws per arm. See detailed illustration.



Install bulbs, connect power and test the fixture before trimming. If any of the bulbs do NOT light - DISCONNECT POWER. Double check the wire connections.

DIAGRAM #1



When trimming arm bobèche with letter "E/L", insert leg of top connector into pin hole from under bobèche. Hang in every other pin hole starting on either side of the arm (refer to Diagram #1)

