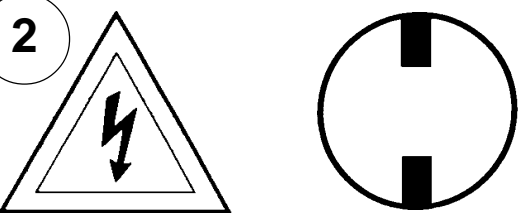


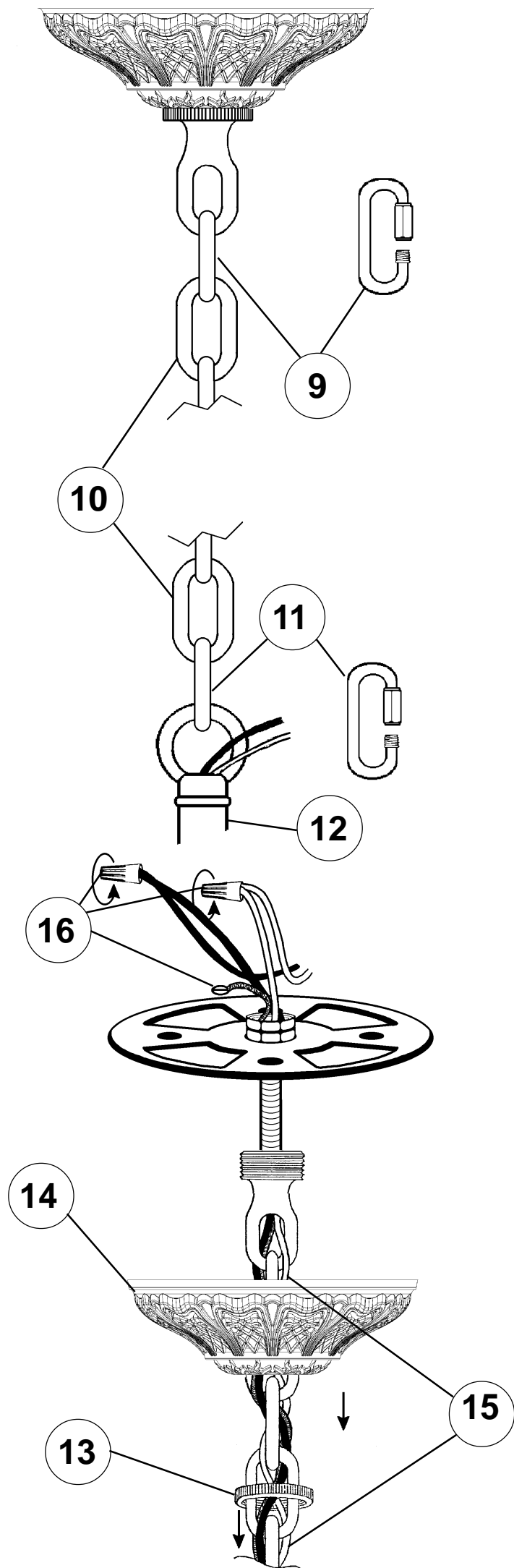
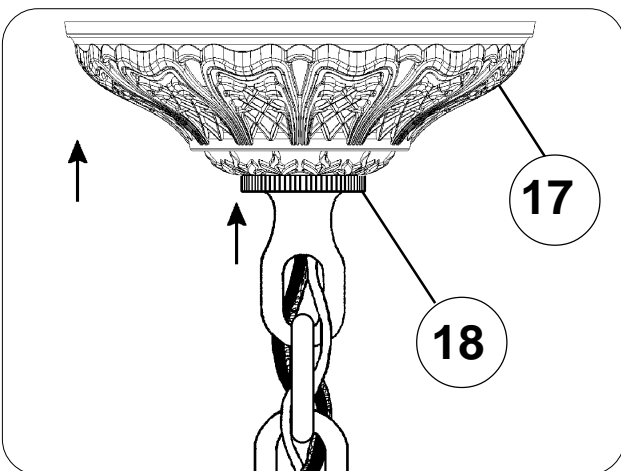
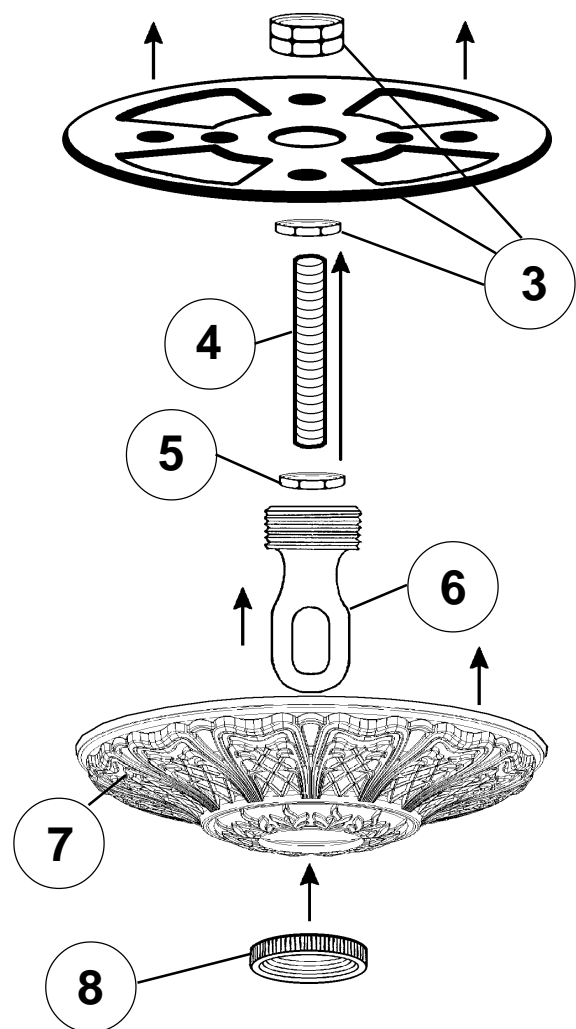
**Instructions for electrician**  
**STEPS 2 - 18**

**WARNING:**



**2** Electrical Danger Turn Power Off

All electrical components must be installed by a licensed electrician in accordance with the National Electric Code and the appropriate local electrical codes.



**CHANDELIER 6960-\_\_\_ \_\_A TRIM DIAGRAM**  
(Finish Option)



12 + 6 Lights  
Diameter: 34-1/2"  
Body Length: 38-1/2"  
Hanging Weight: 51 lbs.

**T** HIS DESIGN IS THE PROPRIETARY TRADE DRESS/TRADE MARK OF SCHONBEK WORLDWIDE LIGHTING INC.

**SCHONBEK®**

**See diagram on back page**  
**Follow steps in exact order**  
**Save this trim diagram for future reference**

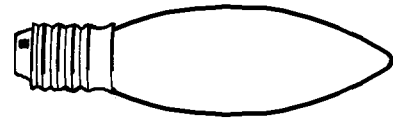
**1** **IMPORTANT**  
*Person who opens carton should record the following information for future service.*

CODE #	_____	Four-digit number on outside of carton.
PACKER #	_____	See crystal package label.
ORDER #	_____	See crystal package label.



# Instructions for crystal trimming

## STEPS 19 - 37

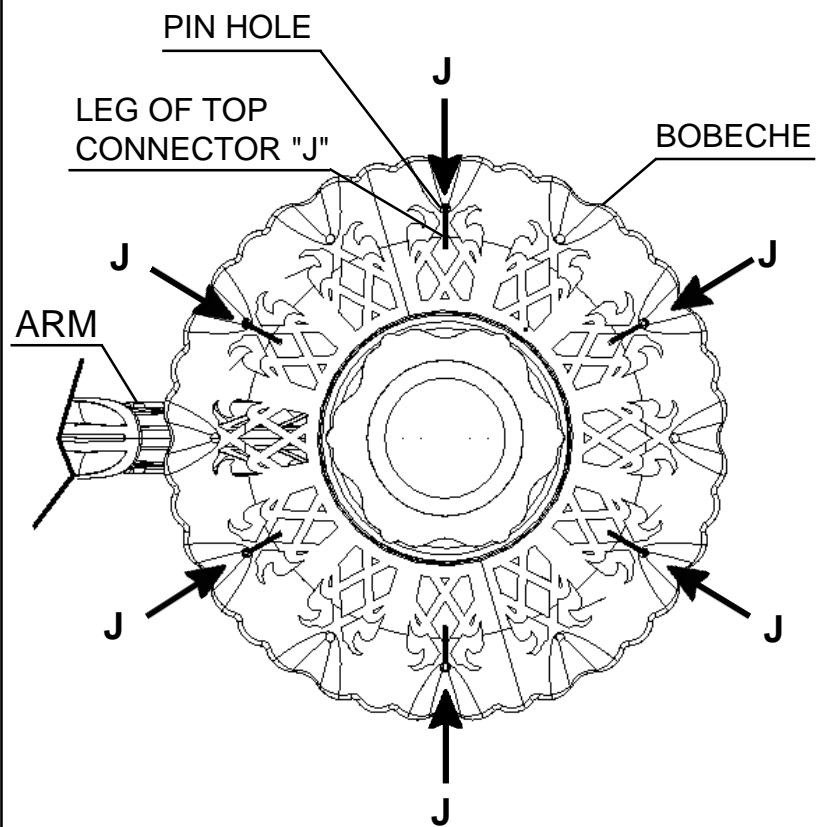


You will need 18 - C10  
25 Watts Recommended  
60 Watts Max

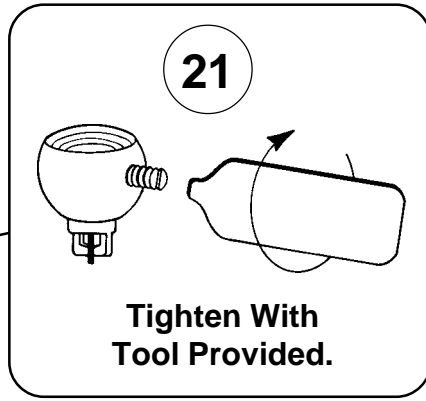
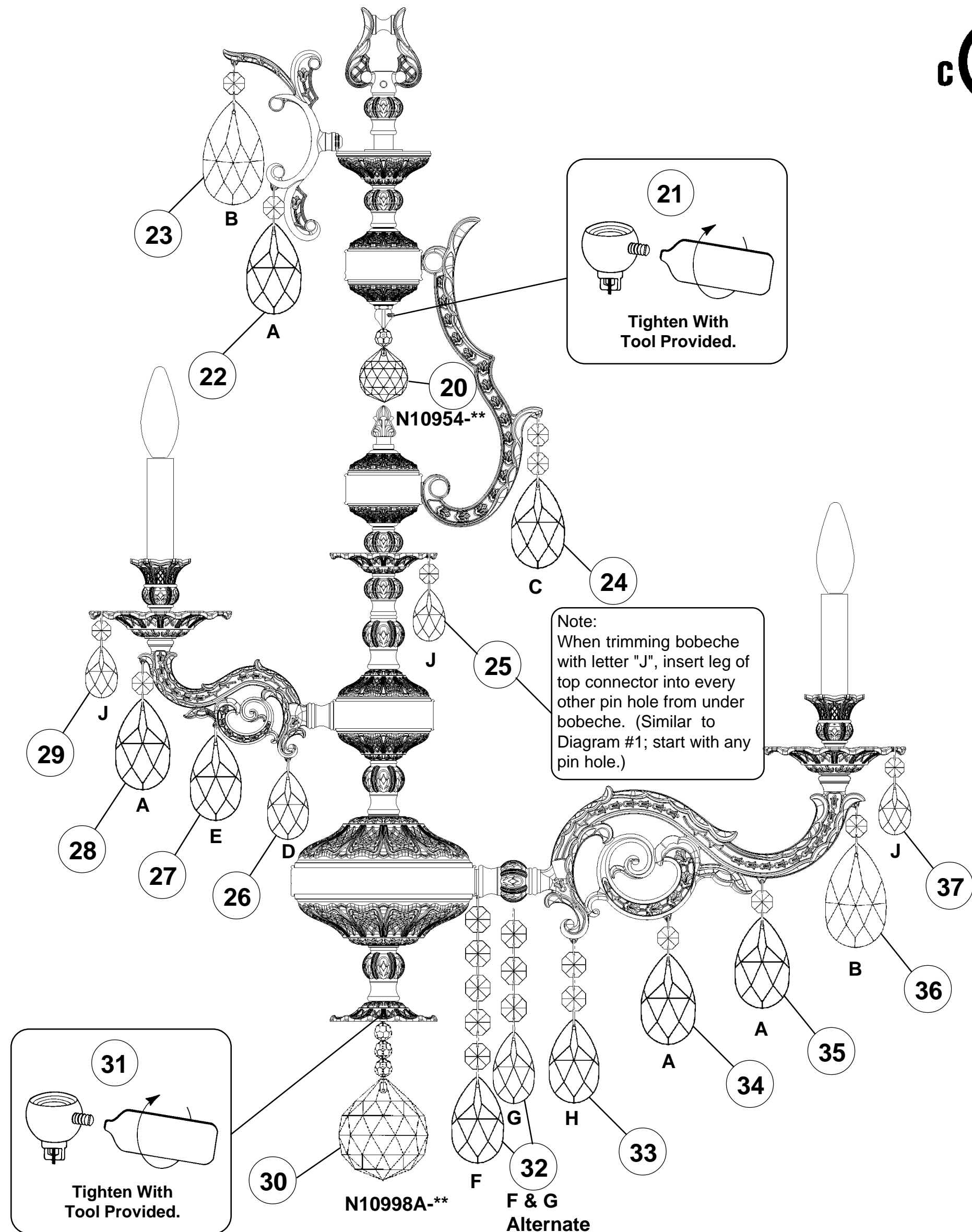
19

Install bulbs and be  
sure to test fixture  
BEFORE trimming.

### DIAGRAM #1



When trimming arm bobecche with letter "J", insert leg of top connector into pin hole from under bobecche. Hang in every other pin hole starting on either side of the arm (refer to Diagram #1)



Note:  
When trimming bobecche  
with letter "J", insert leg of  
top connector into every  
other pin hole from under  
bobecche. (Similar to  
Diagram #1; start with any  
pin hole.)

