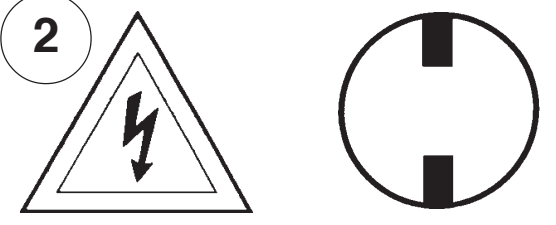


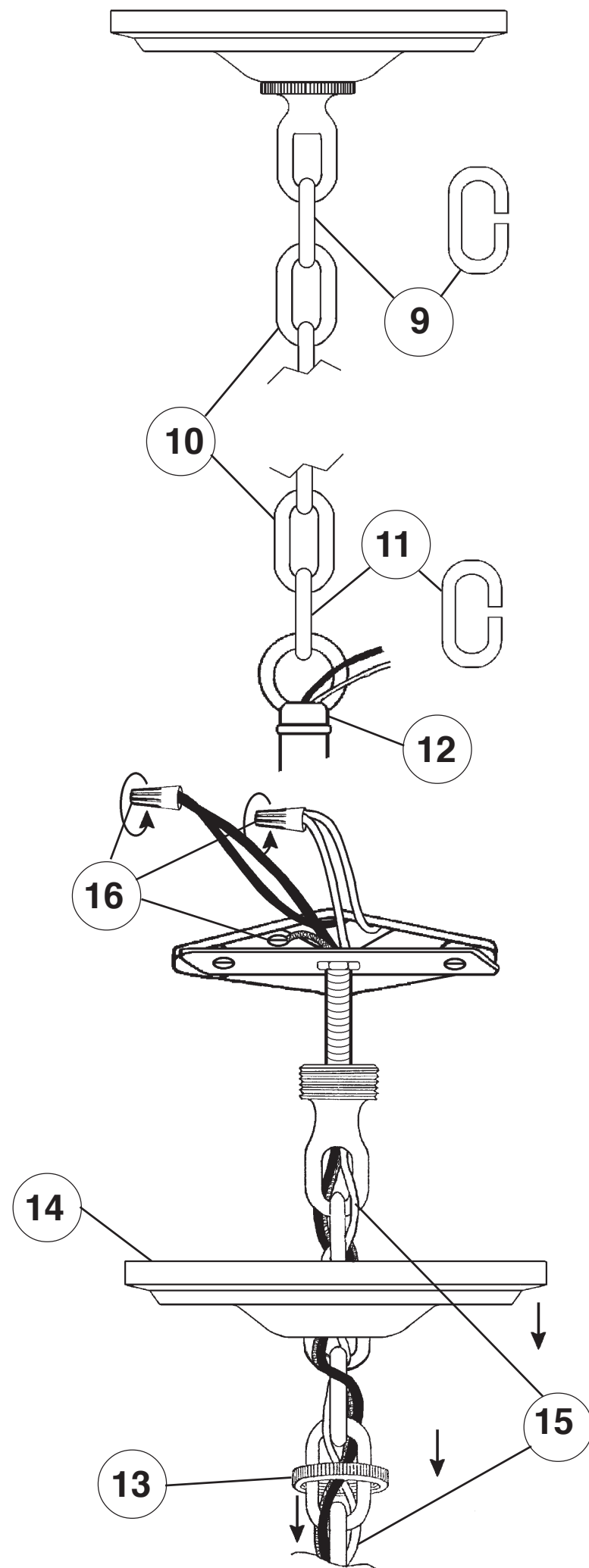
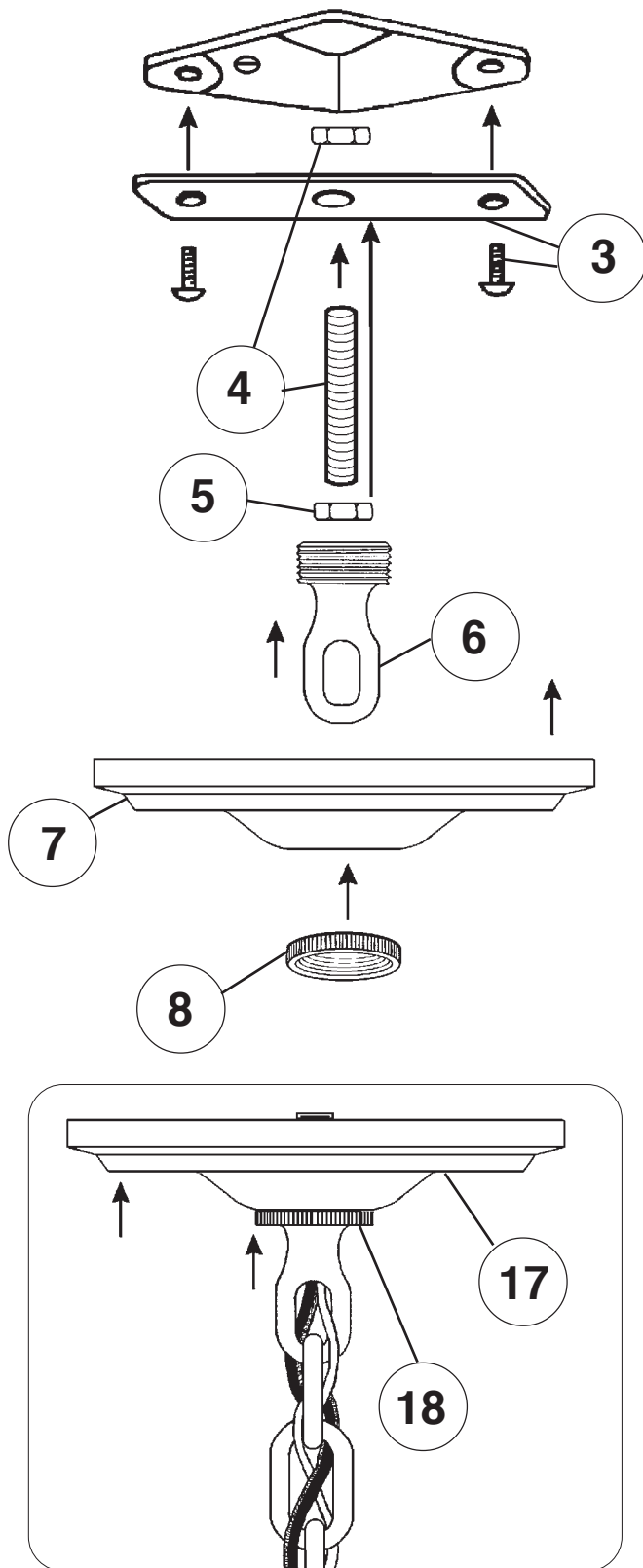
Instructions for electrician
STEPS 2 - 18

WARNING:

2 

Electrical Danger Turn Power Off

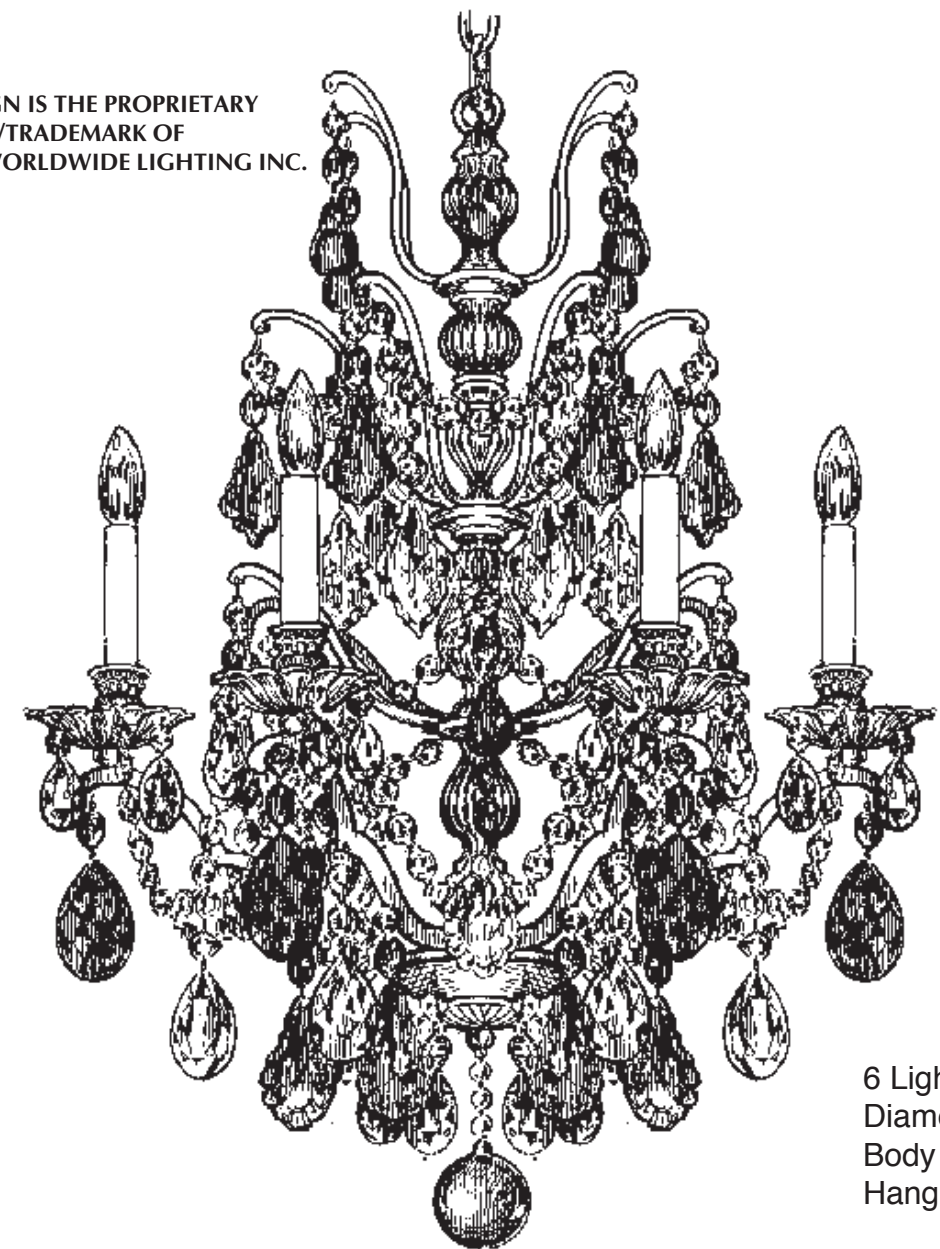
All electrical components must be installed by a licensed electrician in accordance with the National Electric Code and the appropriate local electrical codes.



CHANDELIER 5770-_____ TRIM DIAGRAM

(Finish Option) (Trim Option)

THIS DESIGN IS THE PROPRIETARY TRADE DRESS/TRADEMARK OF SCHONBEK WORLDWIDE LIGHTING INC.



6 Lights
Diameter: 22"
Body Length: 29"
Hanging Weight: 16 lbs.

SCHONBEK®

See diagram on back page
Follow steps in exact order
Save this trim diagram for future reference

1 **IMPORTANT**
Person who opens carton should record the following information for future service.

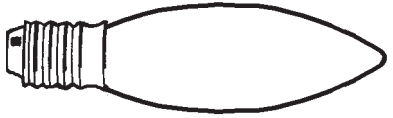
CODE # _____ Four-digit number on outside of carton.
PACKER # _____ See crystal package label.
ORDER # _____ See crystal package label.



SCHONBEK IS A WORLD LEADER IN CHANDELIER DESIGN. PATENTS INCLUDE:
#D5,222,805

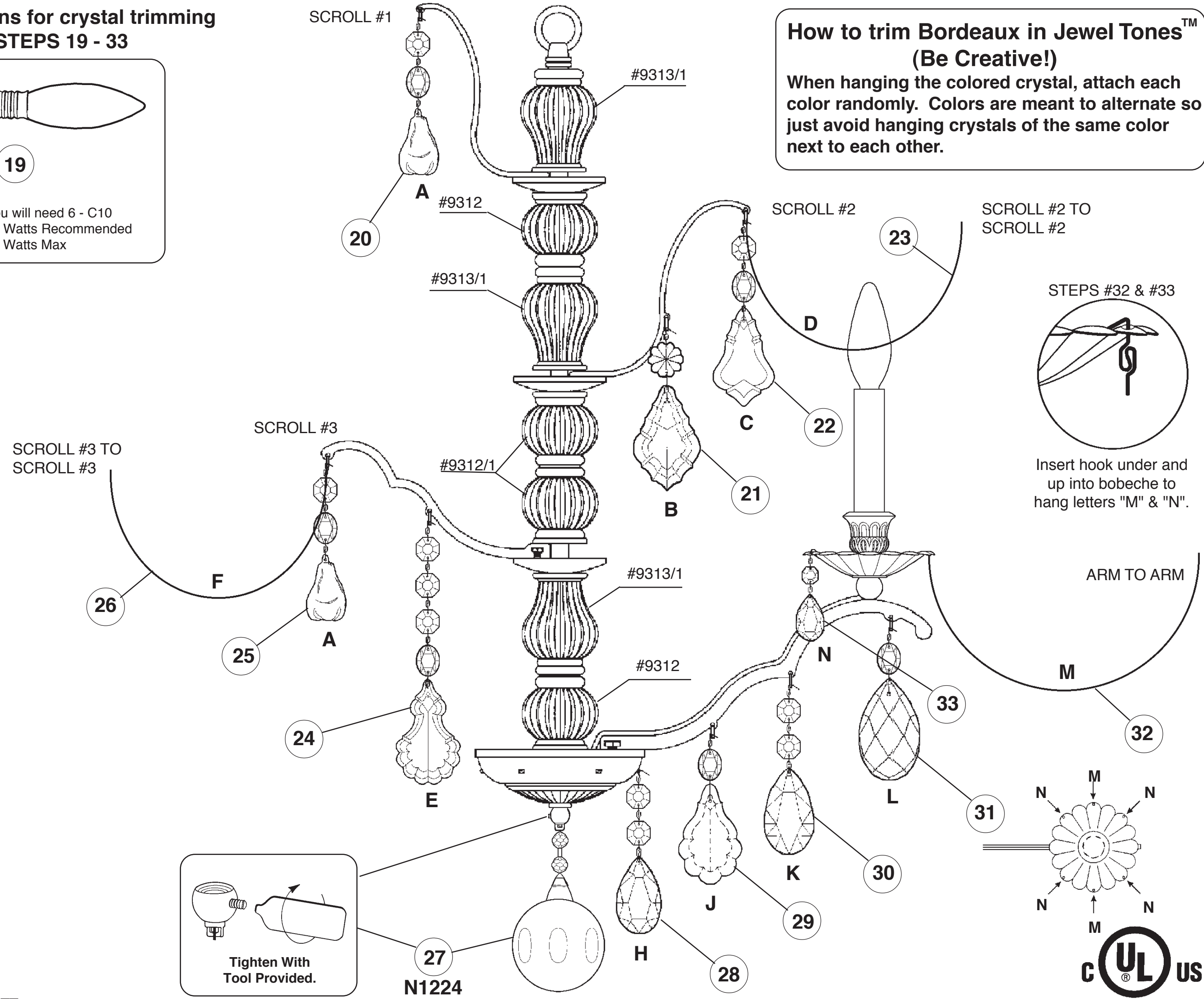
Instructions for crystal trimming
STEPS 19 - 33

19

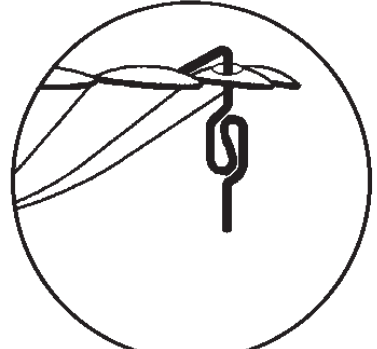


You will need 6 - C10
25 Watts Recommended
60 Watts Max

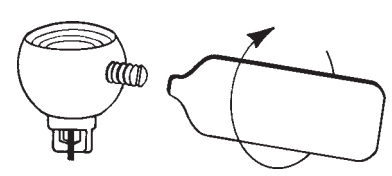
**How to trim Bordeaux in Jewel Tones™
(Be Creative!)**
When hanging the colored crystal, attach each color randomly. Colors are meant to alternate so just avoid hanging crystals of the same color next to each other.



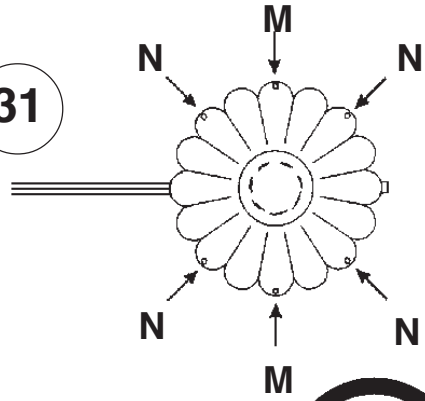
STEPS #32 & #33



Insert hook under and up into bobèche to hang letters "M" & "N".



Tighten With Tool Provided.



31

M, N, M, N

