



**SCHONBEK®**

**BORDEAUX 5768- \_\_\_\_\_**



**T**HIS DESIGN IS THE PROPRIETARY TRADE DRESS/TRADemark OF SWAROVSKI LIGHTING, LTD.

4 Lights  
Diameter: 17-1/2"  
Body Length: 20-1/2"  
Hanging Weight: 10 lbs.

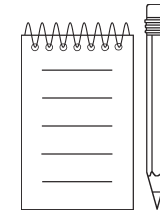
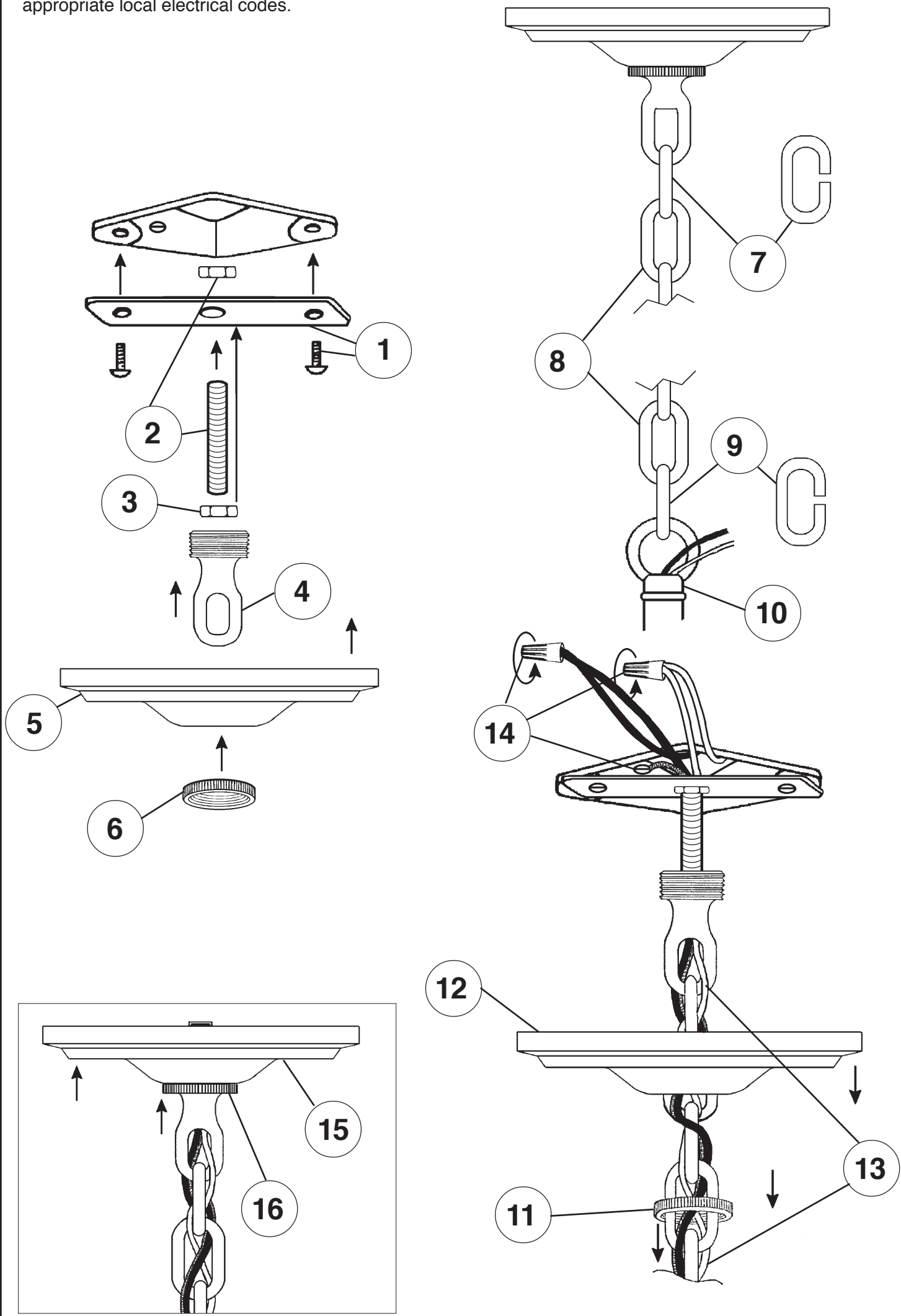


**SCHONBEK®**

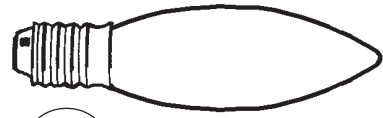
MAX 60 W		110-120 V						

SCHONBEK® is a member of the Swarovski group.

All electrical components must be installed by a licensed electrician in accordance with the National Electric Code and the appropriate local electrical codes.







17

You will need 4 - B10  
25 Watts Recommended  
60 Watts Max

Install bulbs and be sure  
to test fixture **BEFORE**  
trimming.

