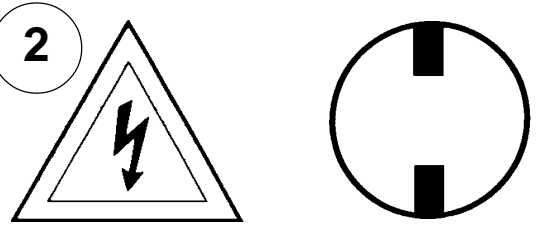


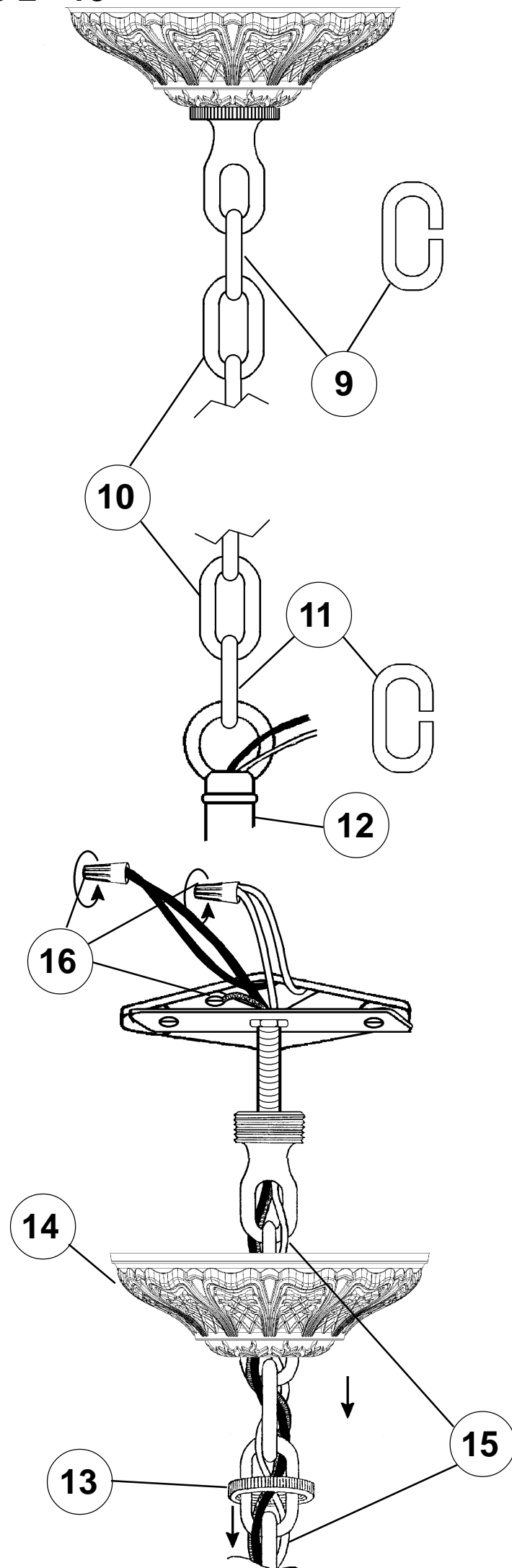
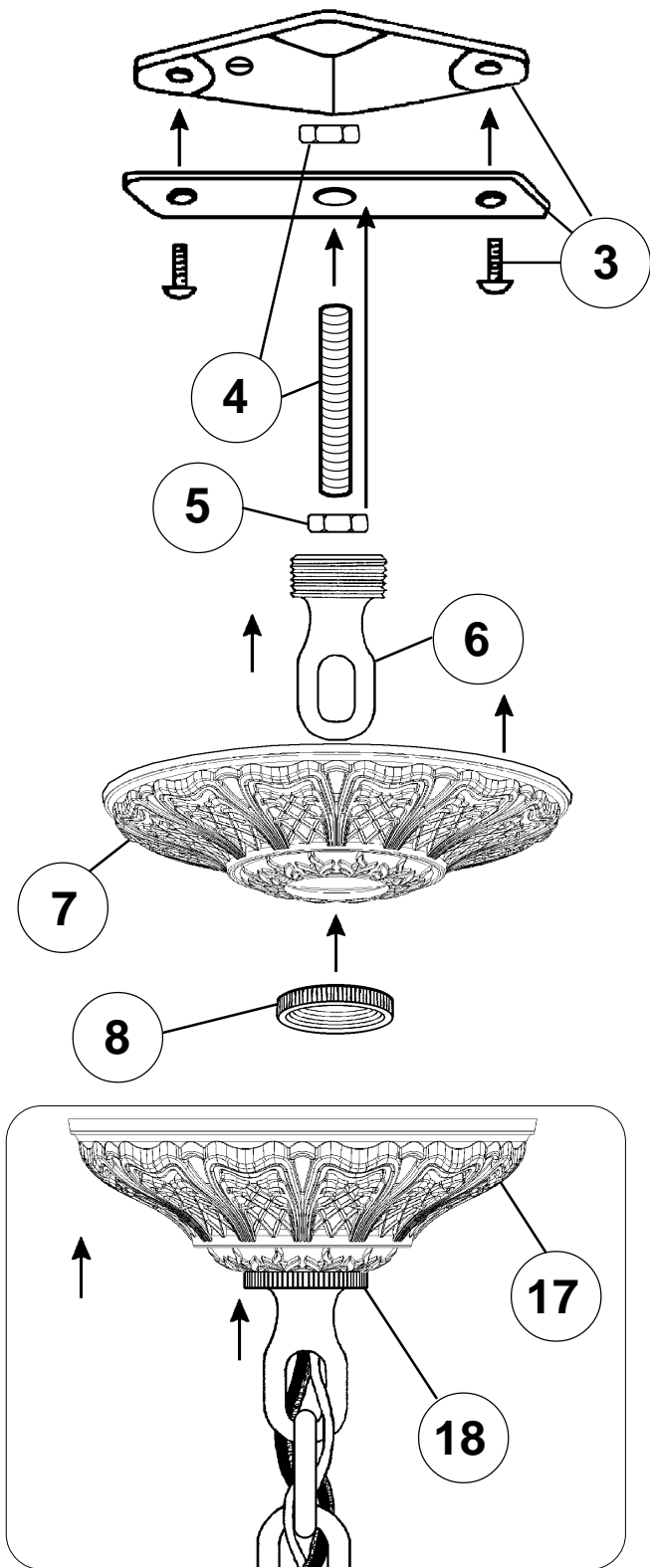
Instructions for electrician
STEPS 2 - 18

WARNING:



2 Electrical Danger Turn Power Off

All electrical components must be installed by a licensed electrician in accordance with the National Electric Code and the appropriate local electrical codes.



CHANDELIER 5691- _____ **TRIM DIAGRAM**
(Finish Option) (Trim Option)



6 + 3 Lights
Diameter: 23"
Body Length: 27"
Hanging Weight: 18lbs.

THIS DESIGN IS THE PROPRIETARY TRADE DRESS/TRADEMARK OF SCHONBEK WORLDWIDE LIGHTING INC.

SCHONBEK®

See diagram on back page
Follow steps in exact order
Save this trim diagram for future reference

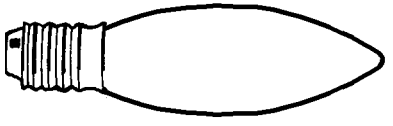
IMPORTANT

1 Person who opens carton should record the following information for future service.

CODE #	_____	Four-digit number on outside of carton.
PACKER #	_____	See crystal package label.
ORDER #	_____	See crystal package label.



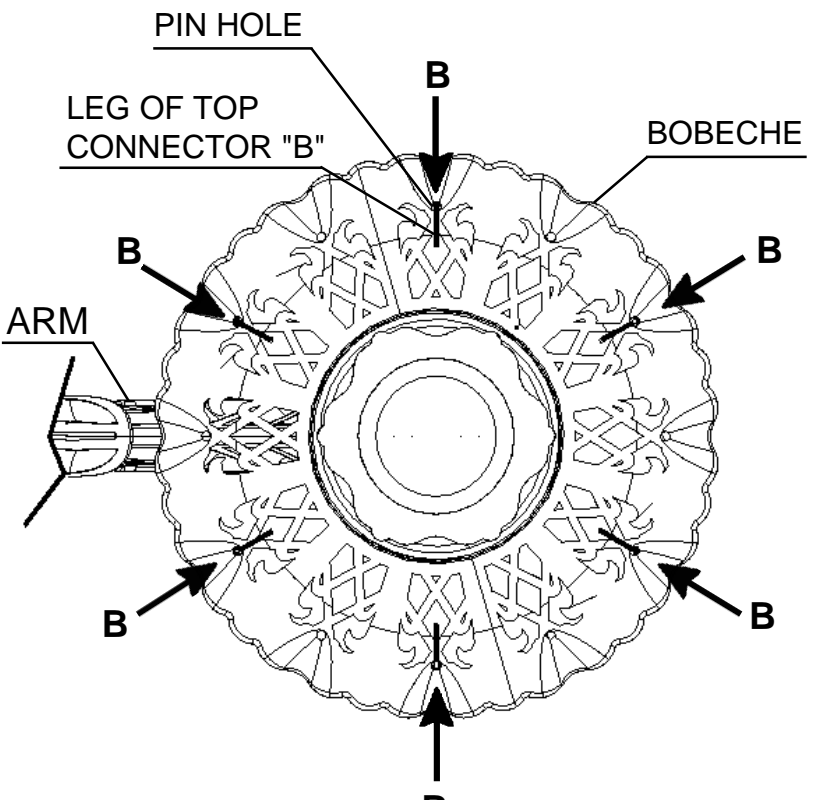
Instructions for crystal trimming STEPS 19 - 28



You will need 9 - B10
25 Watts Recommended
60 Watts Max

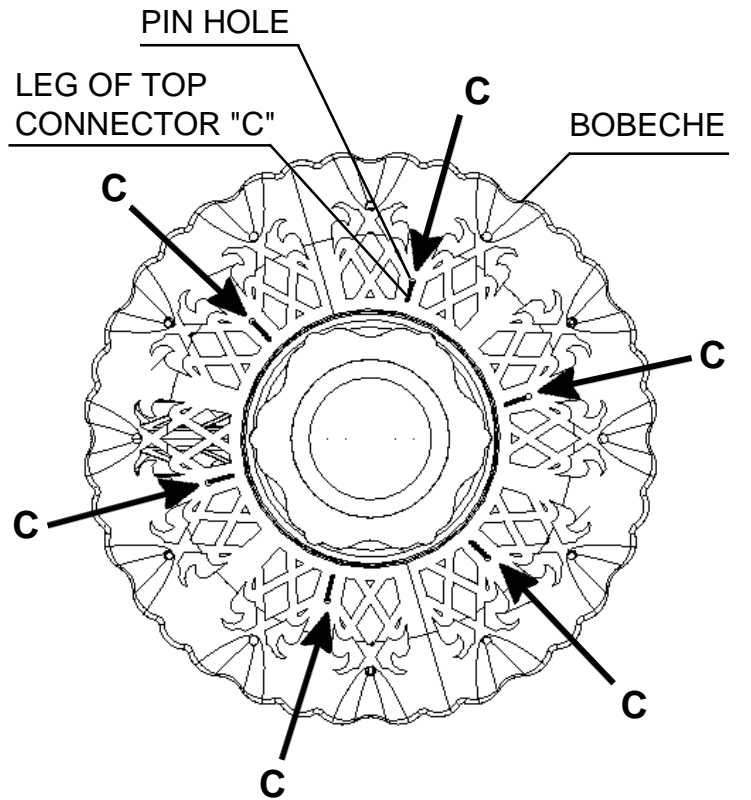
Install bulbs and be sure to test fixture BEFORE trimming.

DIAGRAM #1



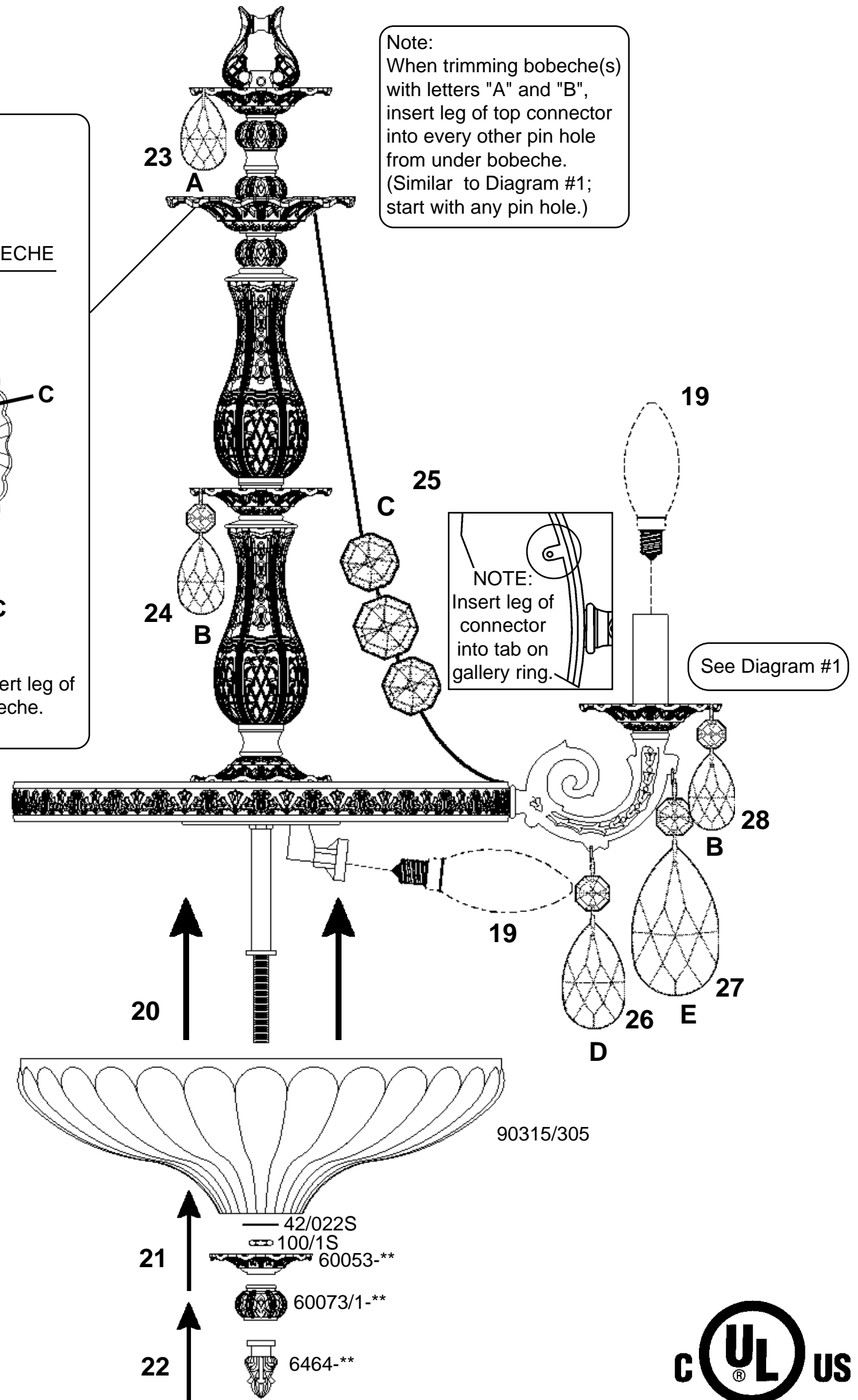
When trimming bobèche with letter "B", insert leg of top connector into pin hole from under bobèche. Hang in every other pin hole starting on either side of the arm (refer to Diagram #1)

DIAGRAM #2



When trimming bobèche with letter "C", insert leg of top connector into pin hole from under bobèche. (refer to Diagram #2)

Note:
When trimming bobèche(s) with letters "A" and "B", insert leg of top connector into every other pin hole from under bobèche. (Similar to Diagram #1; start with any pin hole.)



NOTE:
Insert leg of connector into tab on gallery ring.

See Diagram #1

90315/305

42/022S
100/1S
60053-**
60073/1-**
6464-**

