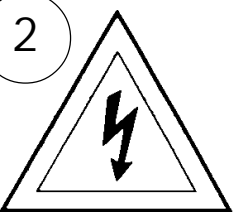


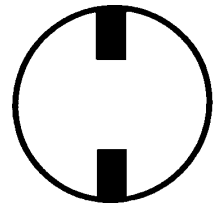
Instructions for electrician STEPS 2 - 18

WARNING: THIS LUMINAIRE MUST BE MOUNTED OR SUPPORTED INDEPENDENTLY OF AN OUTLET BOX.

WARNING:

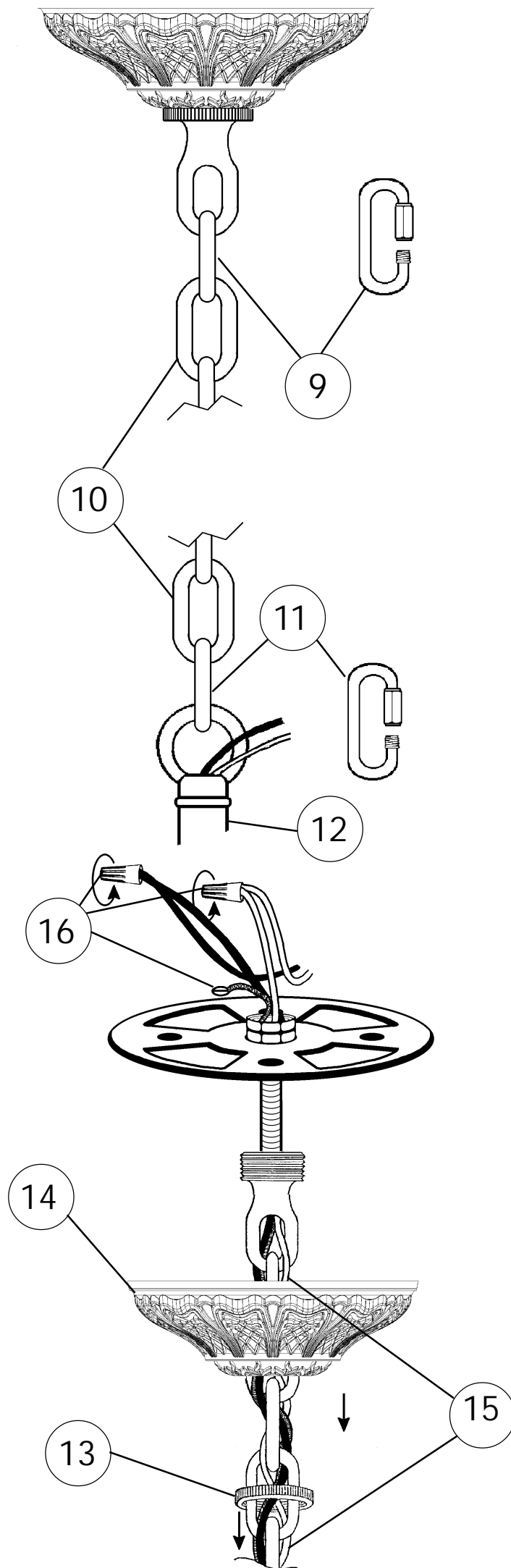
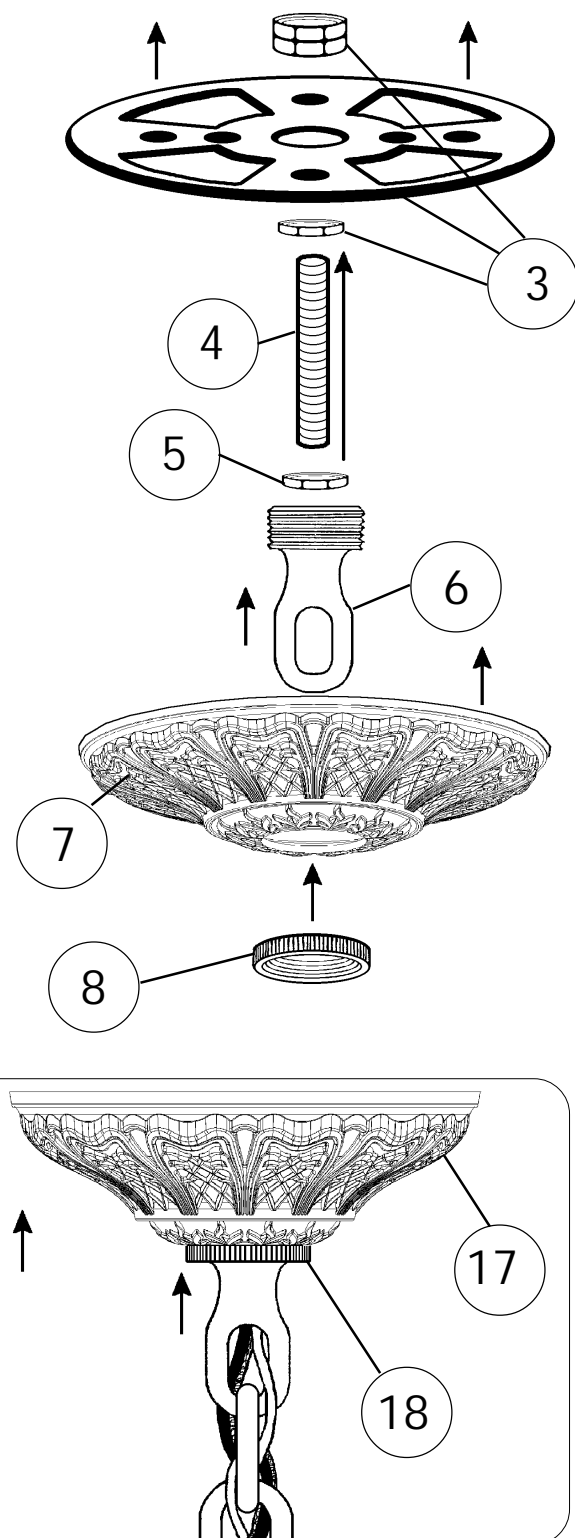


Electrical Danger



Turn Power Off

All electrical components must be installed by a licensed electrician in accordance with the National Electric Code and the appropriate local electrical codes.



CHANDELIER 5685-____A TRIM DIAGRAM

(Finish Option)



THIS DESIGN IS THE PROPRIETARY TRADE DRESS/TRADE MARK OF SCHONBEK WORLDWIDE LIGHTING INC.

10 + 5 Lights
Diameter: 38-1/2"
Body Length: 38"
Hanging Weight: 52 lbs.

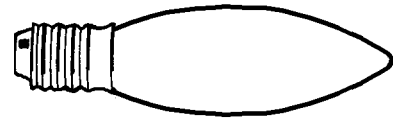
SCHONBEK®

See diagram on back page
Follow steps in exact order
Save this trim diagram for future reference

1 **IMPORTANT**
Person who opens carton should record the following information for future service.
CODE # _____ Four-digit number on outside of carton.
PACKER # _____ See crystal package label.
ORDER # _____ See crystal package label.

Instructions for crystal trimming

STEPS 19 - 35

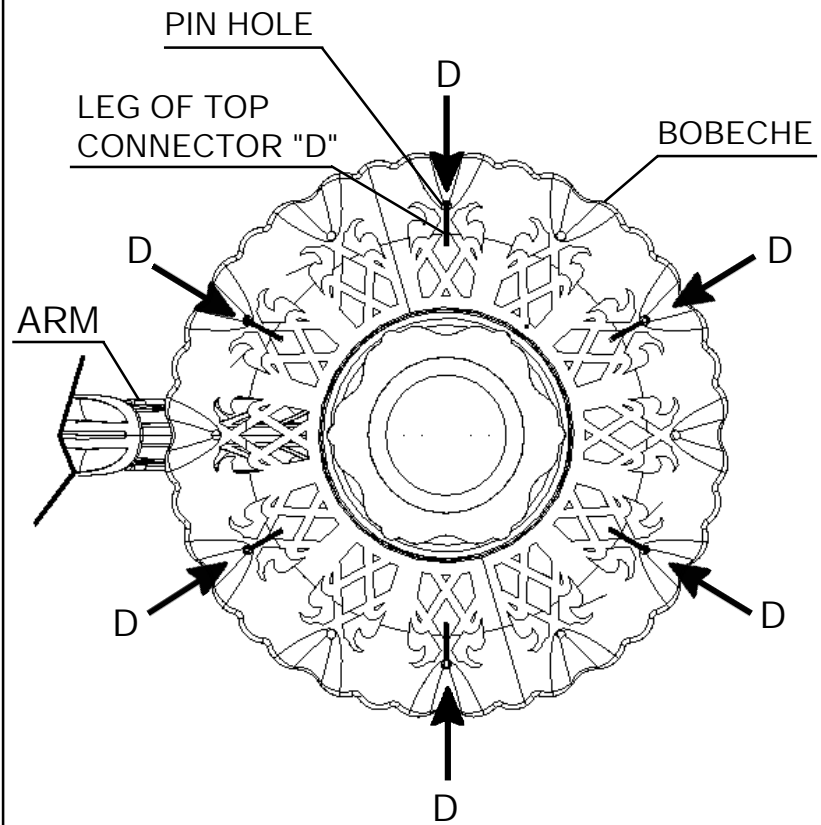


You will need 15 - C10
25 Watts Recommended
60 Watts Max

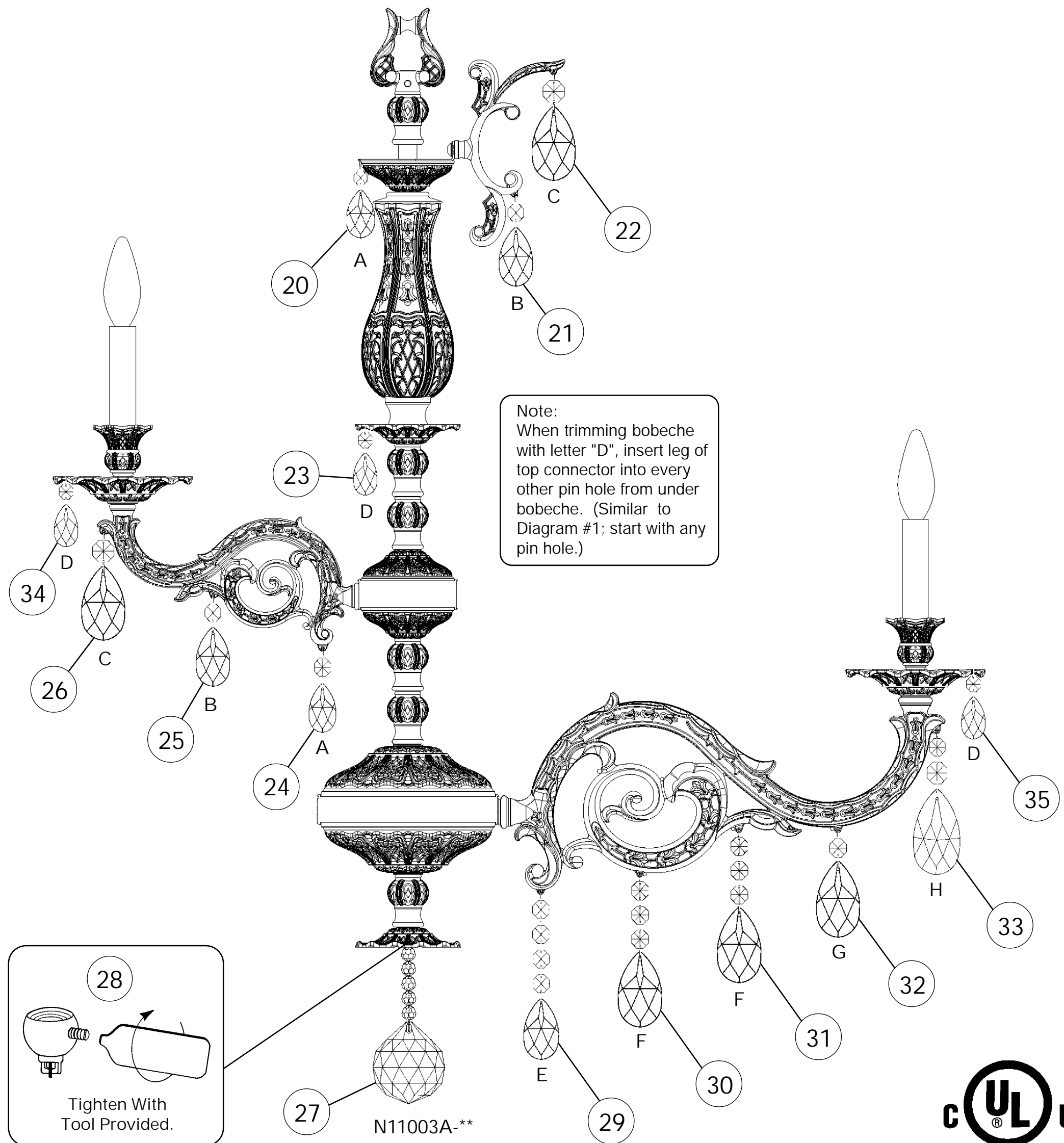
19

Install bulbs and be
sure to test fixture
BEFORE trimming.

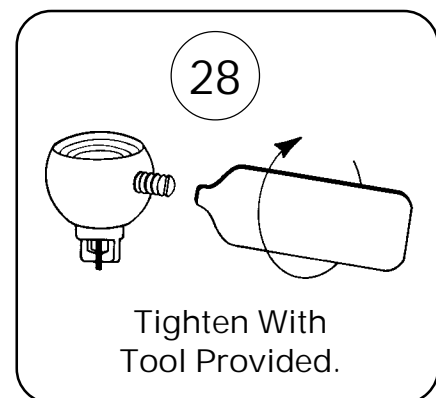
DIAGRAM #1



When trimming bobeche with letter "D", insert leg of top connector into pin hole from under bobeche. Hang in every other pin hole starting on either side of the arm (refer to Diagram #1)



Note:
When trimming bobeche
with letter "D", insert leg of
top connector into every
other pin hole from under
bobeche. (Similar to
Diagram #1; start with any
pin hole.)



Tighten With
Tool Provided.

27

N11003A-**

29

