

CHANDELIER 5505AM TRIM DIAGRAM



THIS DESIGN IS THE PROPRIETARY TRADE DRESS/TRADEMARK OF SCHONBEK WORLDWIDE LIGHTING INC.

6 Lights
Diameter: 22"
Body Length: 33-1/2"

SCHONBEK®

This crystal chandelier was designed and manufactured in Plattsburgh, N.Y. Our high-quality crystal fixtures are made with state-of-the-art manufacturing equipment. If you have any questions about this or any of our more than 250 crystal products, contact your nearest authorized Schonbek distributor.

CAUTION... RISK OF ELECTRICAL SHOCK. Make sure the electrical supply to the chandelier is turned off at the main fuse or circuit breaker before doing any installation. All electrical components must be installed by a licensed electrician in accordance with the National Electric Code and the appropriate local electrical codes.

HANGING WEIGHT: 26 pounds.

BULBS: 6 Candle shaped candelabra base C10 bulbs, recommend 25 watts for best appearance.
60 Watt Maximum

WARNING: This chandelier meets UL/CSA requirements. Any tampering will void UL/CSA certification.

MAINTENANCE:

Use a damp chamois to clean the glass frame.

UNDER NO CIRCUMSTANCES SHOULD METAL POLISHES, CLEANERS, ABRASIVES OR AEROSOL SPRAYS BE USED.

While the latest finishing techniques have been used on the metal frame, such finish cannot be unconditionally guaranteed. The main cause of deterioration, apart from certain atmospheric conditions, is improper cleaning.

To clean the crystals, polish with a soft, damp chamois.

You are cleaning delicate crystal... Take the greatest care.

IMPORTANT:

Do not clean crystals in a dishwasher. The finish of the metal clips and hangers will be ruined and the crystals may be damaged.

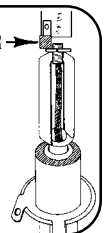
IMPORTANT
Please record the following information for future service.

CODE	# _____	Four-digit number on outside of carton.
PACKER	# _____	See crystal package label.
ORDER	# _____	See crystal package label.

CAUTION: Glass parts are fragile. COLOR → To avoid breakage use care when assembling or cleaning.

WHEN ORDERING REPLACEMENT ARM(S):

- Give arm number from trim diagram
- Give color code from the arm itself



1 MAKE SURE THAT POWER TO THE OUTLET BOX IS DISCONNECTED!!
IMPORTANT:
 NEUTRAL WIRE IS WHITE
 GROUND WIRE IS BARE OR GREEN

4 Insert stem wire through chain and ceiling loop. Connect wires in outlet box. Fixture **MUST** be grounded.

5 Check distance from ceiling to loop to assure canopy assembly will be flush against ceiling.

6 Attach canopy to ceiling with screw collar.

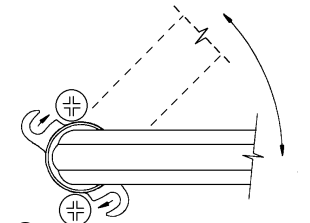
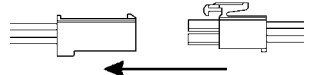
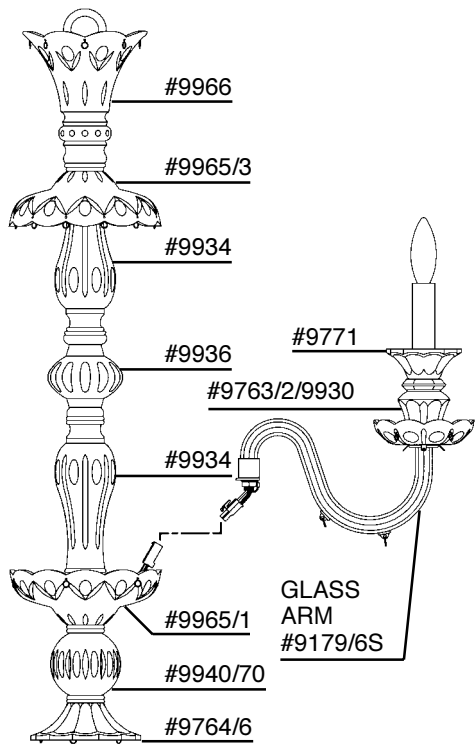
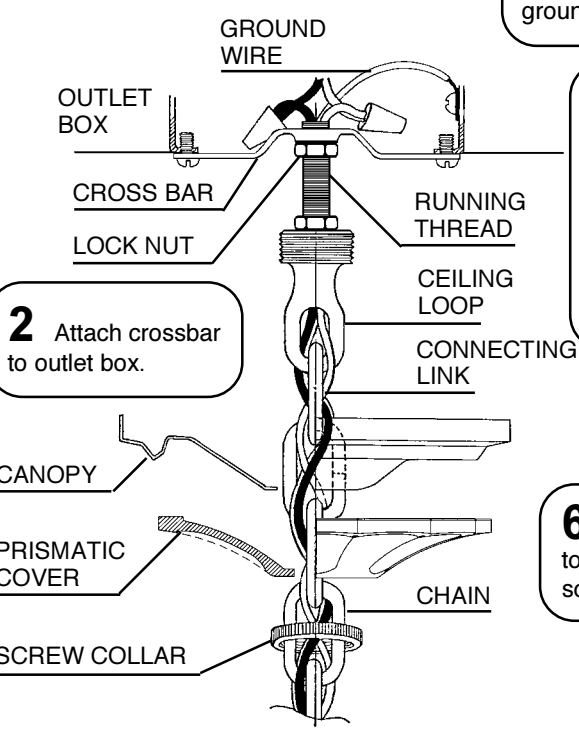
7 Connect arm wires to the center column using plug-in connectors. See detailed illustration.

8 Push wires into hole and attach arm to washer by rotating arm into place. Lock down by tightening screws into flange. See detailed illustration.

9 Install bobeches, bulbs, connect power and test the fixture before trimming. If any of the bulbs do **NOT** light - **DISCONNECT POWER**. Double check the wire connections.

2 Attach crossbar to outlet box.

3 Slip screw collar, prismatic cover and metal canopy over chain. Determine the suspension length of the fixture and cut chain, if necessary. Use two connecting links to attach chain to chandelier loop and ceiling loop.



COLUMN DISH #1

COLUMN DISH #2

COLUMN DISH #3

COLUMN DISH #4

10 Hook Crystal "A" into ring on the column dish #1.

11 Hook Chain "C" into every other ring on the column dish #2. (NOTE: Make sure Chains "C" hang in between arms.) Hook Chain "D" into the loops of Chain "C". Hook the other ends of Chain "D" into the back tab under the bobecche on the arms.

12 Hook Crystal "B" into every other ring on the column dish #2.

19 Hook Crystal "A" into ring on bobecche.

16 Hook Crystal "H" into the inside rings on the lower arm. Hook Crystal "J" into the outside rings on the lower arm.

17 Hook Crystal "K" into the front tab under the bobecche on the arm.

18 Hook Chain "L" into the side tab under the bobecche on the arm. Chain "L" swags between arms.

13 Screw Crystal Ball "E" onto the bottom of the frame. Tighten set screw with allen wrench provided to lock ball into position.

14 Hook Crystal "F" into rings on the column dish #4.

15 Hook Crystal "G" into ring on the column dish #3.

SCHONBEK IS A WORLD LEADER IN CHANDELIER DESIGN. PATENTS INCLUDE: #D5,873,652

