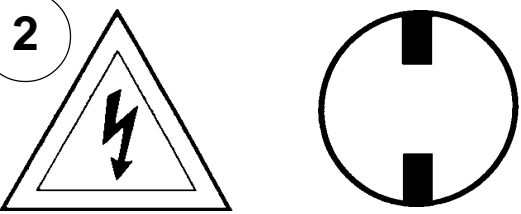


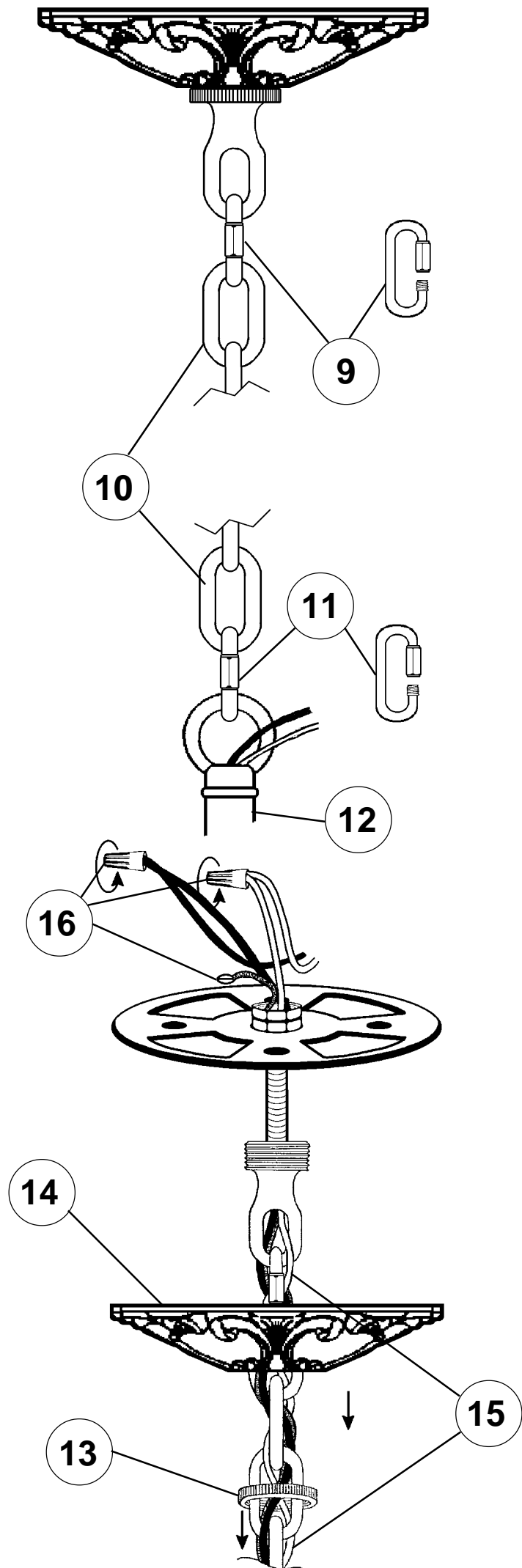
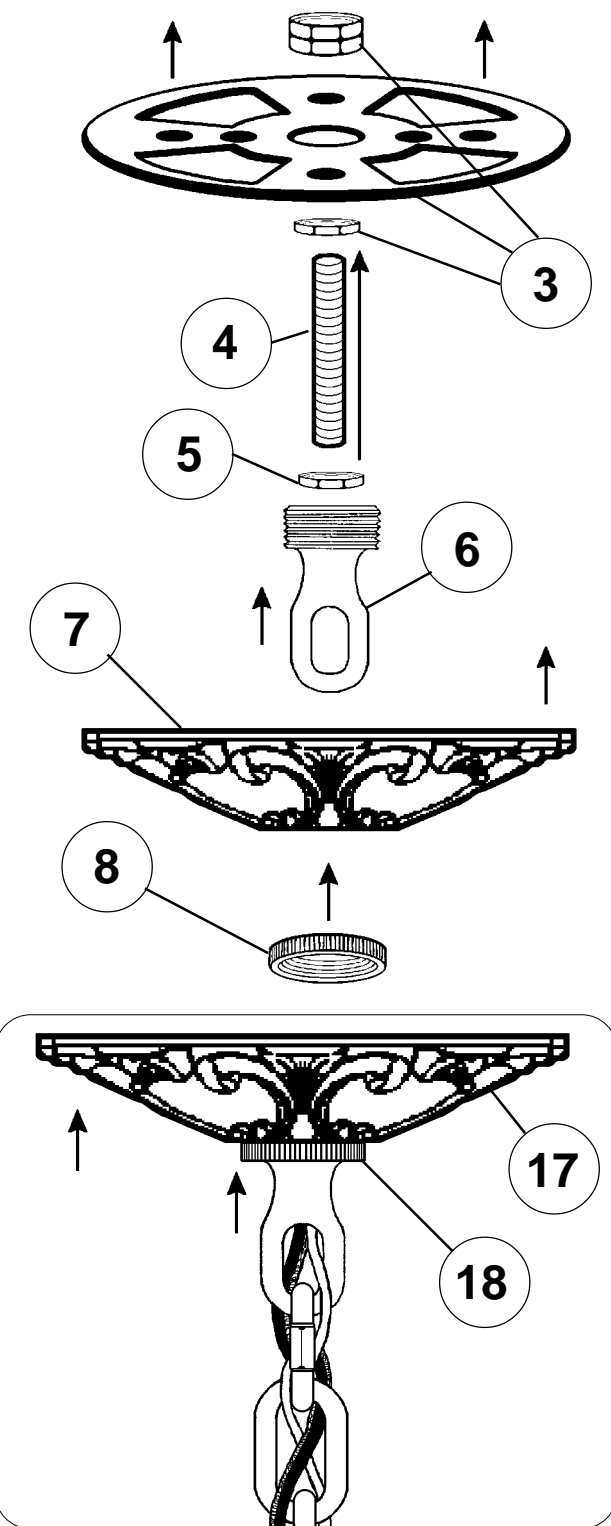
Instructions for electrician  
STEPS 2 - 18

WARNING:



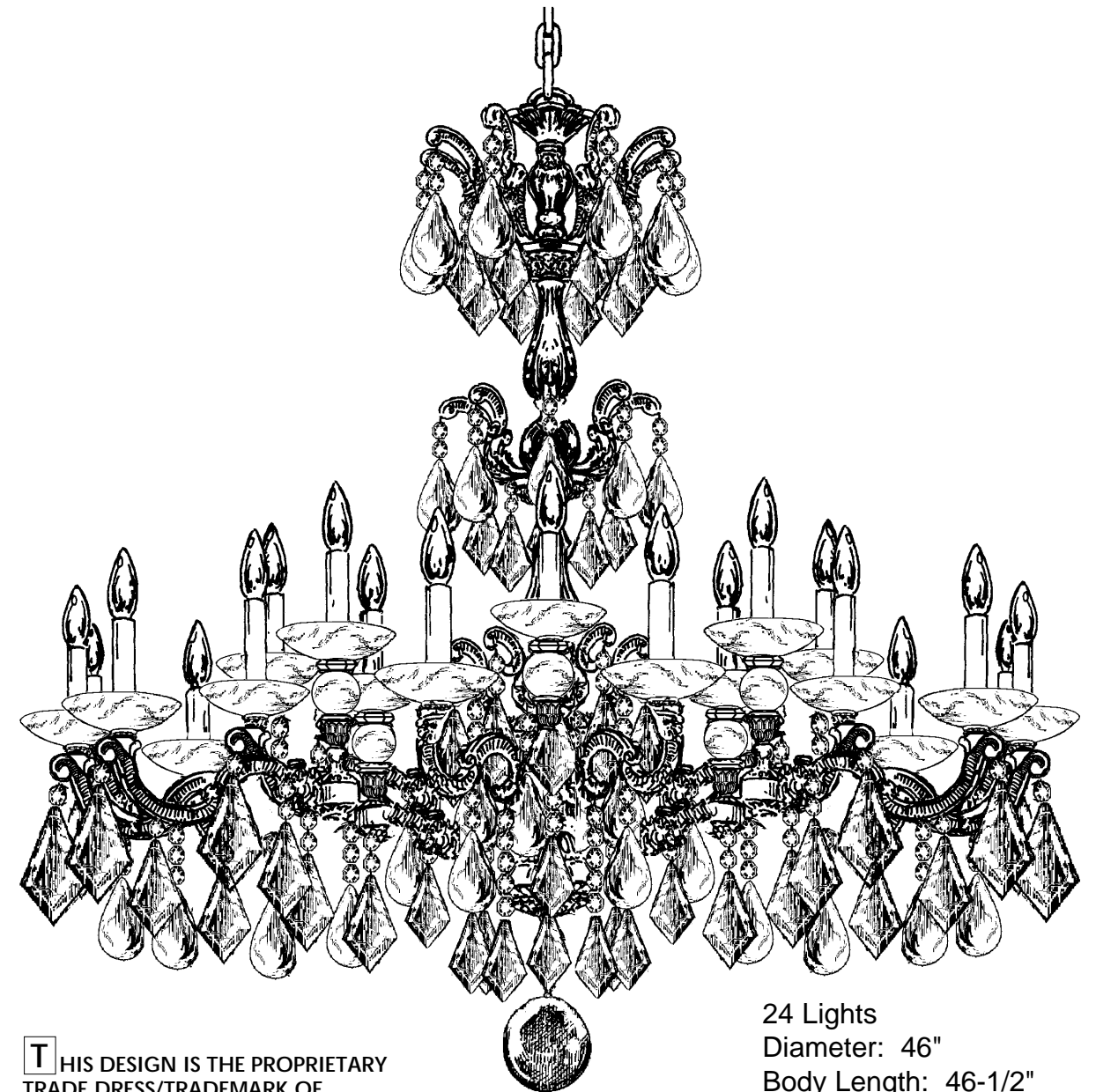
Electrical Danger Turn Power Off

All electrical components must be installed by a licensed electrician in accordance with the National Electric Code and the appropriate local electrical codes.



CHANDELIER 5413-\_\_\_ TRIM DIAGRAM

(Finish Option)



24 Lights  
Diameter: 46"  
Body Length: 46-1/2"  
Hanging Weight: 88 lbs.

THIS DESIGN IS THE PROPRIETARY TRADE DRESS/TRADEMARK OF SCHONBEK WORLDWIDE LIGHTING INC.

**SCHONBEK®**

See diagram on back page  
Follow steps in exact order  
Save this trim diagram for future reference

1

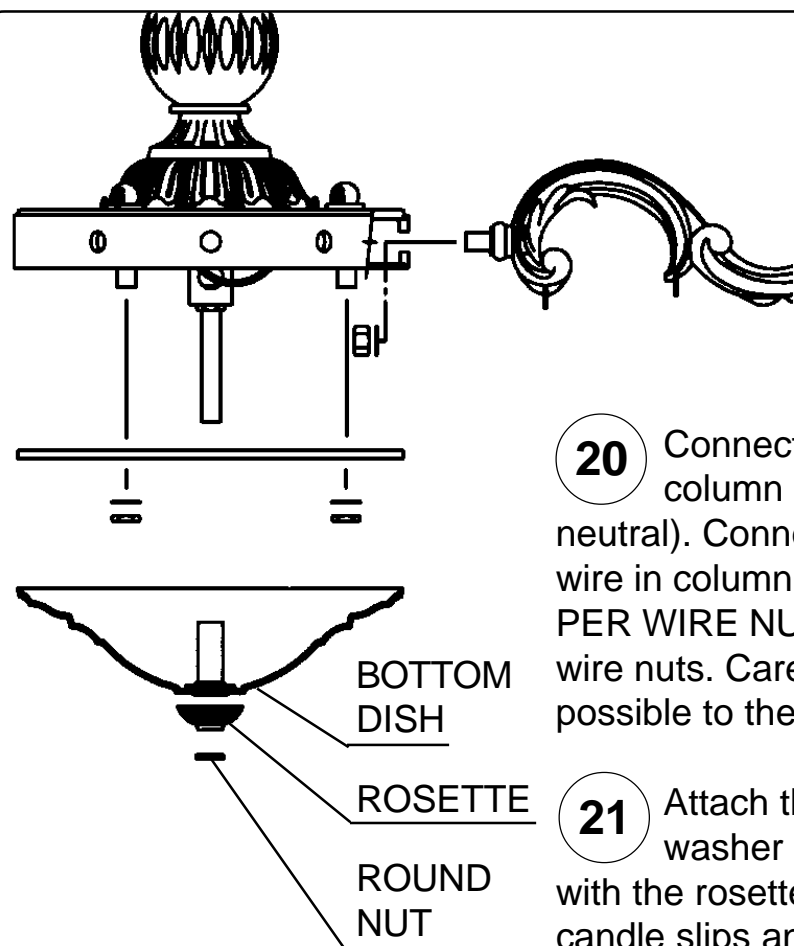
IMPORTANT

Person who opens carton should record the following information for future service.

CODE # \_\_\_\_\_ Four-digit number on outside of carton.  
PACKER # \_\_\_\_\_ See crystal package label.  
ORDER # \_\_\_\_\_ See crystal package label.

SCHONBEK IS A WORLD LEADER IN CHANDELIER DESIGN. PATENTS INCLUDE:  
#D292,620, #D335,362, #D335,546, #D335,716, #D335,720, #D336,537, #D338,082, #D389,264,  
#D338,278, #D339,879, #D345,815, #D373,441, #D374,102, #D374,103, #D374,498, #D382,077,  
#D393,325, #D397,495, #D397,494, #D403,101, #D435,686, #D454,973, #D454,974, #D455,224,  
#D456,940, #D463,602S, #D463,603S, #D464,769S, #D468,480, #2,651,806, #5,104,082, #5,109,325,  
#5,116,009, #5,144,541, #5,205,644, #5,222,805, #5,241,460, #5,255,173, #5,258,900, #5,285,364,  
#5,404,285, #5,460,269, #5,567,046, #5,567,468, #5,573,330, #5,577,838, #5,588,744, #5,873,652,  
#5,906,430, #5,921,668, #6,241,370B1 & #6,712,490B2

**STEPS #2 - #18 ON BACK PAGE**



**19** Use lock washer and nut to secure arms in place.

**20** Connect white arm wires to neutral column wire (ribbed or marked is neutral). Connect black arm wires to power wire in column. **NO MORE THAN 6 - WIRES PER WIRE NUT.** Use electrical tape to secure wire nuts. Carefully press wires as close as possible to the underside of both washers.

**21** Attach the washer with the lock washer and nut. Attach the bottom dish with the rosette and the round nut. Install candle slips and bobeches onto arms.

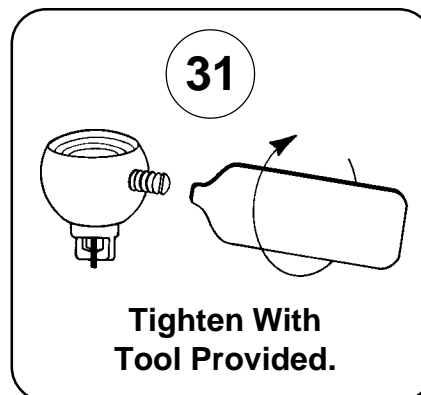
**Instructions for crystal trimming  
STEPS 22 - 36**



You will need 24 - C10  
25 Watts Recommended  
60 Watts Max

**22**

Install bulbs and be sure to test fixture **BEFORE** trimming.



**31**

Tighten With Tool Provided.

