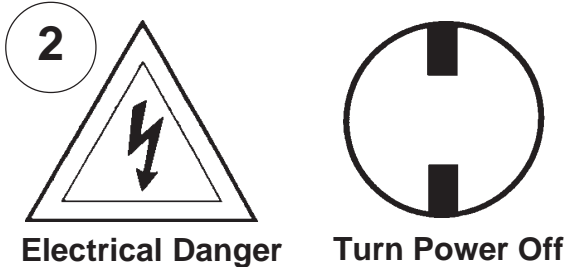
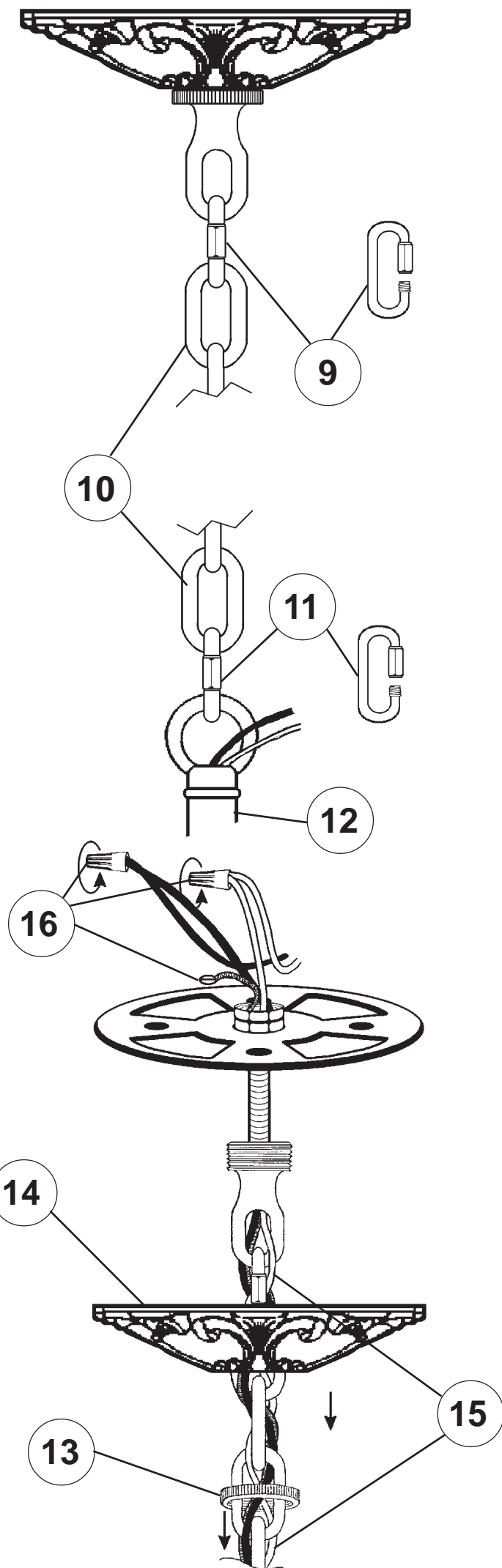
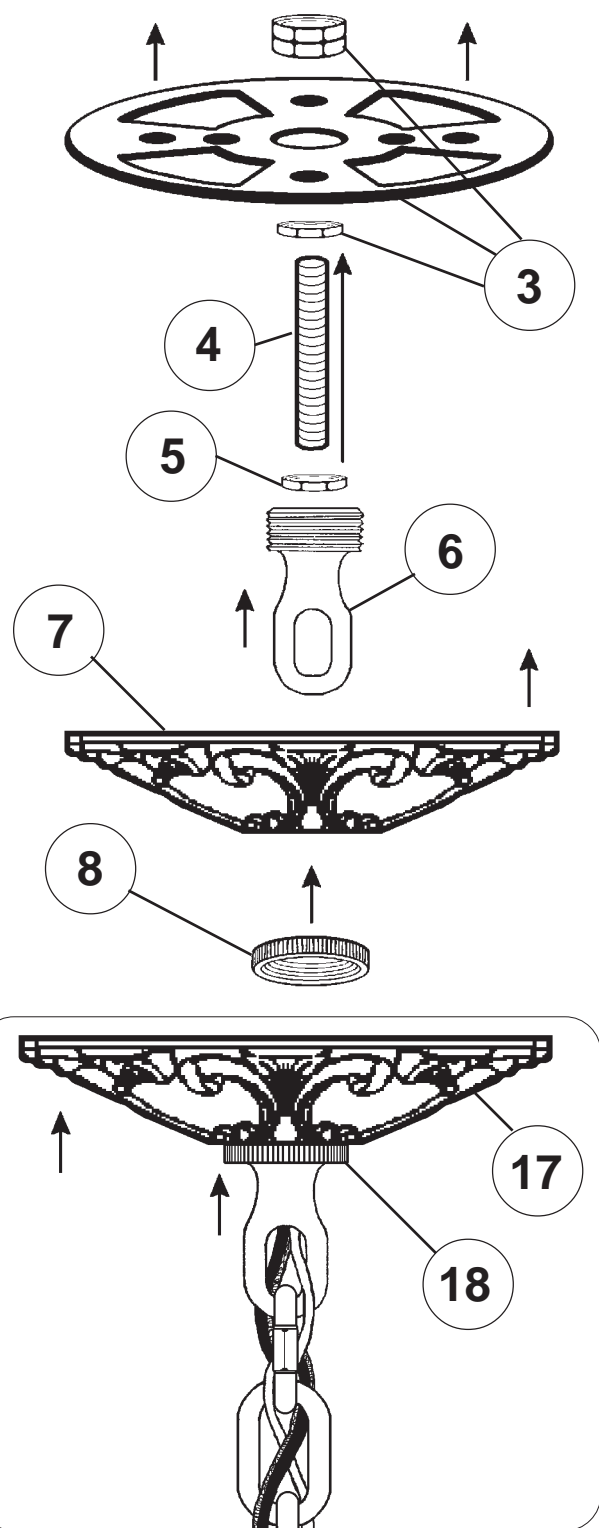


Instructions for electrician
STEPS 2 - 18

WARNING:



All electrical components must be installed by a licensed electrician in accordance with the National Electric Code and the appropriate local electrical codes.



CHANDELIER 5411- ____ TRIM DIAGRAM
(Finish Option)



12 Lights
Diameter: 33"
Body Length: 42-1/2"
Hanging Weight: 58 lbs.

THIS DESIGN IS THE PROPRIETARY TRADE DRESS/TRADEMARK OF SCHONBEK WORLDWIDE LIGHTING INC.

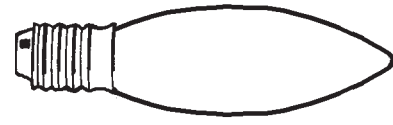
SCHONBEK[®]

See diagram on back page
Follow steps in exact order
Save this trim diagram for future reference

1 **IMPORTANT**
Person who opens carton should record the following information for future service.
CODE # _____ Four-digit number on outside of carton.
PACKER # _____ See crystal package label.
ORDER # _____ See crystal package label.

SCHONBEK IS A WORLD LEADER IN CHANDELIER DESIGN. PATENTS INCLUDE:
#D5,460,269 & #D5,873,652

Instructions for crystal trimming
STEPS 19 - 31



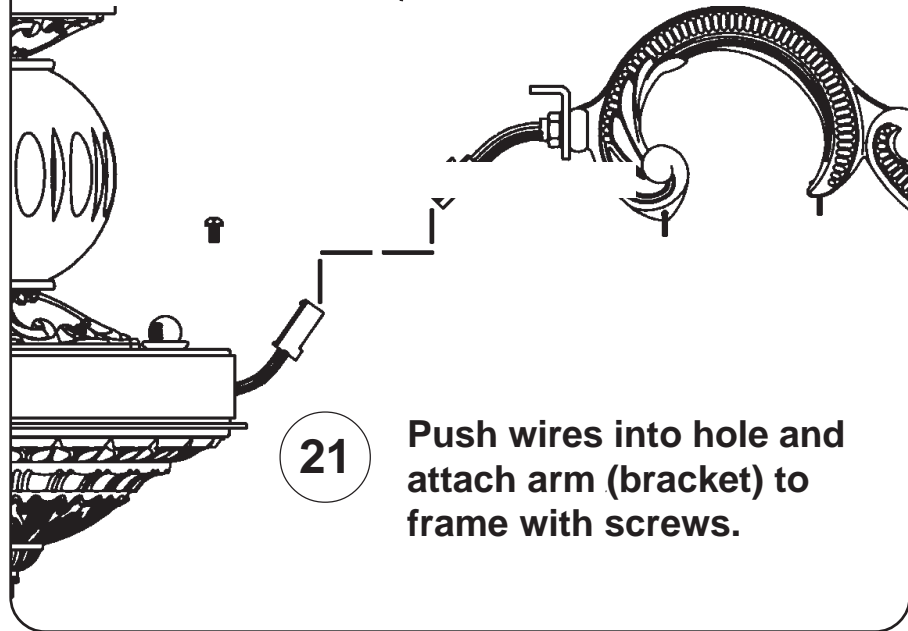
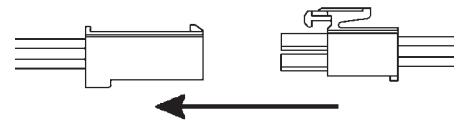
You will need 12 - C10
25 Watts Recommended
60 Watts Max

19

Install bulbs and be sure to test fixture BEFORE trimming.

20

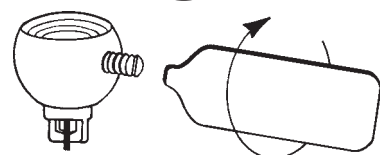
Connect plug-in connectors:



21

Push wires into hole and attach arm (bracket) to frame with screws.

27



Tighten With Tool Provided.

