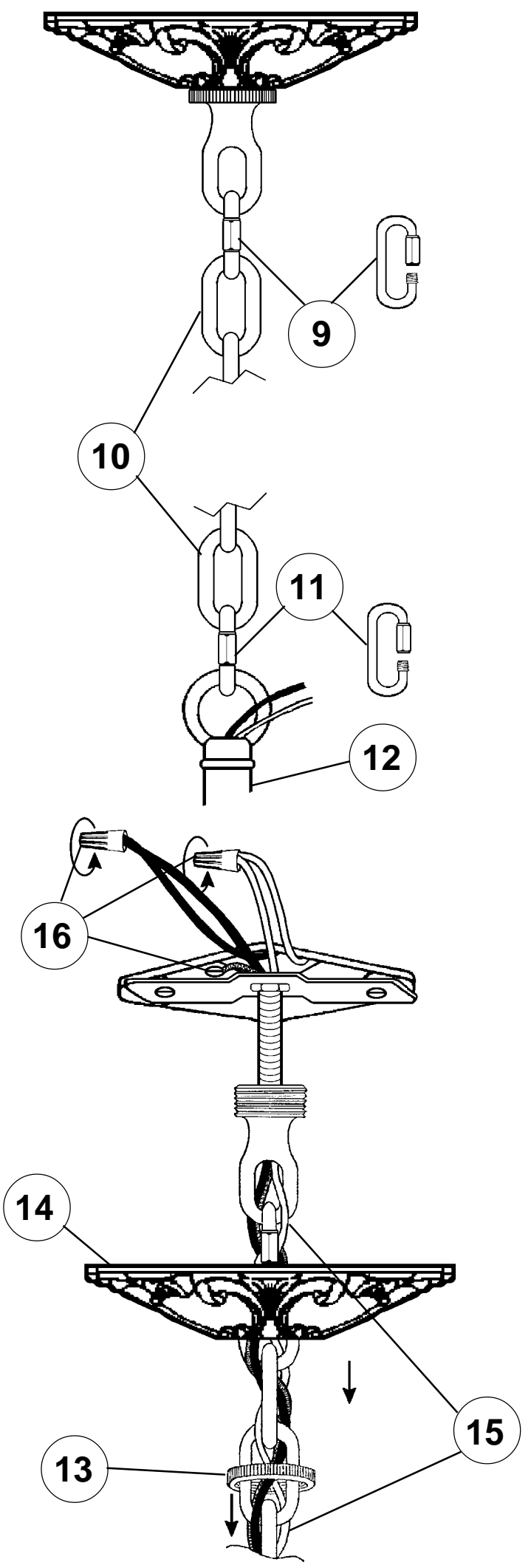
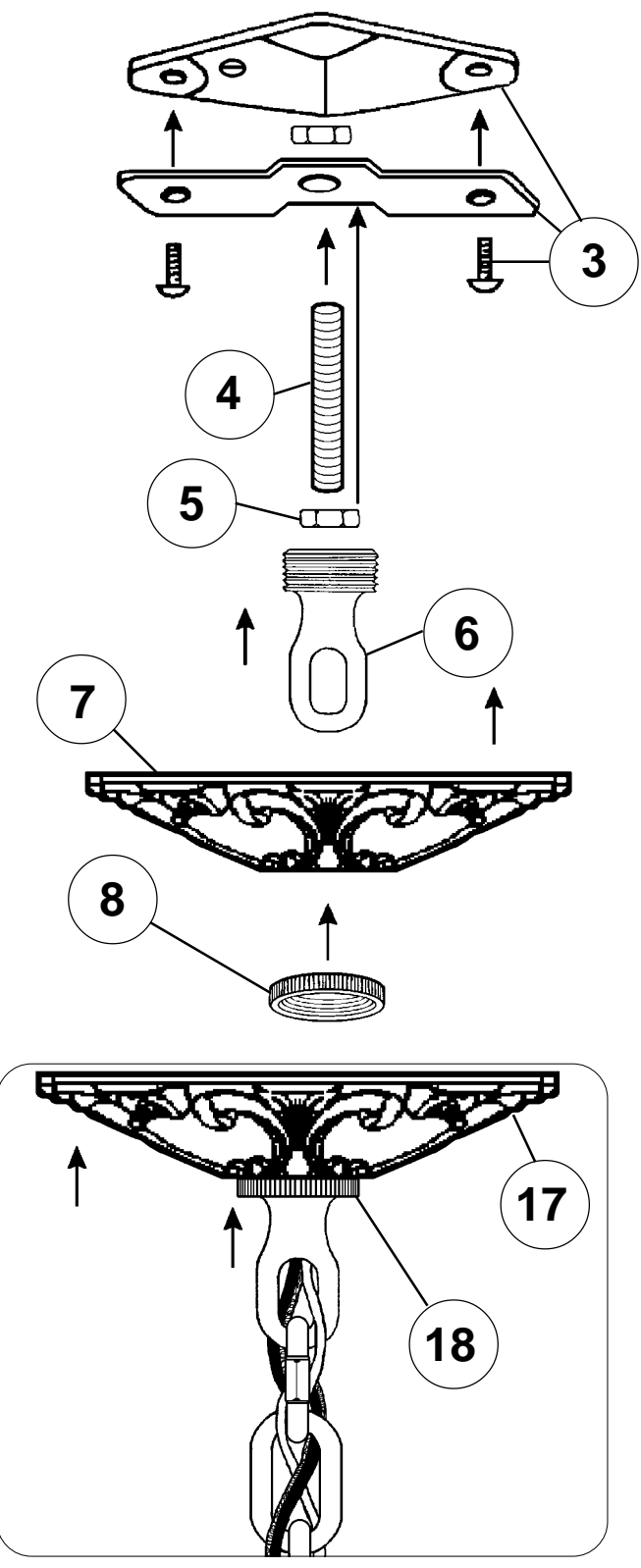


Instructions for electrician  
STEPS 2 - 18

**2** **WARNING:**

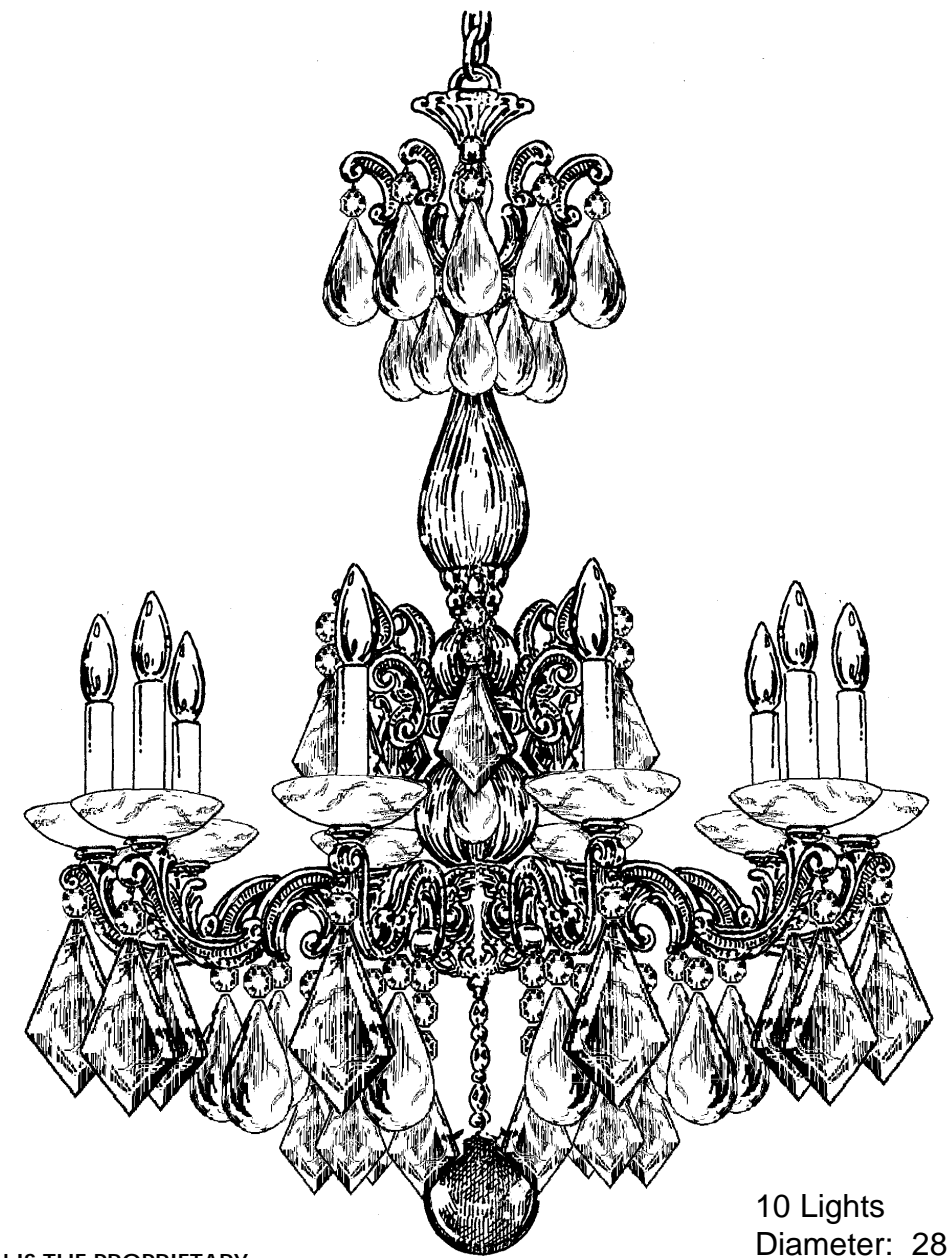
**Electrical Danger**    **Turn Power Off**

All electrical components must be installed by a licensed electrician in accordance with the National Electric Code and the appropriate local electrical codes.



CHANDELIER 5408-\_\_\_\_ TRIM DIAGRAM

(Finish Option)



10 Lights  
Diameter: 28"  
Body Length: 36"  
Hanging Weight: 38 lbs.

THIS DESIGN IS THE PROPRIETARY TRADE DRESS/TRADemark OF SCHONBEK WORLDWIDE LIGHTING INC.

**SCHONBEK®**

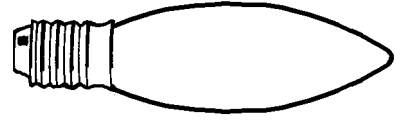
See diagram on back page  
Follow steps in exact order  
Save this trim diagram for future reference

**1** **IMPORTANT**  
*Person who opens carton should record the following information for future service.*

|                |   |
|----------------|---|
| CODE # _____   | Four-digit number on outside of carton. |
| PACKER # _____ | See crystal package label.              |
| ORDER # _____  | See crystal package label.              |

SCHONBEK IS A WORLD LEADER IN CHANDELIER DESIGN. PATENTS INCLUDE:  
#D292,620, #D335,362, #D335,546, #D335,716, #D335,720, #D336,537, #D338,082, #D389,264,  
#D338,278, #D339,879, #D345,815, #D373,441, #D374,102, #D374,103, #D374,498, #D382,077,  
#D393,325, #D397,495, #D397,494, #D403,101, #D435,686, #D454,973, #D454,974, #D455,224,  
#D456,940, #D463,602S, #D463,603S, #D464,769S, #D468,480, #2,651,806, #5,104,082, #5,109,325,  
#5,116,009, #5,144,541, #5,205,644, #5,222,805, #5,241,460, #5,255,173, #5,258,900, #5,285,364,  
#5,404,285, #5,460,269, #5,567,046, #5,567,468, #5,573,330, #5,577,838, #5,588,744, #5,873,652,  
#5,906,430, #5,921,668, #6,241,370B1 & #6,712,490B2

**Instructions for crystal trimming**  
**STEPS 19 - 28**



You will need 10 - C10  
 25 Watts Recommended  
 60 Watts Max

**19**

**Install bulbs and be sure  
 to test fixture BEFORE  
 trimming.**

