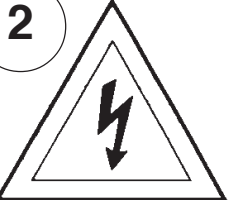


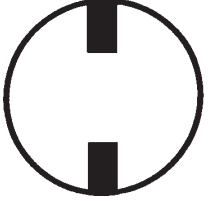
Instructions for electrician
STEPS 2 - 9

WARNING:

2

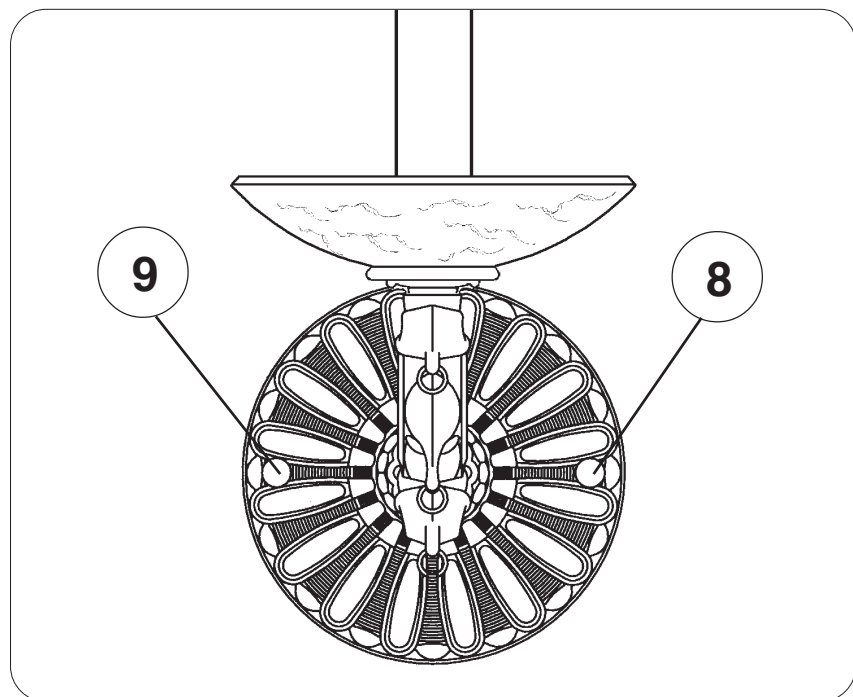
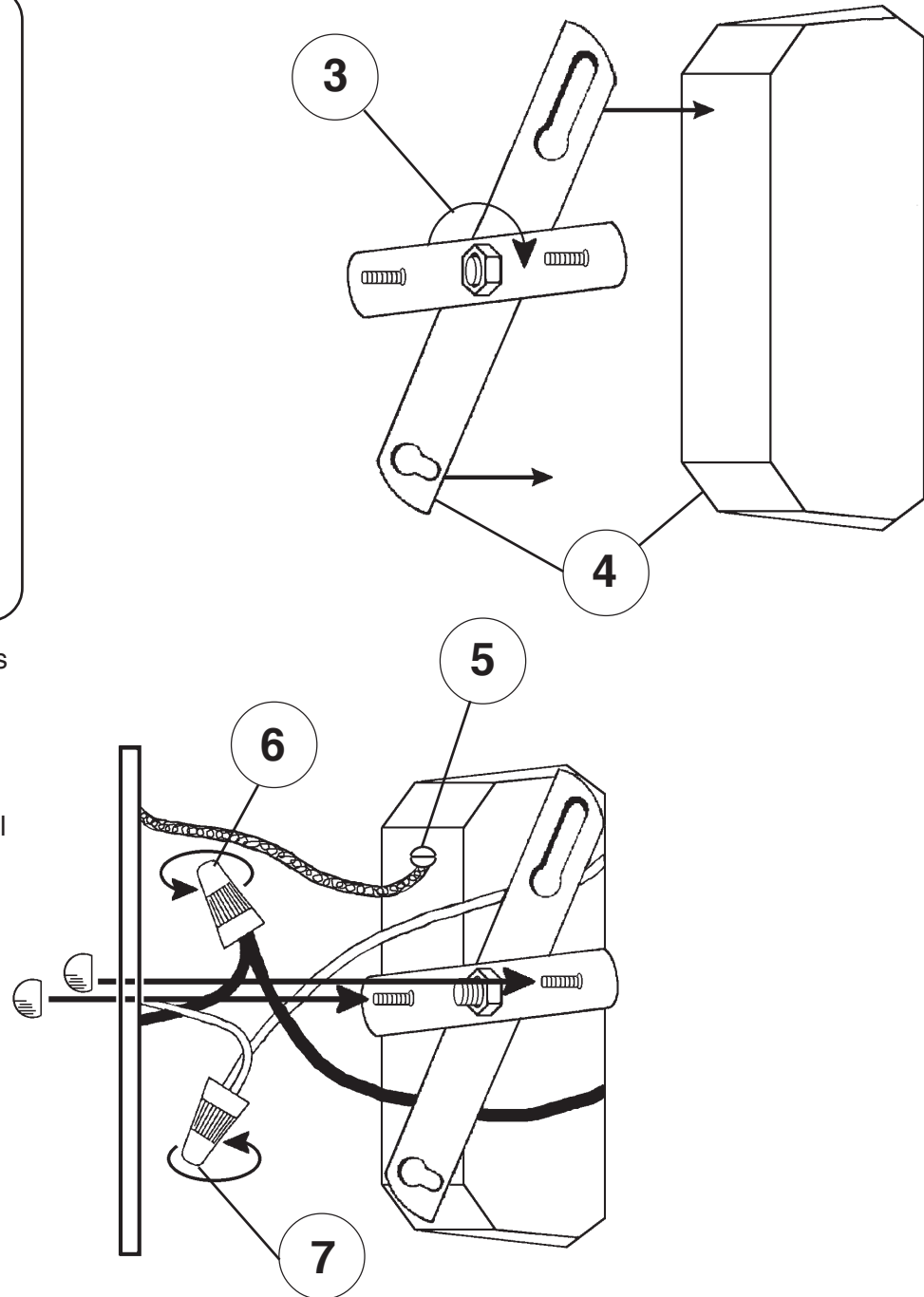


Electrical Danger

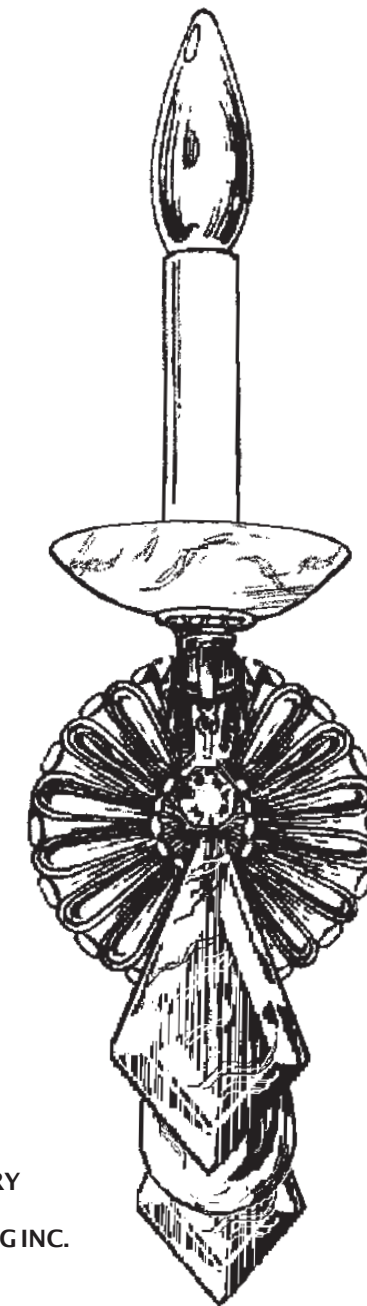


Turn Power Off

All electrical components must be installed by a licensed electrician in accordance with the National Electric Code and the appropriate local electrical codes.



CHANDELIER 5400-_____ TRIM DIAGRAM
(Finish Option)



1 Light
Diameter: 4-1/2"
Body Length: 16"
Extension: 8-1/2"
Hanging Weight: 3 pounds

THIS DESIGN IS THE PROPRIETARY TRADE DRESS/TRADE MARK OF SCHONBEK WORLDWIDE LIGHTING INC.

SCHONBEK®

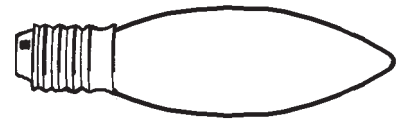
See diagram on back page
Follow steps in exact order
Save this trim diagram for future reference

1 **IMPORTANT**
Person who opens carton should record the following information for future service.

CODE # _____	Four-digit number on outside of carton.
PACKER # _____	See crystal package label.
ORDER # _____	See crystal package label.



Instructions for crystal trimming STEPS 10 - 13



You will need 1 - B10
25 Watts Recommended
60 Watts Max

10

Install bulbs and be sure
to test fixture **BEFORE**
trimming.

