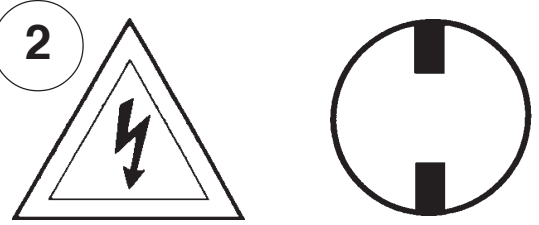


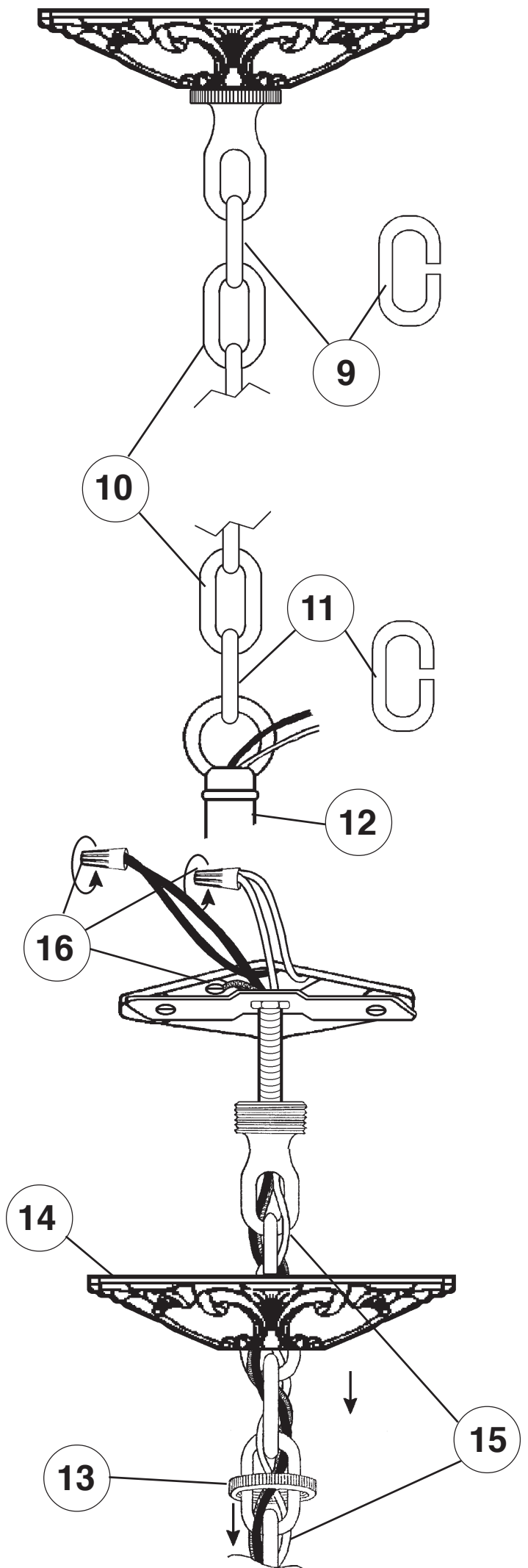
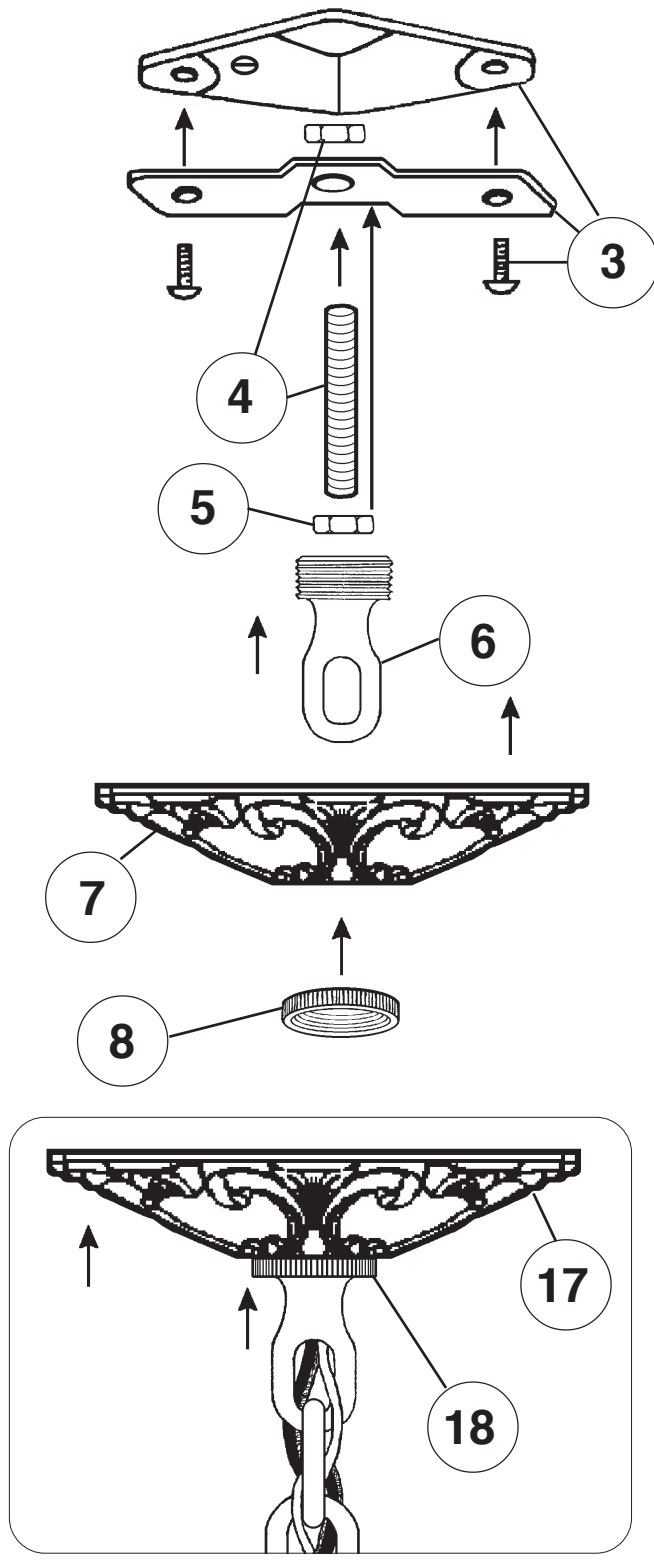
**Instructions for electrician**  
**STEPS 2 - 18**

**WARNING:**



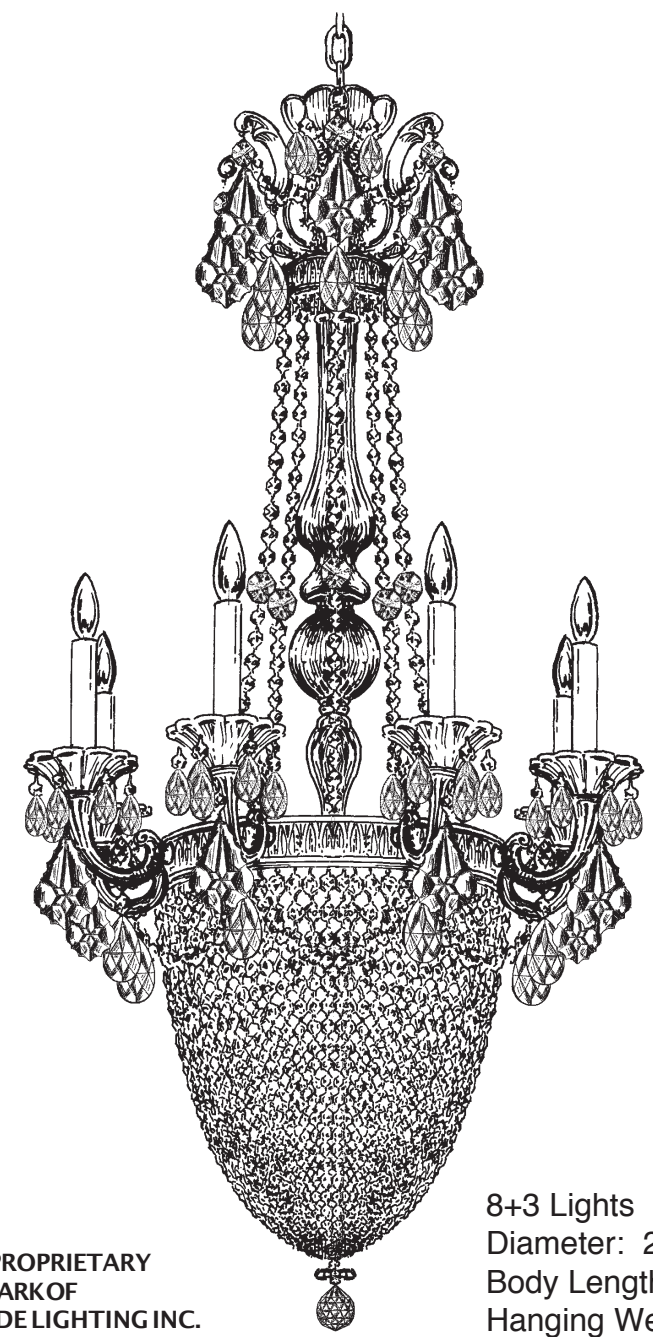
**2** Electrical Danger Turn Power Off

All electrical components must be installed by a licensed electrician in accordance with the National Electric Code and the appropriate local electrical codes.



**CHANDELIER 5090- \_\_\_\_\_ TRIM DIAGRAM**

(Finish Option) (Trim Option)



**T**HIS DESIGN IS THE PROPRIETARY TRADE DRESS/TRADE MARK OF SCHONBEK WORLDWIDE LIGHTING INC.

8+3 Lights  
Diameter: 25-1/2"  
Body Length: 48"  
Hanging Weight: 36 lbs.

**SCHONBEK®**

**See diagram on back page**  
**Follow steps in exact order**  
**Save this trim diagram for future reference**

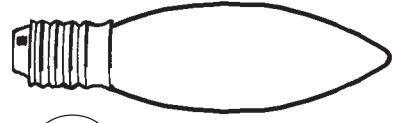
**1** **IMPORTANT**  
*Person who opens carton should record the following information for future service.*

CODE # _____	Four-digit number on outside of carton.
PACKER # _____	See crystal package label.
ORDER # _____	See crystal package label.

SCHONBEK IS A WORLD LEADER IN CHANDELIER DESIGN. PATENTS INCLUDE: #D5,222,805

# Instructions for crystal trimming

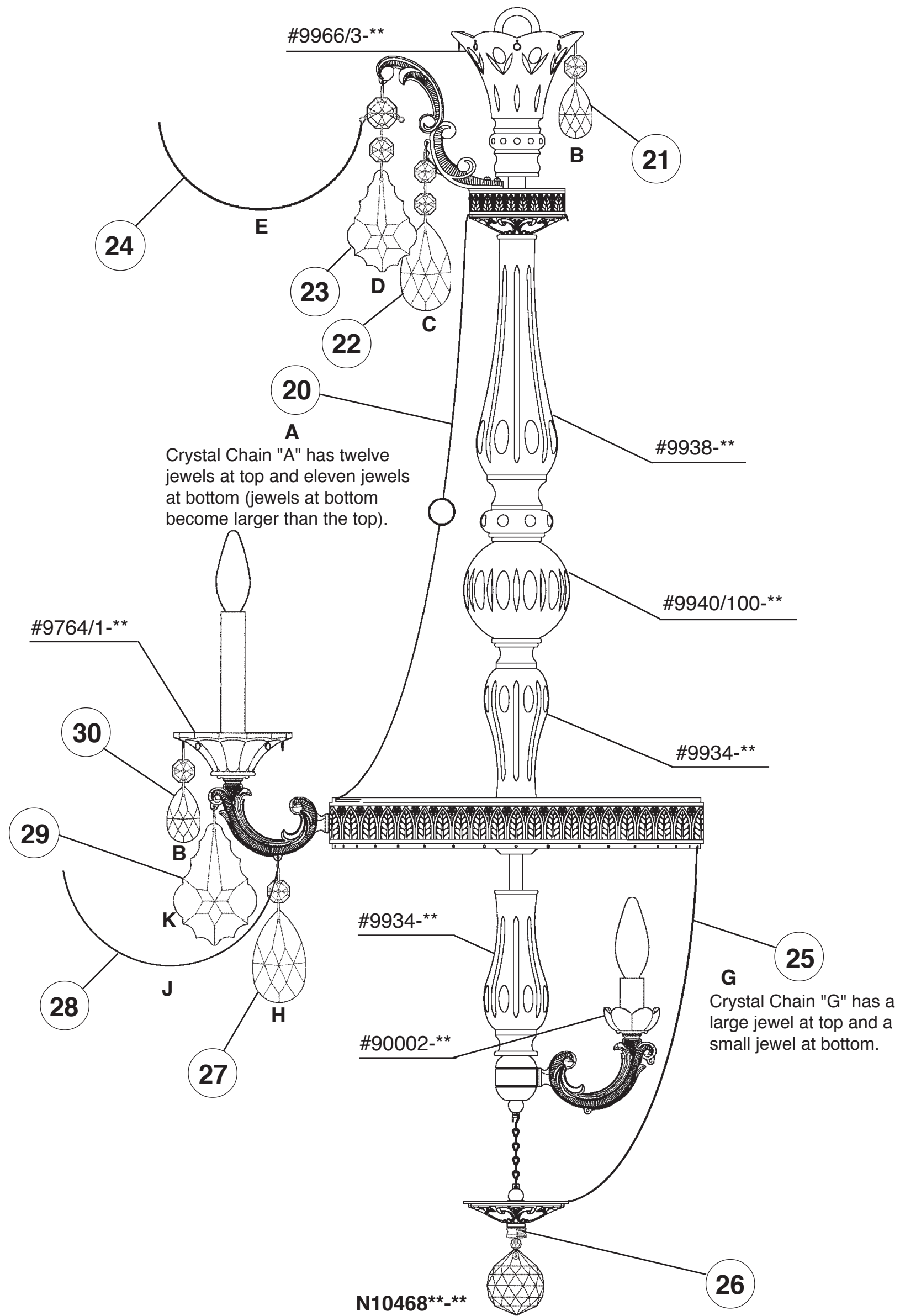
## STEPS 19 - 30



**19**

You will need 11 - B10  
25 Watts Recommended  
60 Watts Max

Install bulbs and be  
sure to test fixture  
BEFORE trimming.



**HANG  
CRYSTAL  
WITH FLAT  
SIDE FACING  
FRONT**