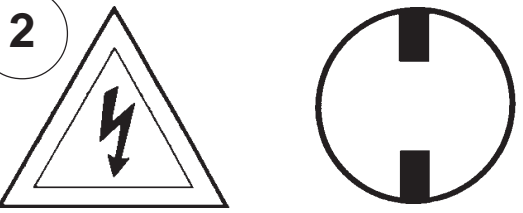
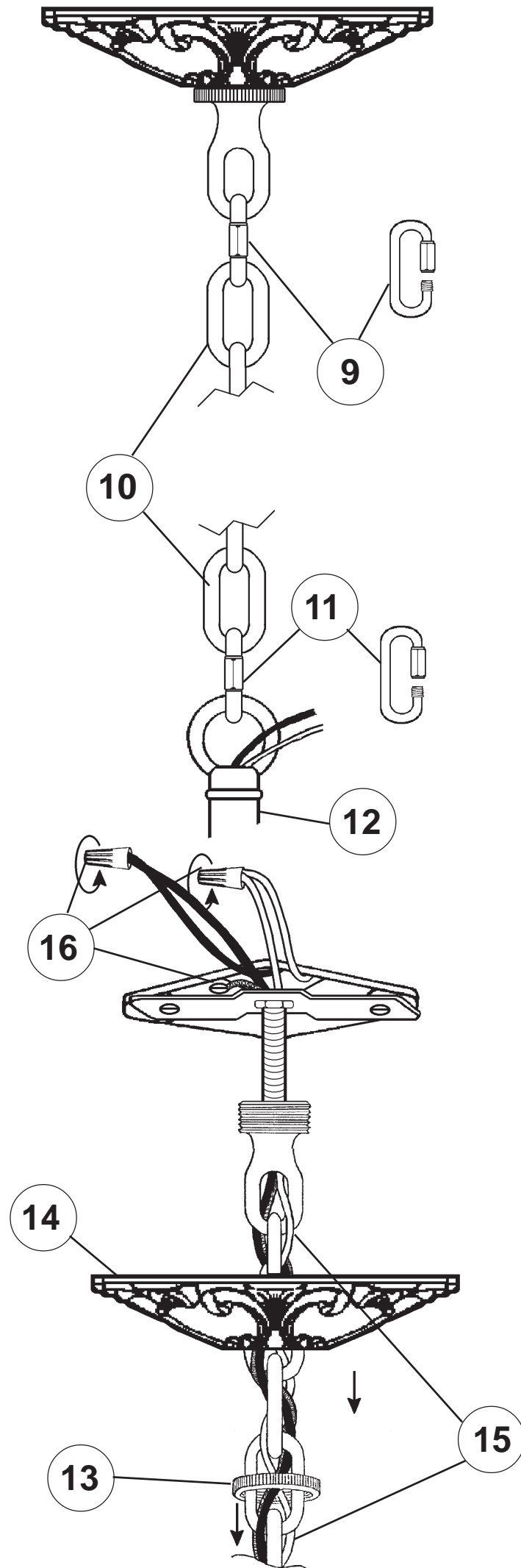
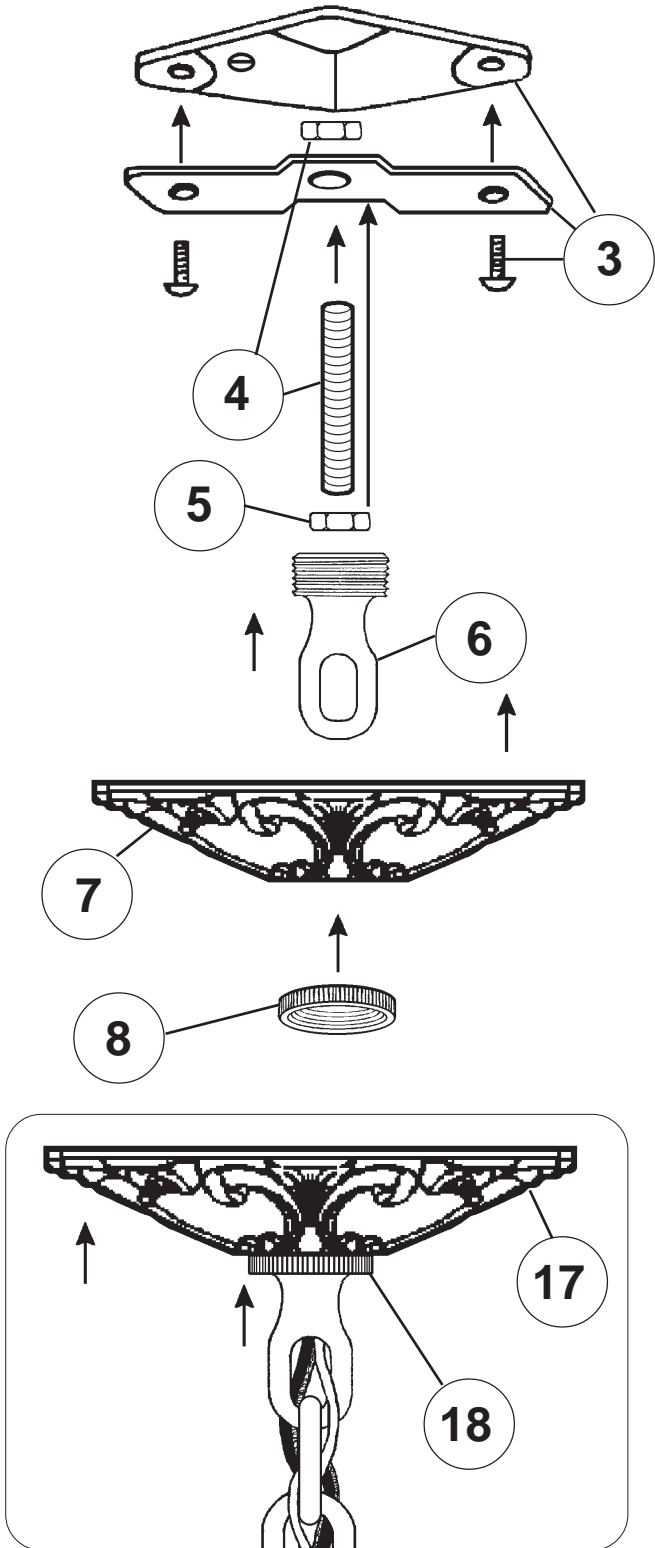


Instructions for electrician
STEPS 2 - 18

WARNING:

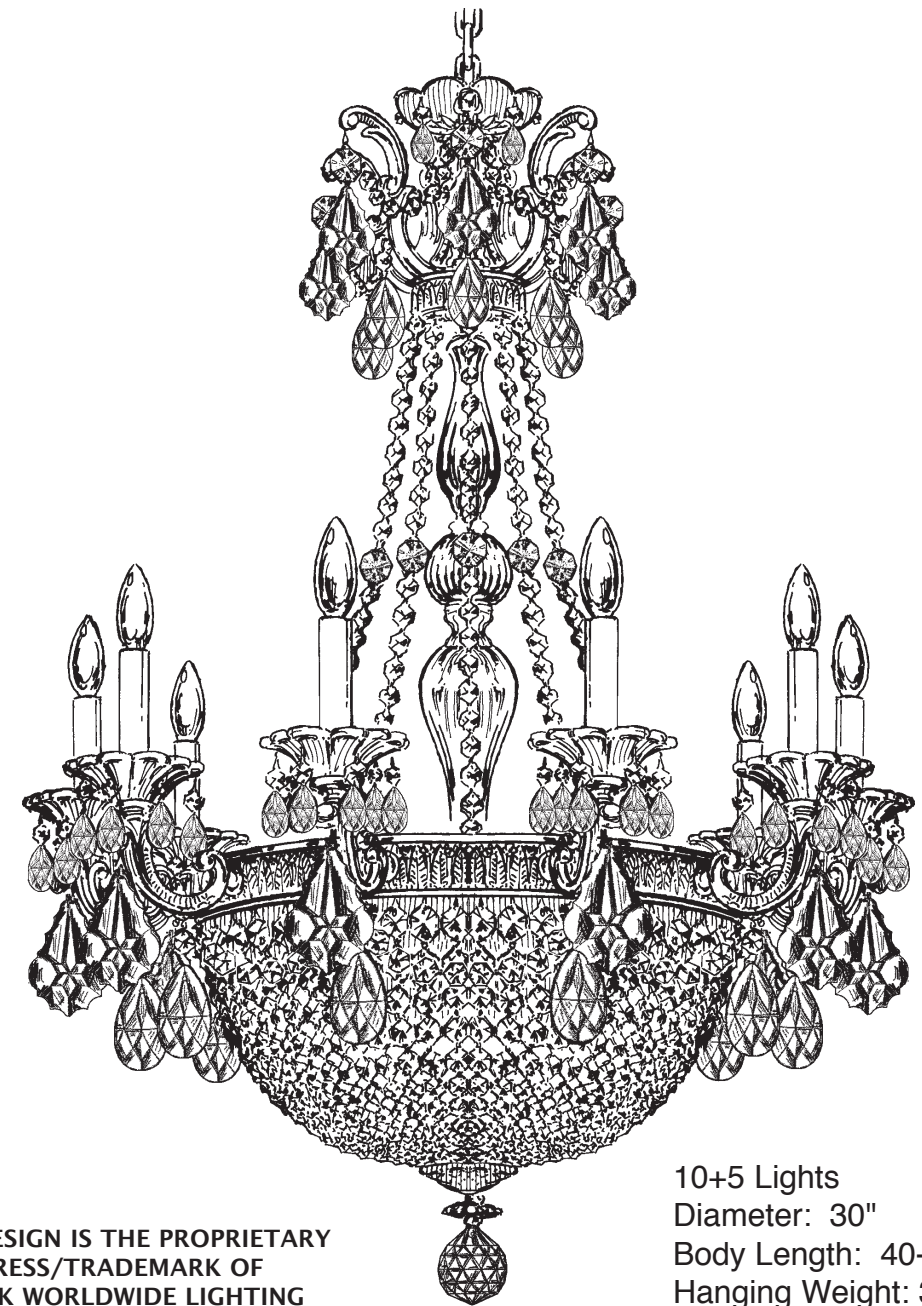
2  **Electrical Danger Turn Power Off**

All electrical components must be installed by a licensed electrician in accordance with the National Electric Code and the appropriate local electrical codes.



CHANDELIER 5080- _____ TRIM DIAGRAM

(Finish Option) (Trim Option)



10+5 Lights
Diameter: 30"
Body Length: 40-1/2"
Hanging Weight: 38 lbs.

THIS DESIGN IS THE PROPRIETARY TRADE DRESS/TRADemark OF SCHONBEK WORLDWIDE LIGHTING INC.

SCHONBEK®

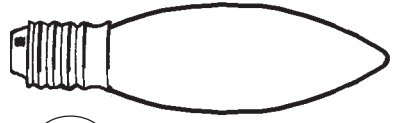
See diagram on back page
Follow steps in exact order
Save this trim diagram for future reference

IMPORTANT
1 Person who opens carton should record the following information for future service.
CODE # _____ Four-digit number on outside of carton.
PACKER # _____ See crystal package label.
ORDER # _____ See crystal package label.

SCHONBEK IS A WORLD LEADER IN CHANDELIER DESIGN. PATENTS INCLUDE: #5,222,805

Instructions for crystal trimming

STEPS 19 - 30



19

You will need 15 - B10
25 Watts Recommended
60 Watts Max

Install bulbs and be
sure to test fixture
BEFORE trimming.

HANG
CRYSTAL
WITH FLAT
SIDE FACING
FRONT

