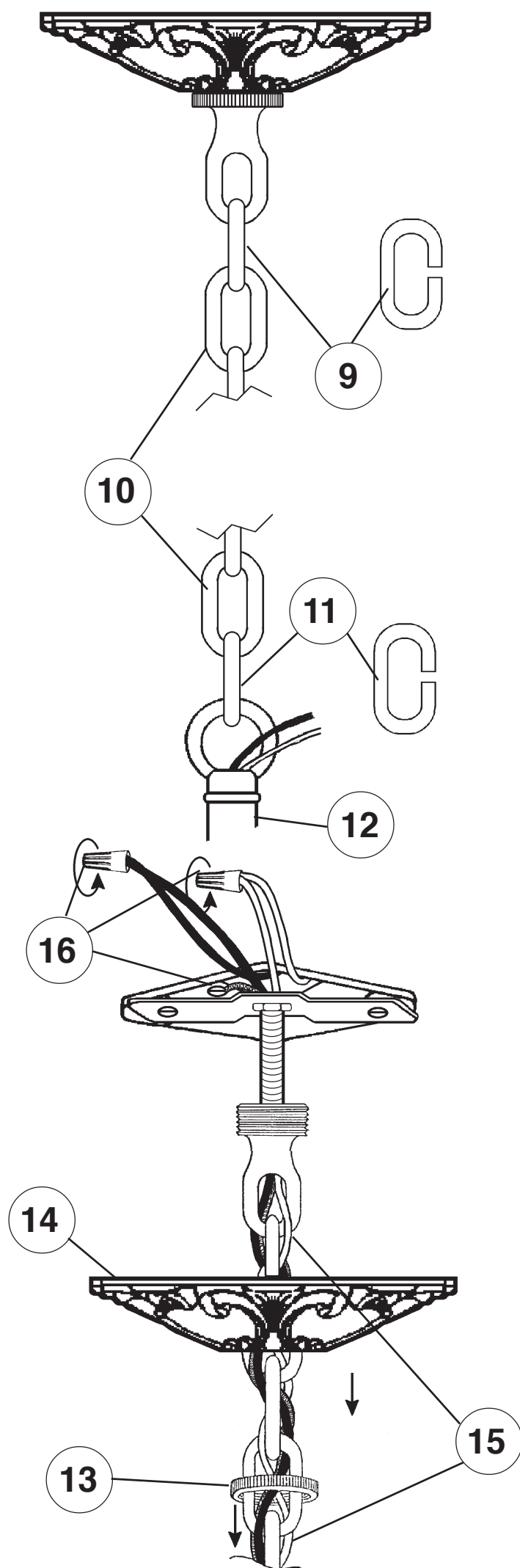
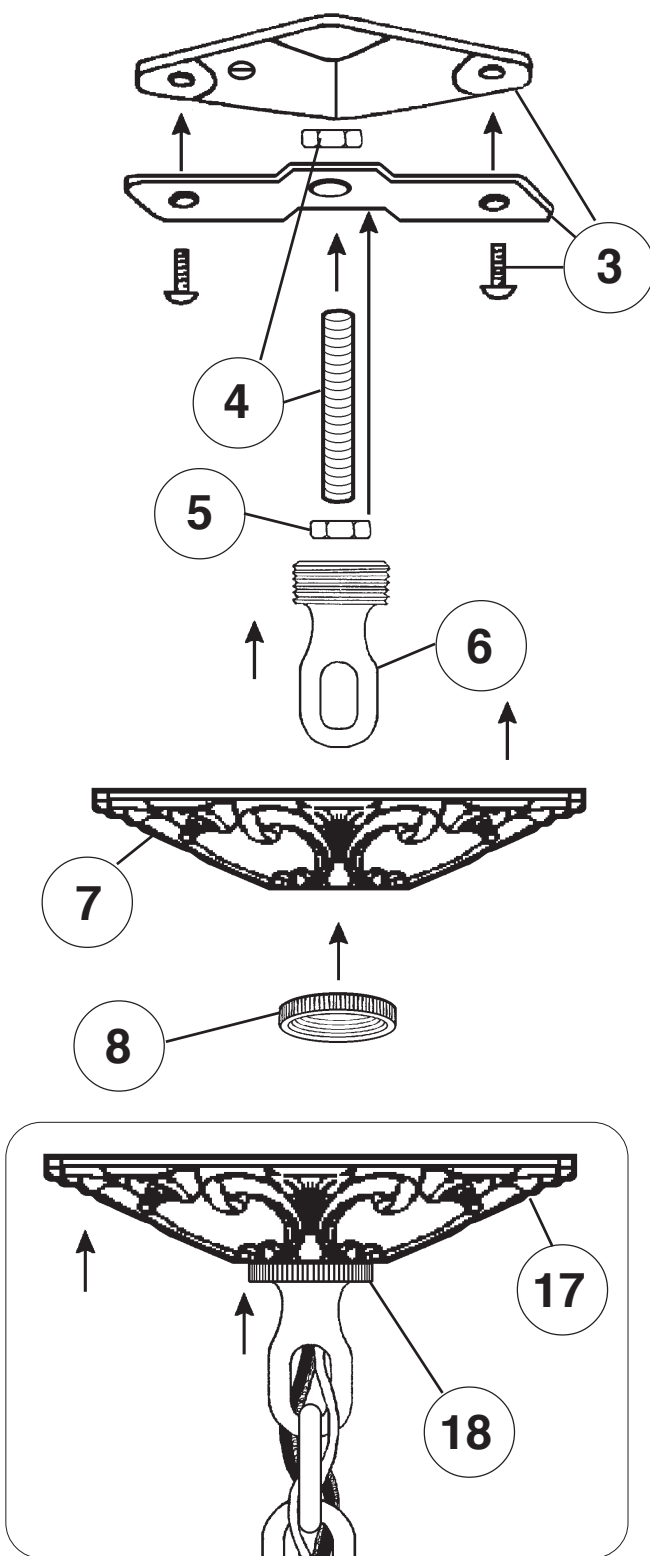


Instructions for electrician  
STEPS 2 - 18

**2** **WARNING:**

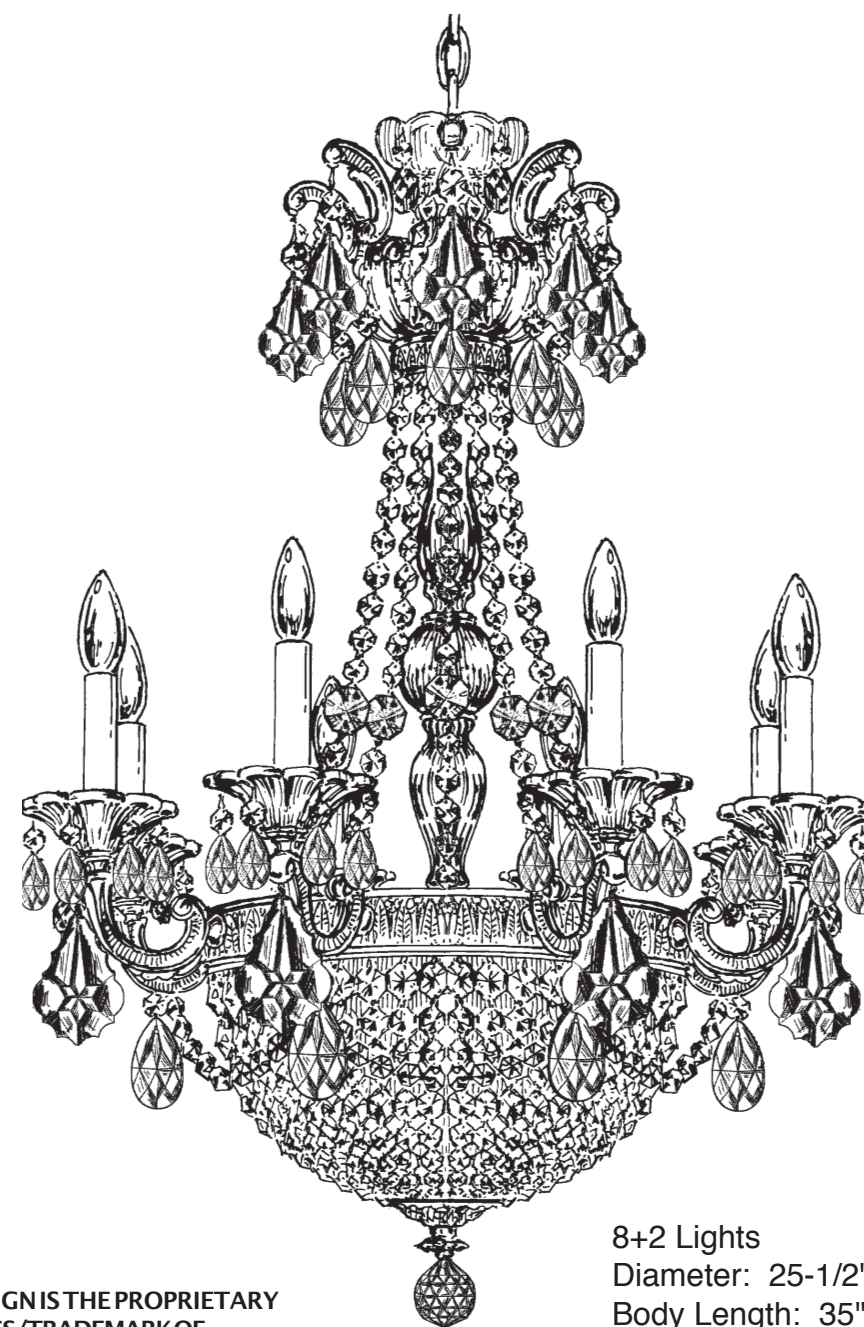
Electrical Danger Turn Power Off

All electrical components must be installed by a licensed electrician in accordance with the National Electric Code and the appropriate local electrical codes.



CHANDELIER 5078- \_\_\_\_\_ TRIM DIAGRAM

(Finish Option) (Trim Option)



THIS DESIGN IS THE PROPRIETARY TRADE DRESS/TRADE MARK OF SCHONBEK WORLDWIDE LIGHTING INC.

8+2 Lights  
Diameter: 25-1/2"  
Body Length: 35"  
Hanging Weight: 28 lbs.

**SCHONBEK®**

See diagram on back page  
Follow steps in exact order  
Save this trim diagram for future reference

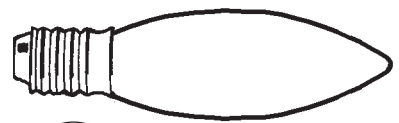
**1** **IMPORTANT**  
Person who opens carton should record the following information for future service.

CODE # \_\_\_\_\_ Four-digit number on outside of carton.  
PACKER # \_\_\_\_\_ See crystal package label.  
ORDER # \_\_\_\_\_ See crystal package label.

SCHONBEK IS A WORLD LEADER IN CHANDELIER DESIGN. PATENTS INCLUDE: #D5,222,805

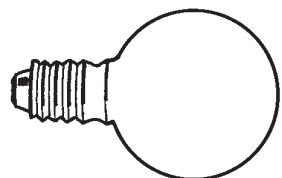
# Instructions for crystal trimming

## STEPS 19 - 30



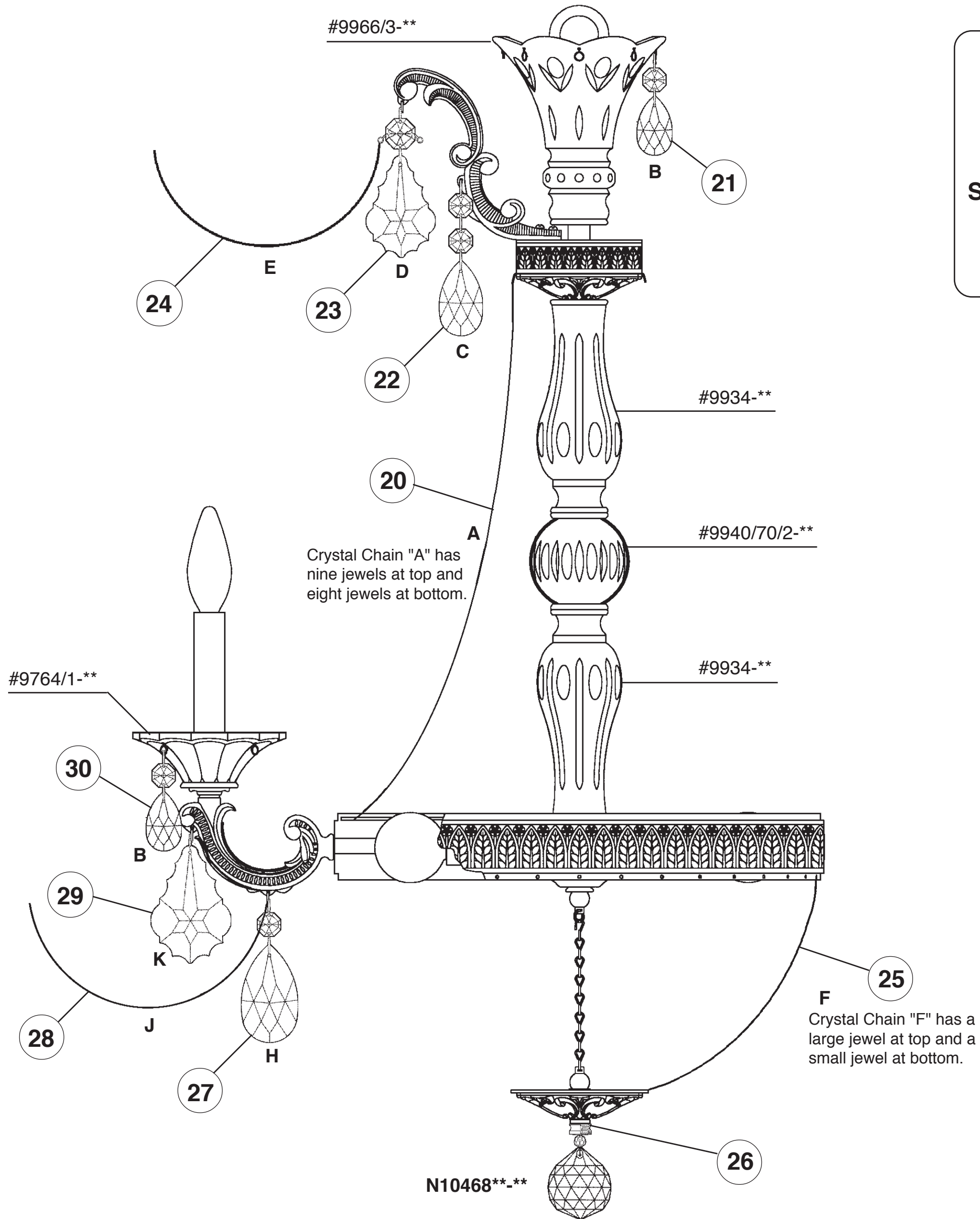
19

You will need 8 - B10  
25 Watts Recommended  
60 Watts Max



You will need 2 - G16-1/2  
25 Watts Recommended  
60 Watts Max

Install bulbs and be  
sure to test fixture  
BEFORE trimming.



**HANG  
CRYSTAL  
WITH FLAT  
SIDE FACING  
FRONT**

