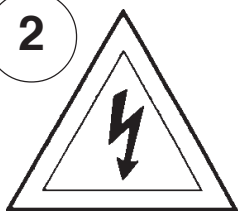


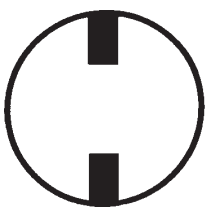
Instructions for electrician
STEPS 2 - 18

WARNING:

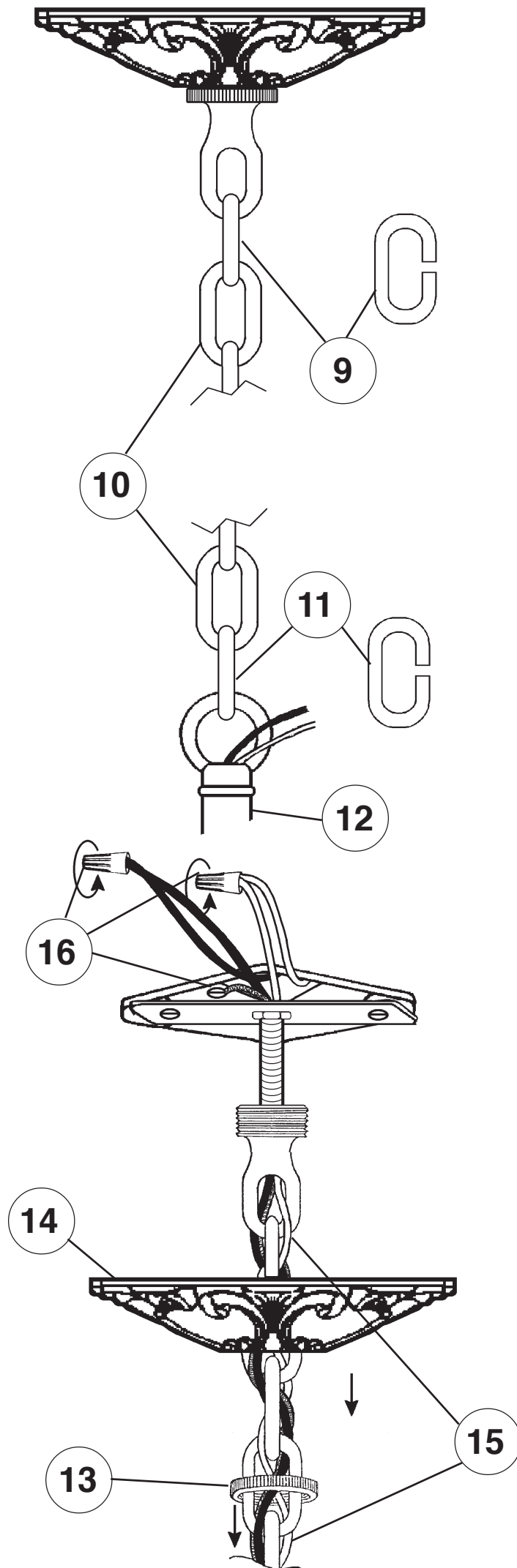
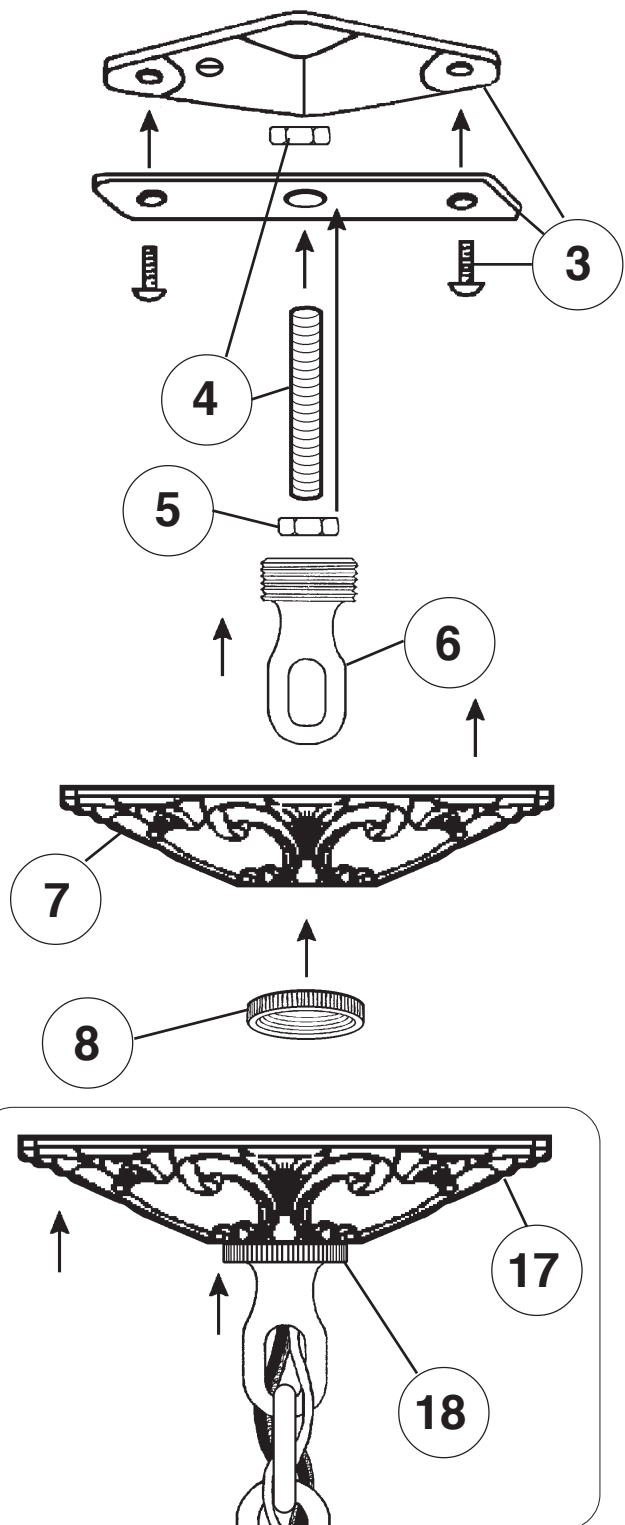
2



Electrical Danger Turn Power Off



All electrical components must be installed by a licensed electrician in accordance with the National Electric Code and the appropriate local electrical codes.



CHANDELIER 5077- _____ TRIM DIAGRAM

(Finish Option) (Trim Option)



THIS DESIGN IS THE PROPRIETARY TRADE DRESS/TRADE MARK OF SCHONBEK WORLDWIDE LIGHTING INC.

7+2 Lights
Diameter: 23-1/2"
Body Length: 30"
Hanging Weight: 20 lbs.

SCHONBEK[®]

See diagram on back page
Follow steps in exact order
Save this trim diagram for future reference

1

IMPORTANT

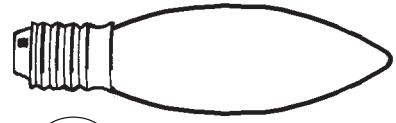
Person who opens carton should record the following information for future service.

CODE # _____ Four-digit number on outside of carton.
PACKER # _____ See crystal package label.
ORDER # _____ See crystal package label.

SCHONBEK IS A WORLD LEADER IN CHANDELIER DESIGN. PATENTS INCLUDE:
#D5,222,805

Instructions for crystal trimming

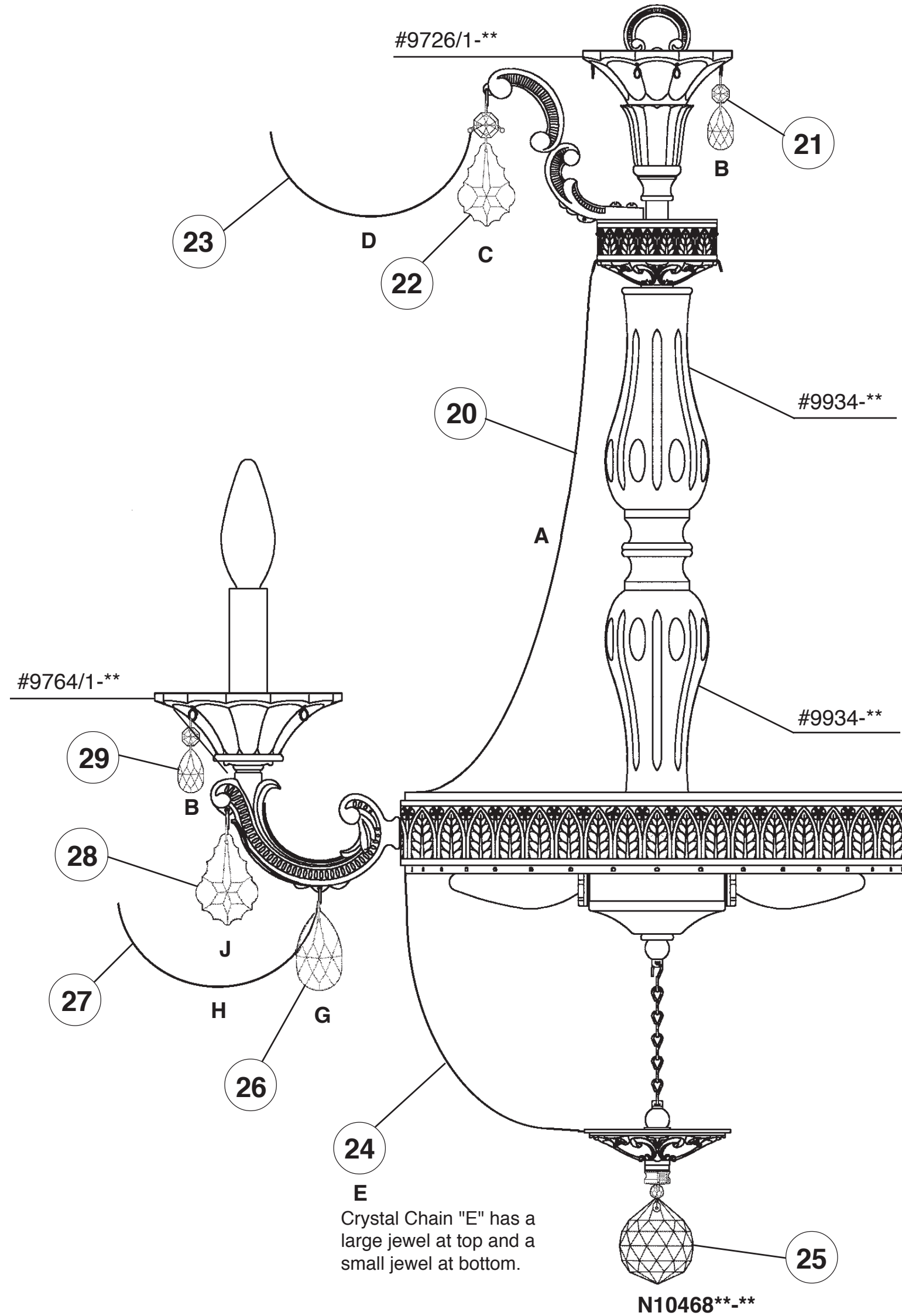
STEPS 19 - 29



19

You will need 9 - B10
25 Watts Recommended
60 Watts Max

Install bulbs and be
sure to test fixture
BEFORE trimming.



HANG
CRYSTAL
WITH FLAT
SIDE FACING
FRONT