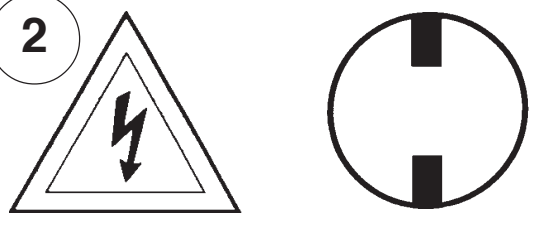


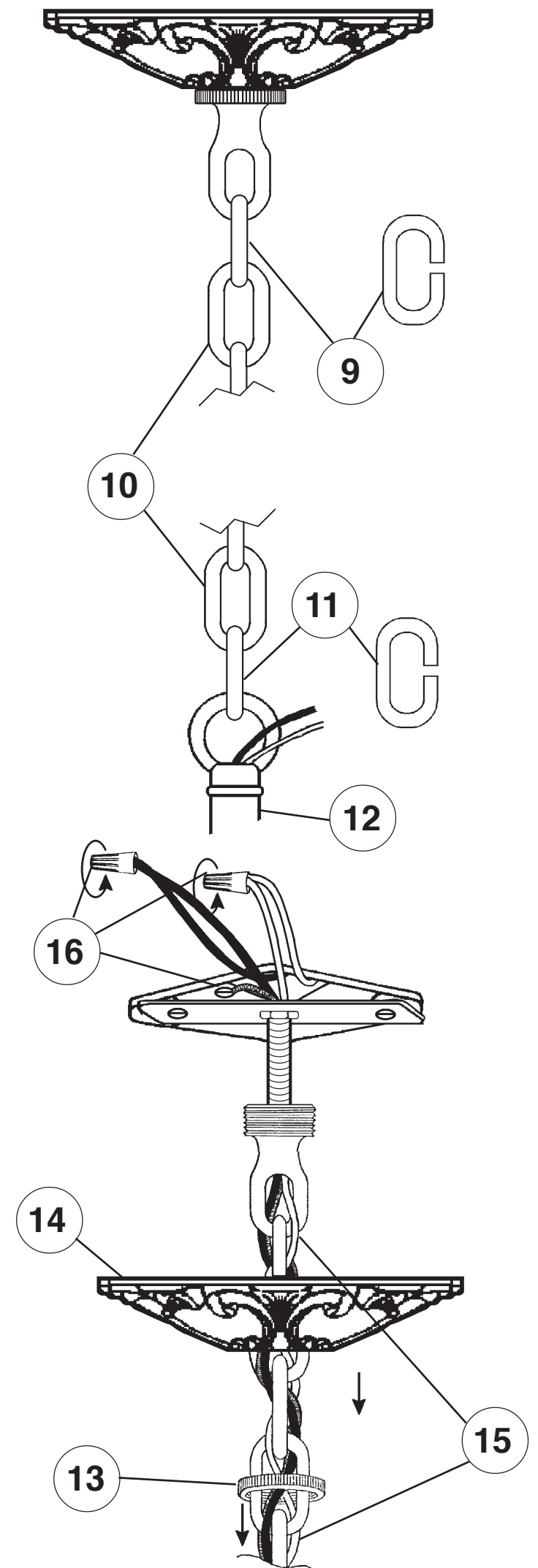
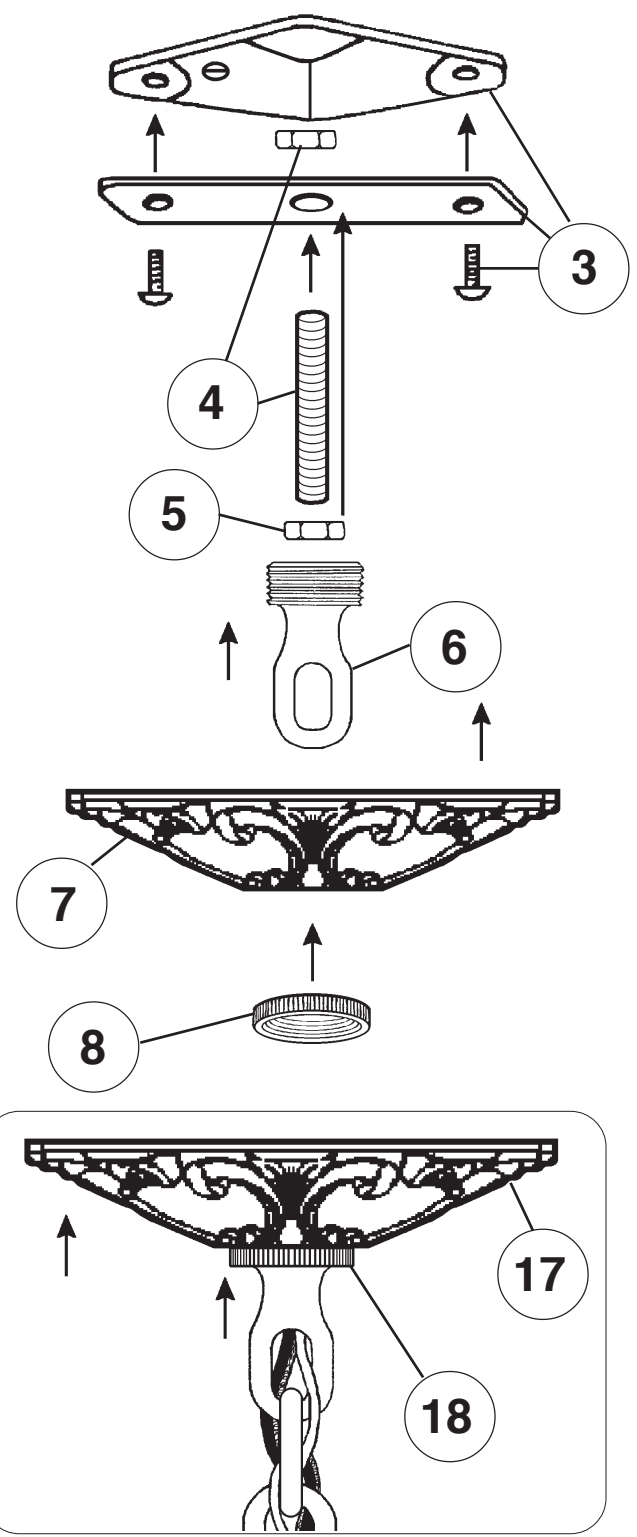
Instructions for electrician
STEPS 2 - 18

WARNING:

2 

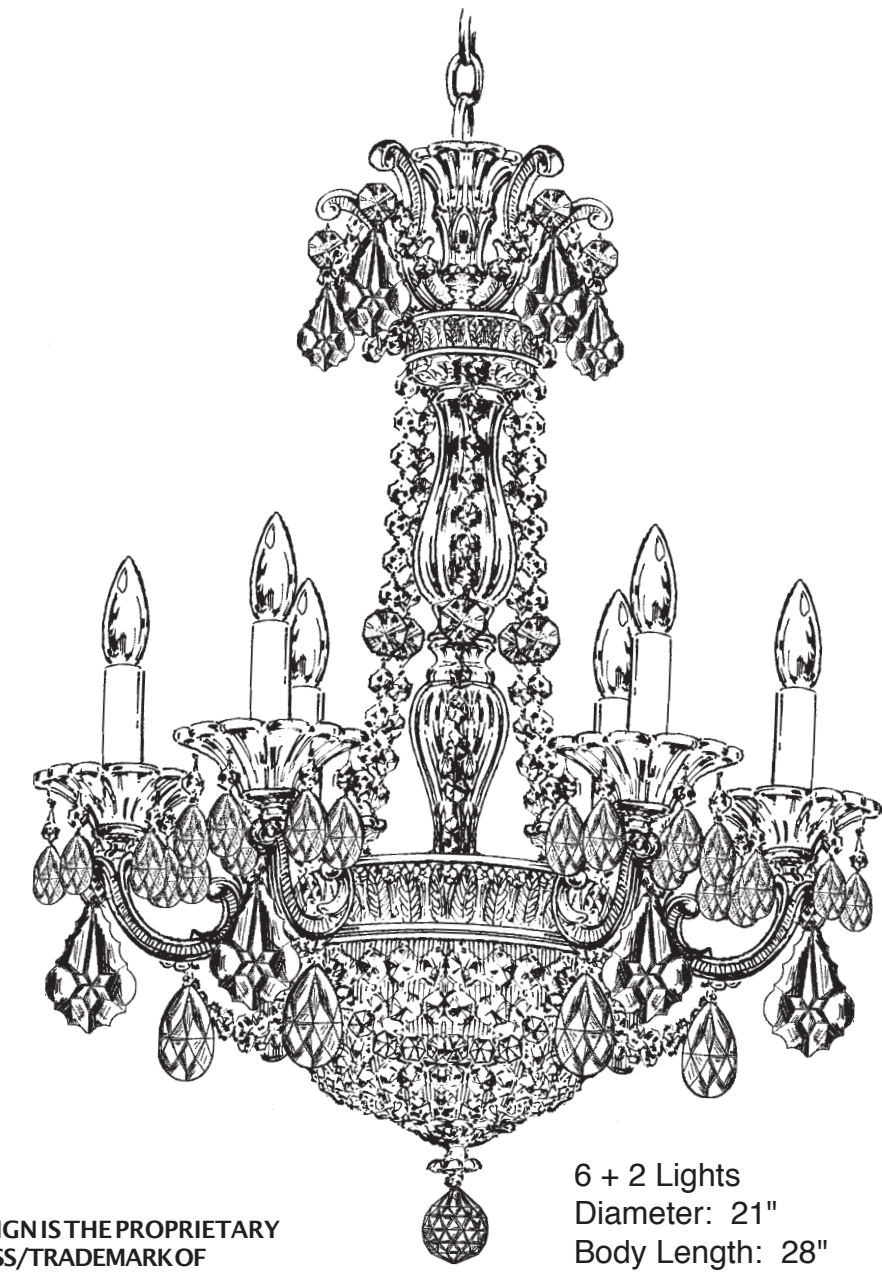
Electrical Danger Turn Power Off

All electrical components must be installed by a licensed electrician in accordance with the National Electric Code and the appropriate local electrical codes.



CHANDELIER 5076- _____ TRIM DIAGRAM

(Finish Option) (Trim Option)



THIS DESIGN IS THE PROPRIETARY TRADE DRESS/TRADE MARK OF SCHONBEK WORLDWIDE LIGHTING INC.

6 + 2 Lights
Diameter: 21"
Body Length: 28"
Hanging Weight: 18 lbs.

SCHONBEK[®]

See diagram on back page
Follow steps in exact order
Save this trim diagram for future reference

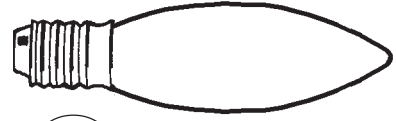
1 **IMPORTANT**
Person who opens carton should record the following information for future service.

CODE # _____ Four-digit number on outside of carton.
PACKER # _____ See crystal package label.
ORDER # _____ See crystal package label.

SCHONBEK IS A WORLD LEADER IN CHANDELIER DESIGN. PATENTS INCLUDE:
#D5,222,805

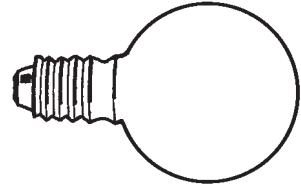
Instructions for crystal trimming

STEPS 19 - 29



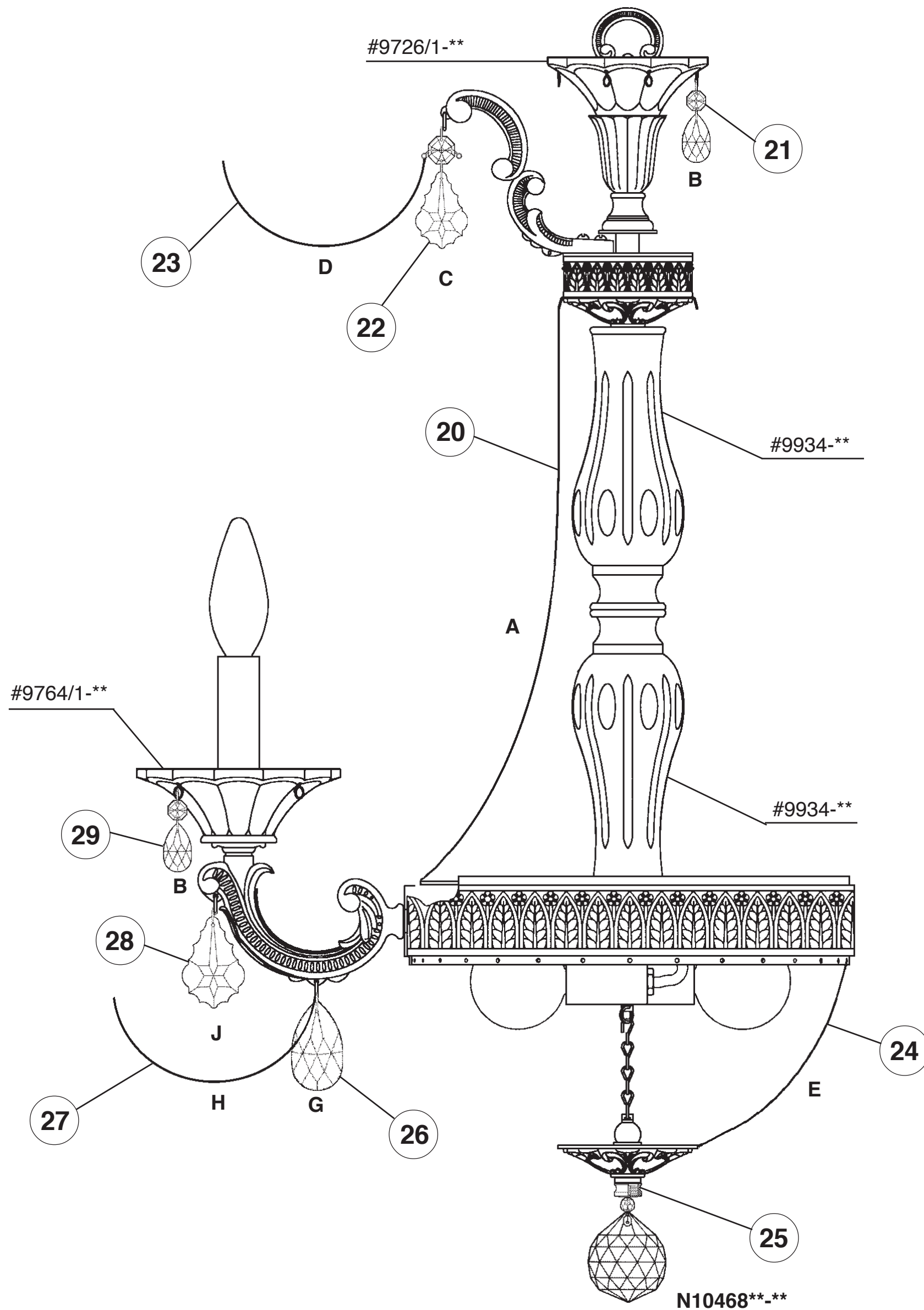
19

You will need 6 - B10
25 Watts Recommended
60 Watts Max



You will need 2 - G16-1/2
25 Watts Recommended
60 Watts Max

**Install bulbs and be
sure to test fixture
BEFORE trimming.**



**HANG
CRYSTAL
WITH FLAT
SIDE FACING
FRONT**