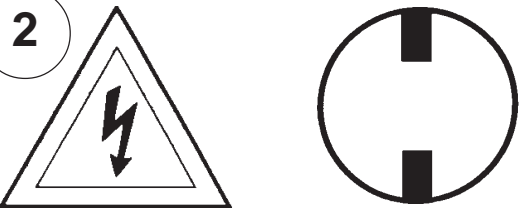


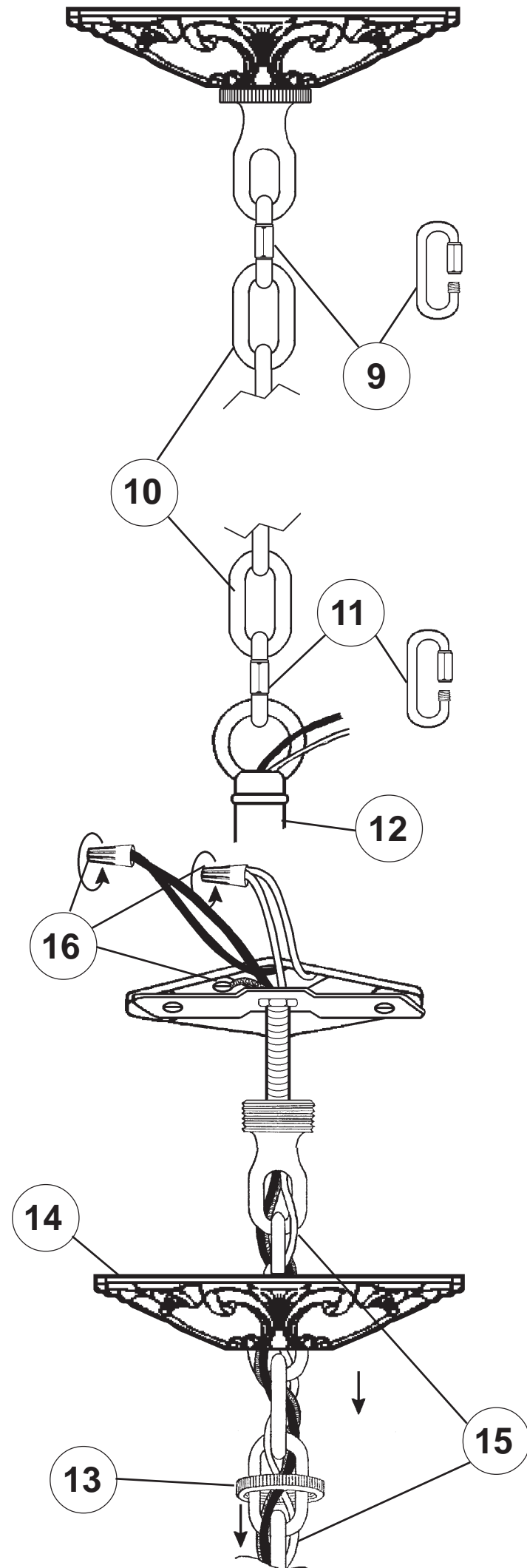
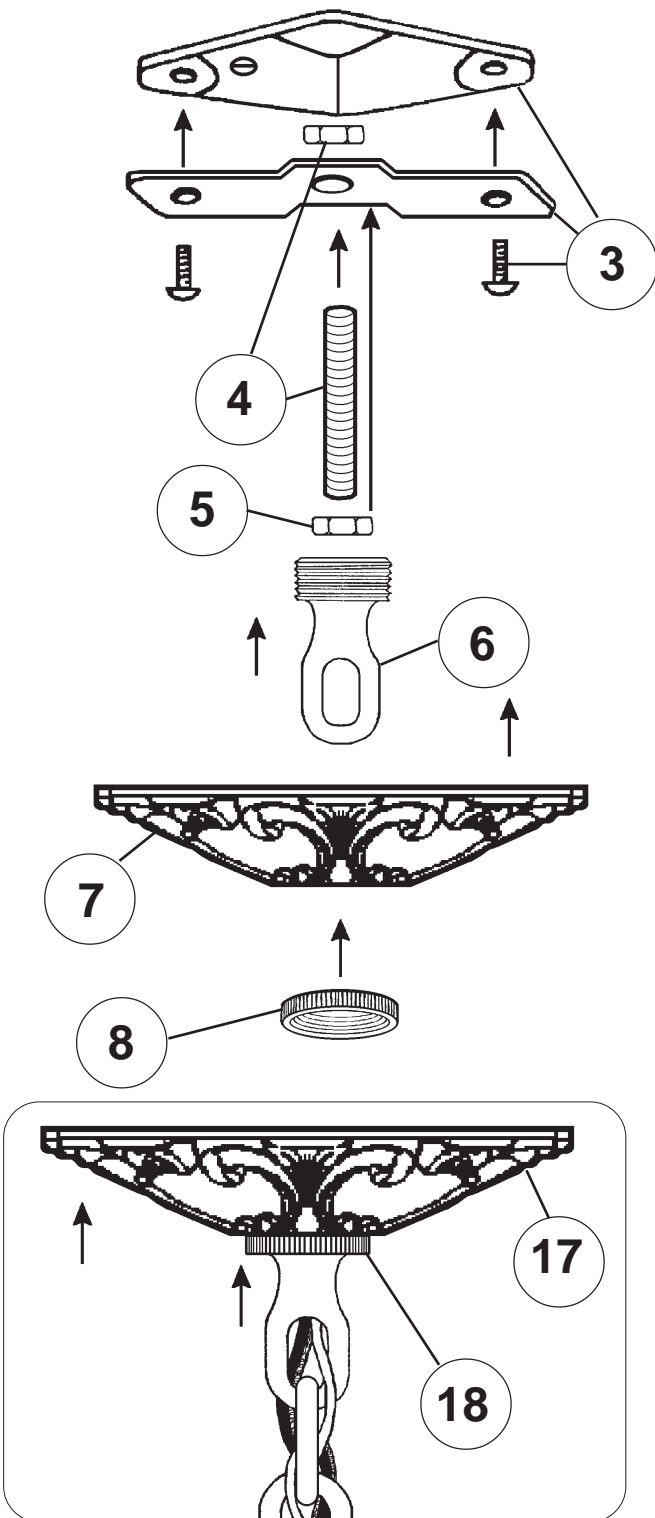
Instructions for electrician
STEPS 2 - 18

WARNING:



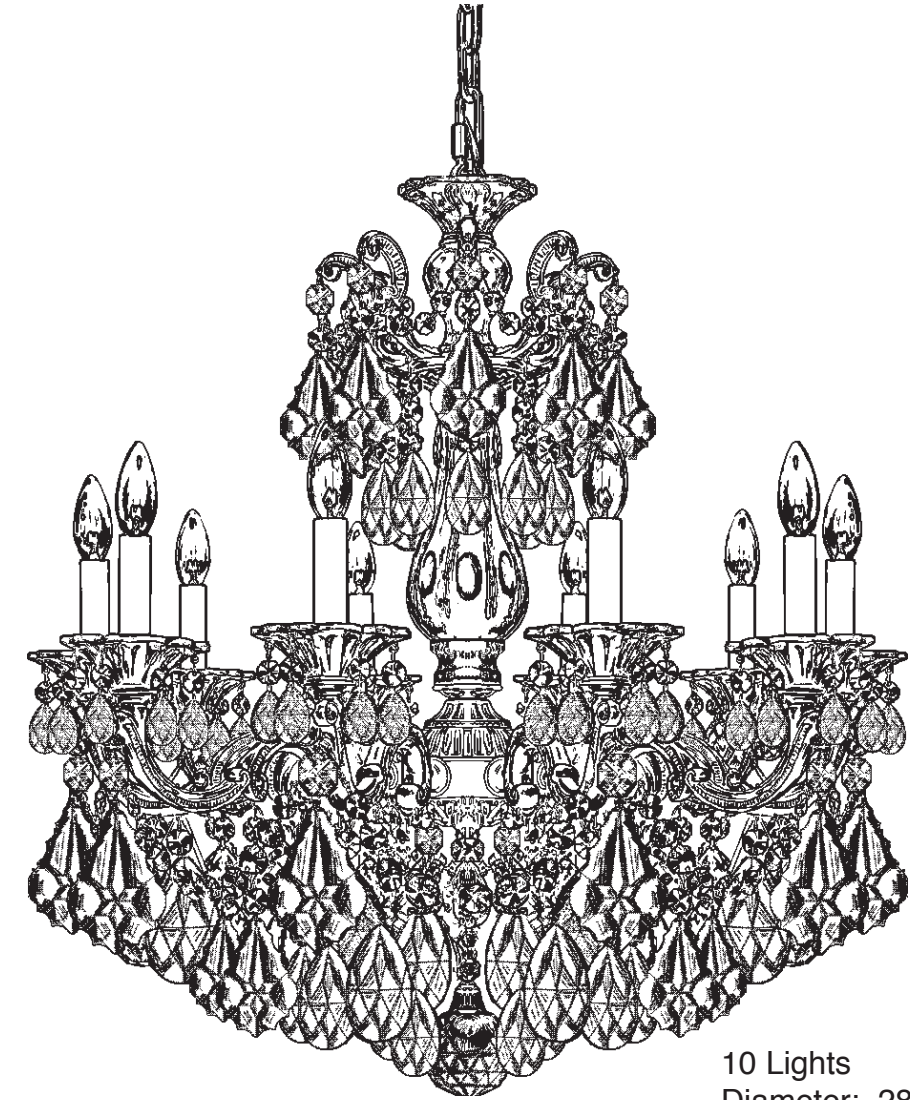
Electrical Danger Turn Power Off

All electrical components must be installed by a licensed electrician in accordance with the National Electric Code and the appropriate local electrical codes.



CHANDELIER 5074- _____ TRIM DIAGRAM

(Finish Option) (Trim Option)



10 Lights
Diameter: 28"
Body Length: 30"
Hanging Weight: 35 lbs.

THIS DESIGN IS THE PROPRIETARY TRADE DRESS/TRADEMARK OF SCHONBEK WORLDWIDE LIGHTING INC.

SCHONBEK[®]

See diagram on back page
Follow steps in exact order
Save this trim diagram for future reference

IMPORTANT

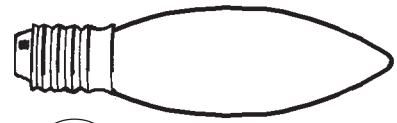
1 Person who opens carton should record the following information for future service.

CODE # _____ Four-digit number on outside of carton.
PACKER # _____ See crystal package label.
ORDER # _____ See crystal package label.



Instructions for crystal trimming

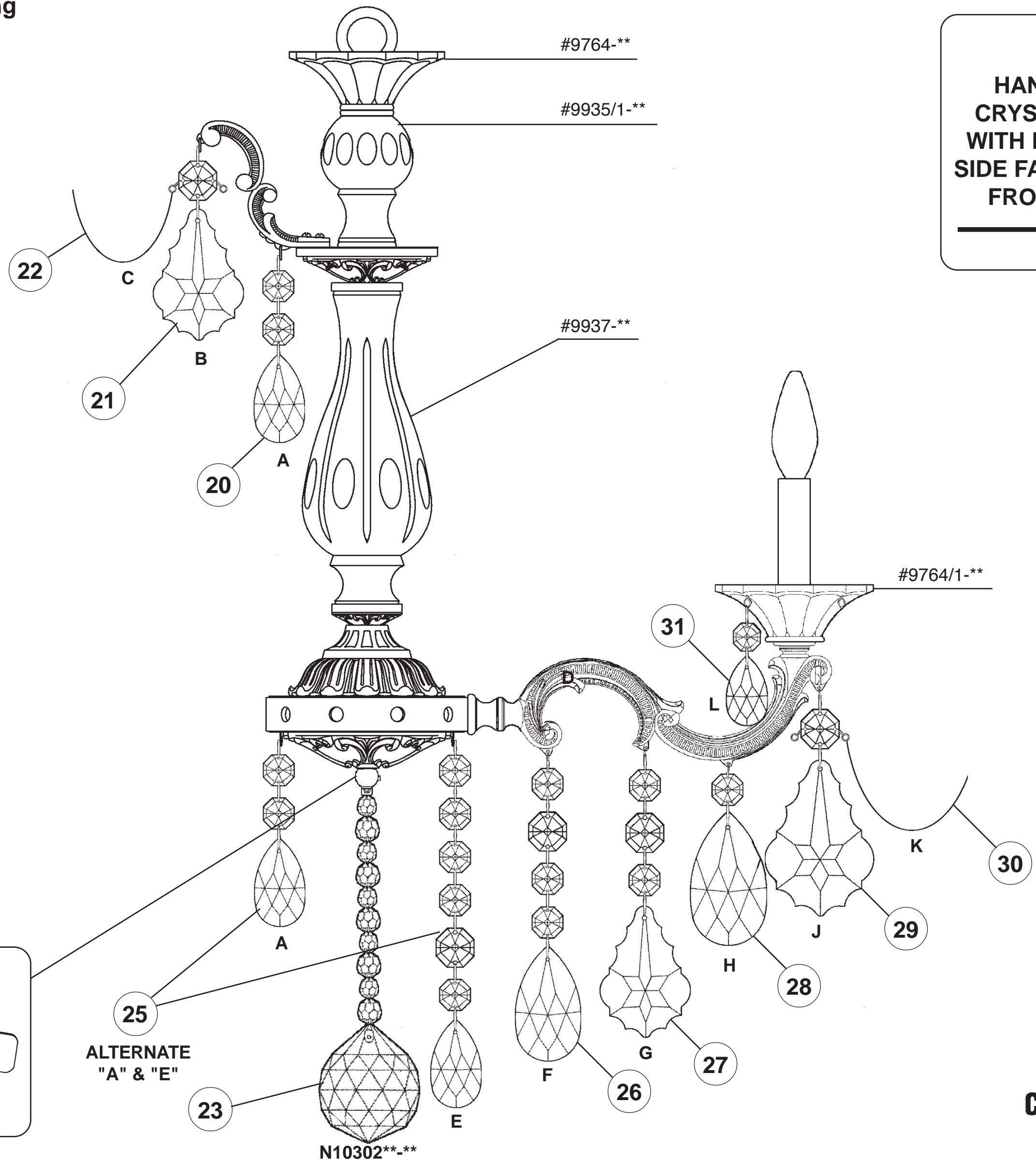
STEPS 19 - 31



19

You will need 10 - B10
25 Watts Recommended
60 Watts Max

Install bulbs and be
sure to test fixture
BEFORE trimming.



HANG
CRYSTAL
WITH FLAT
SIDE FACING
FRONT



Tighten With
Tool Provided.