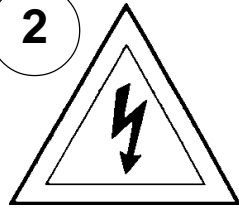


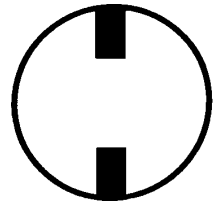
Instructions for electrician
STEPS 2 - 18

WARNING:

2

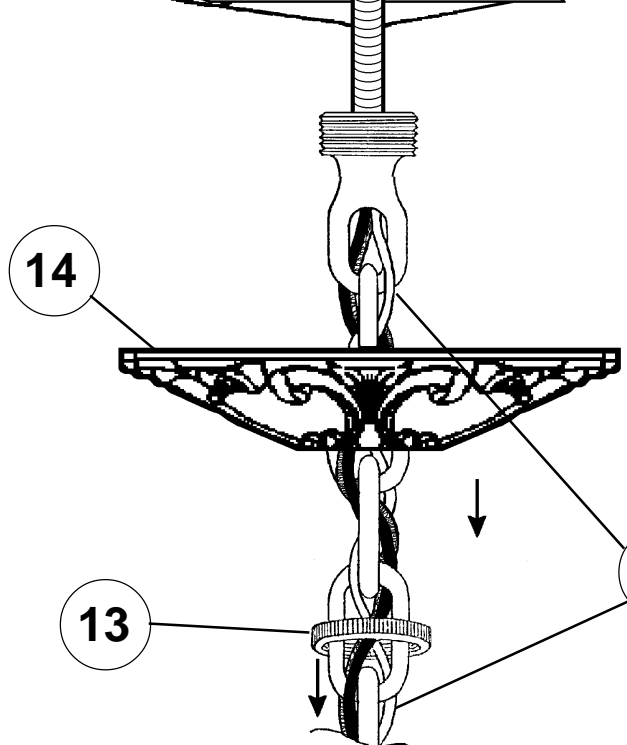
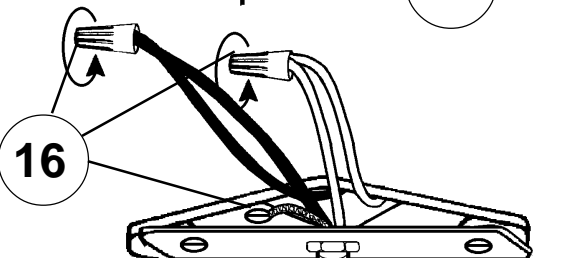
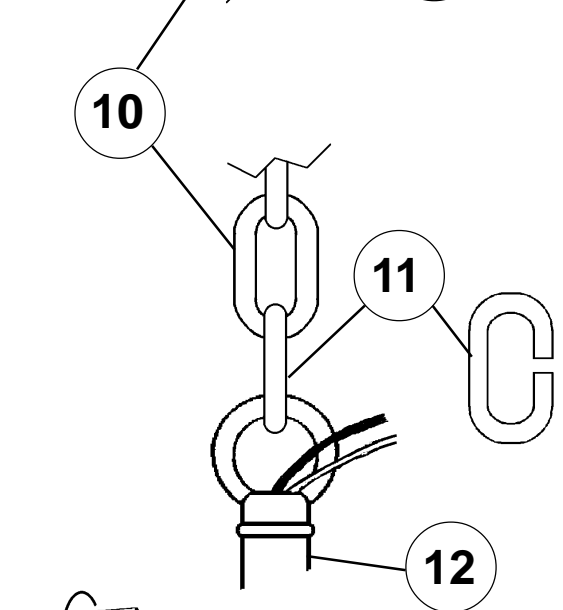
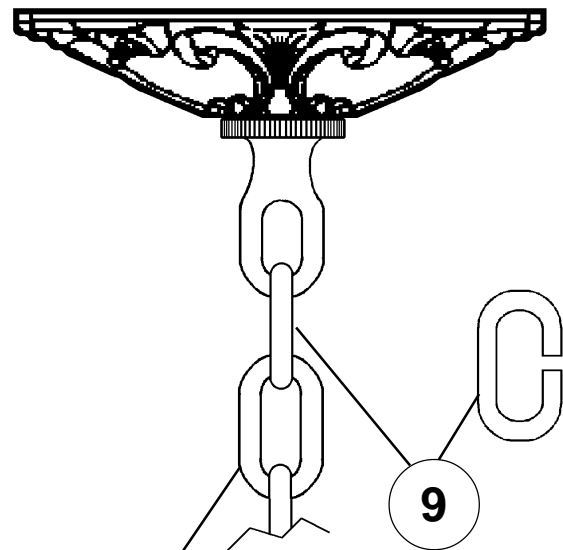
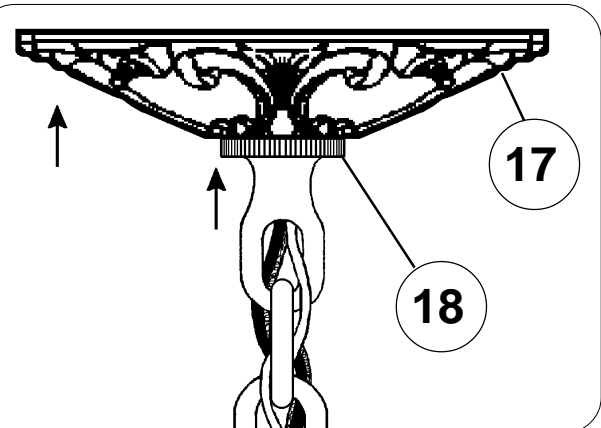
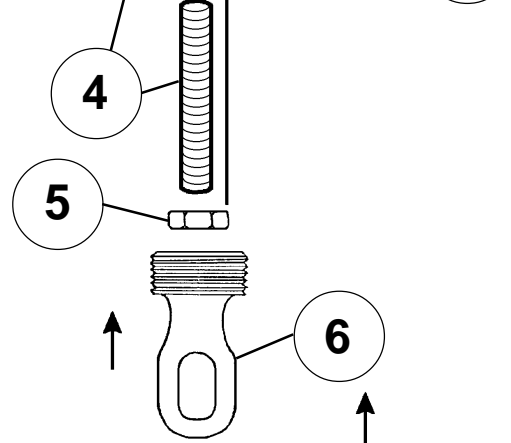
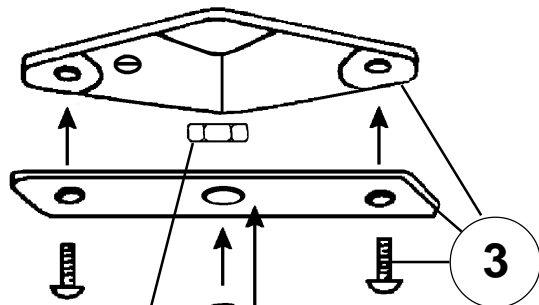


Electrical Danger



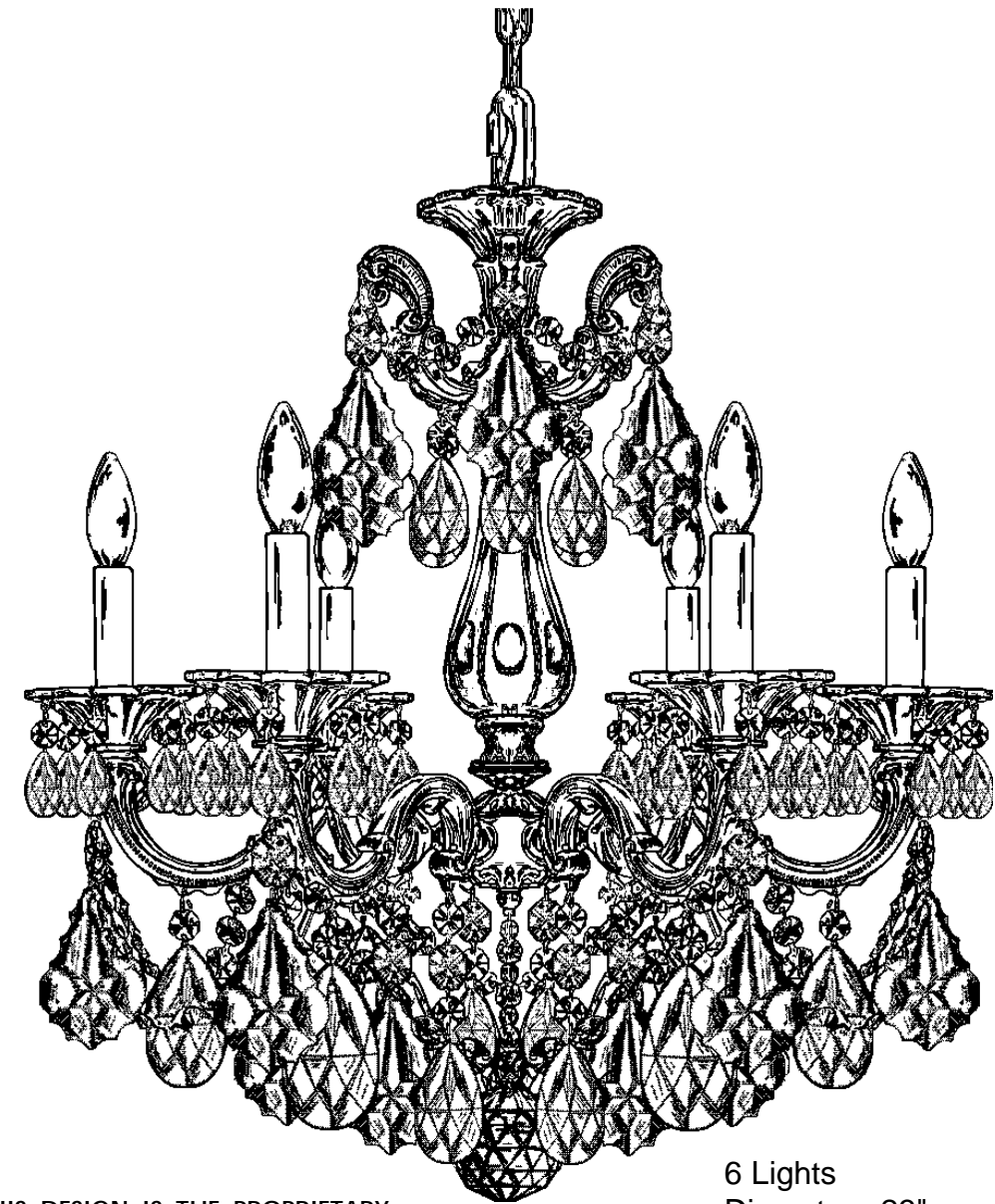
Turn Power Off

All electrical components must be installed by a licensed electrician in accordance with the National Electric Code and the appropriate local electrical codes.



CHANDELIER 5072- _____ TRIM DIAGRAM

(Finish Option) (Trim Option)



THIS DESIGN IS THE PROPRIETARY TRADE DRESS/TRADEMARK OF SCHONBEK WORLDWIDE LIGHTING INC.

6 Lights
Diameter: 23"
Body Length: 25"
Hanging Weight: 18 lbs.

SCHONBEK®

See diagram on back page
Follow steps in exact order
Save this trim diagram for future reference

1

IMPORTANT

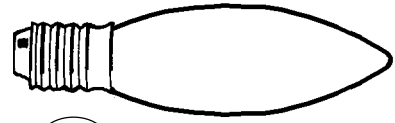
Person who opens carton should record the following information for future service.

CODE # _____ Four-digit number on outside of carton.
PACKER # _____ See crystal package label.
ORDER # _____ See crystal package label.



Instructions for crystal trimming

STEPS 19 - 30



19

You will need 6 - C10
25 Watts Recommended
60 Watts Max

Install bulbs and be
sure to test fixture
BEFORE trimming.

