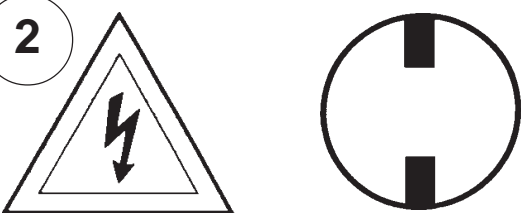


## Instructions for electrician STEPS 2 - 18

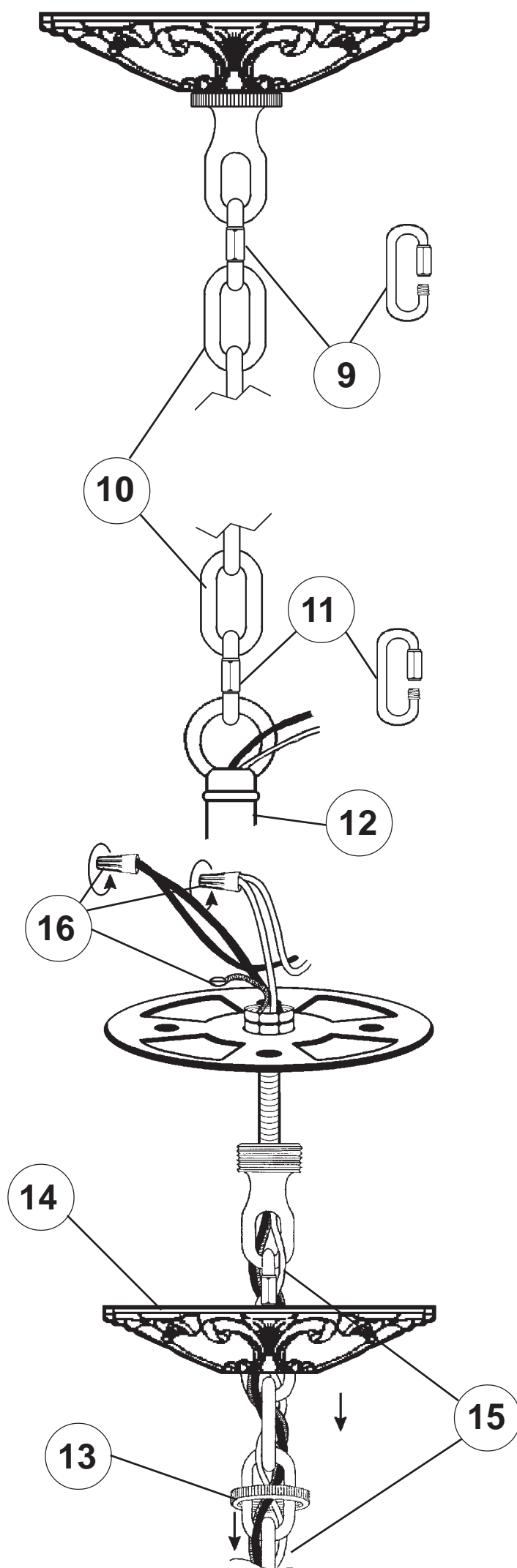
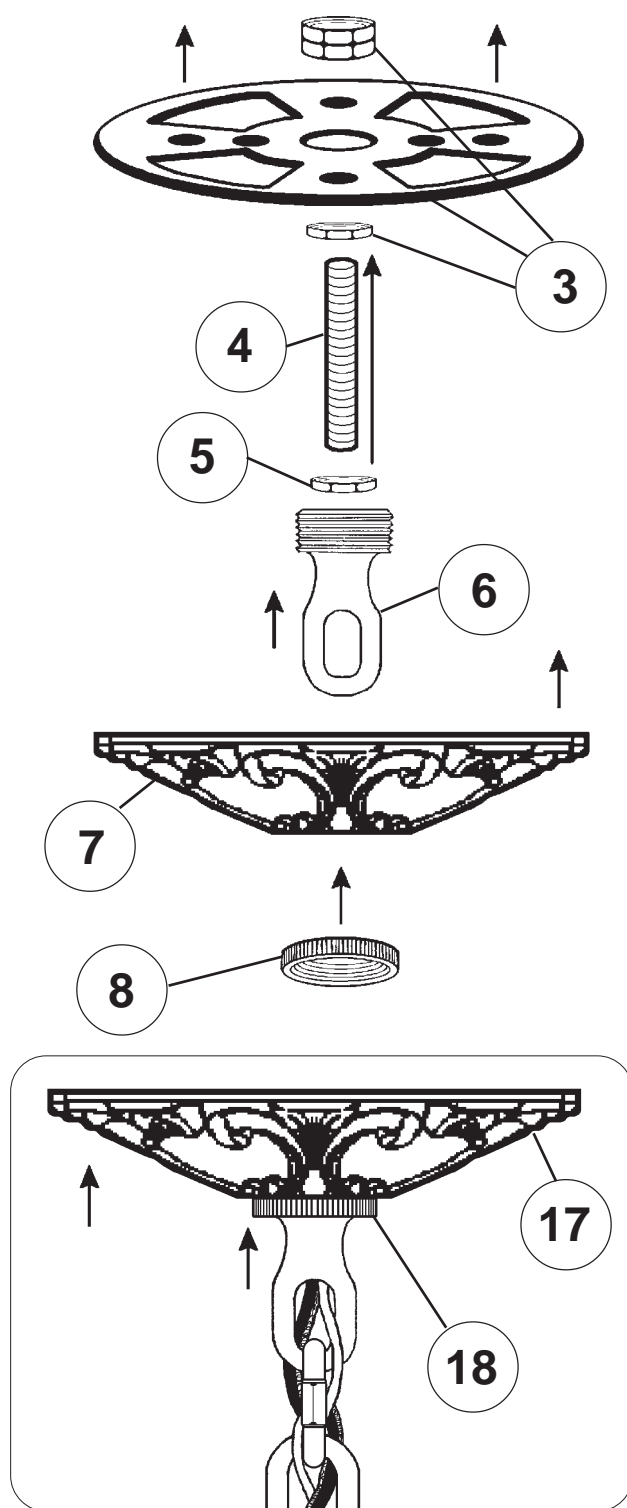
**WARNING:** THIS LUMINAIRE MUST BE MOUNTED OR SUPPORTED INDEPENDENTLY OF AN OUTLET BOX.

**WARNING:**



**Electrical Danger Turn Power Off**

All electrical components must be installed by a licensed electrician in accordance with the National Electric Code and the appropriate local electrical codes.



## CHANDELIER 5014- \_\_\_ \_\_\_ A TRIM DIAGRAM

(Finish Option)



27 Lights  
Diameter: 48-1/2"  
Body Length: 54"  
Hanging Weight: 142 pounds

**T**HIS DESIGN IS THE PROPRIETARY TRADE DRESS/TRADEMARK OF SCHONBEK WORLDWIDE LIGHTING INC.

# SCHONBEK®

**See diagram on back page  
Follow steps in exact order  
Save this trim diagram for future reference**

**1 IMPORTANT**  
*Person who opens carton should record the following information for future service.*

CODE # \_\_\_\_\_ Four-digit number on outside of carton.  
PACKER # \_\_\_\_\_ See crystal package label.  
ORDER # \_\_\_\_\_ See crystal package label.

