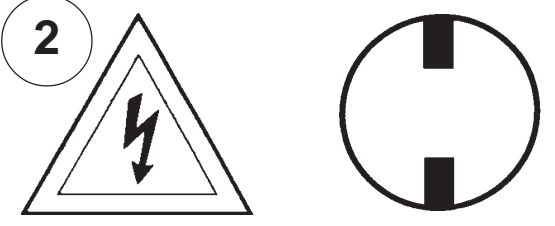


Instructions for electrician
STEPS 2 - 18

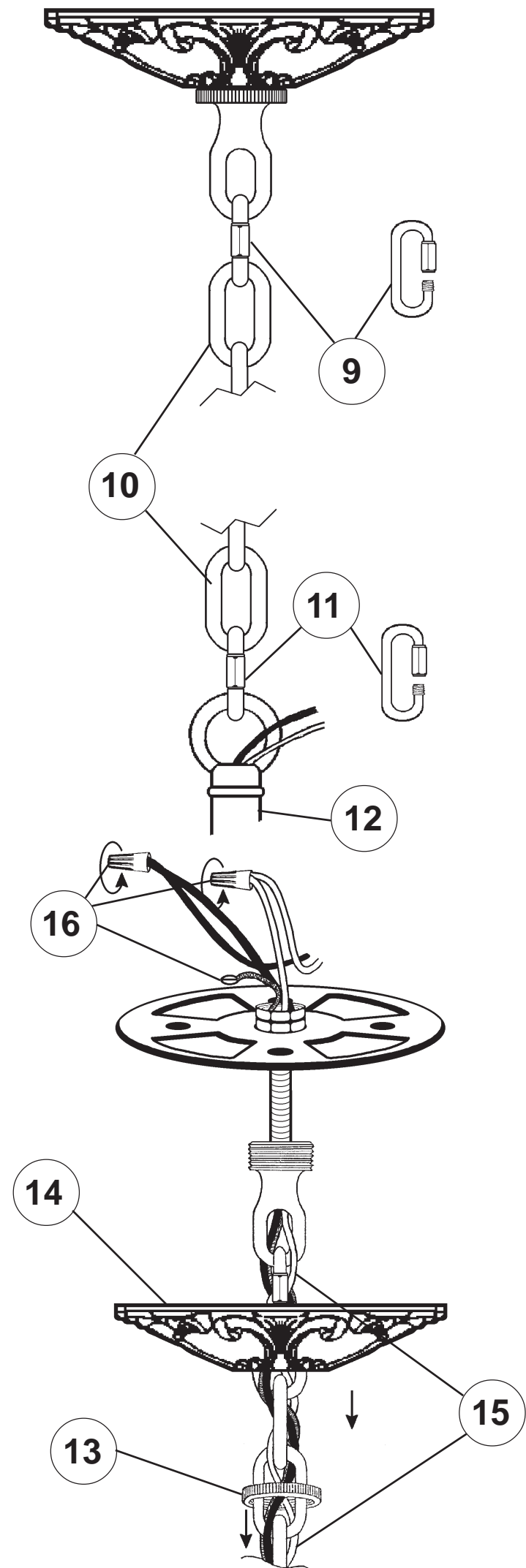
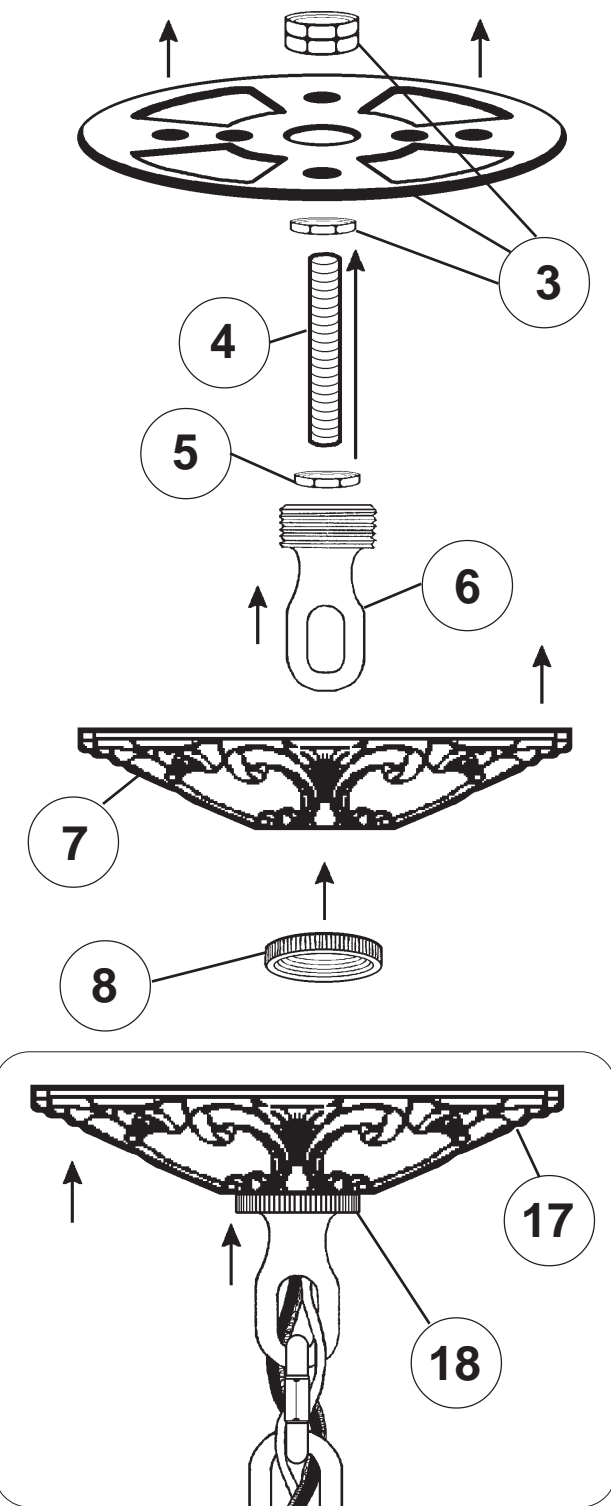
WARNING: THIS LUMINAIRE MUST BE MOUNTED OR SUPPORTED INDEPENDENTLY OF AN OUTLET BOX.

WARNING:



2 Electrical Danger Turn Power Off

All electrical components must be installed by a licensed electrician in accordance with the National Electric Code and the appropriate local electrical codes.



CHANDELIER 5012- _____ TRIM DIAGRAM

(Finish Option) (Trim Option)



25 Lights
Diameter: 35"
Body Length: 53"
Hanging Weight: 92 lbs.

THIS DESIGN IS THE PROPRIETARY TRADE DRESS/TRADEMARK OF SCHONBEK WORLDWIDE LIGHTING INC.

SCHONBEK®

See diagram on back page
Follow steps in exact order
Save this trim diagram for future reference

IMPORTANT

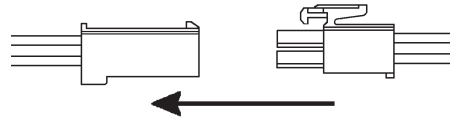
1 Person who opens carton should record the following information for future service.

| | |
|----------------|---|
| CODE # _____ | Four-digit number on outside of carton. |
| PACKER # _____ | See crystal package label. |
| ORDER # _____ | See crystal package label. |

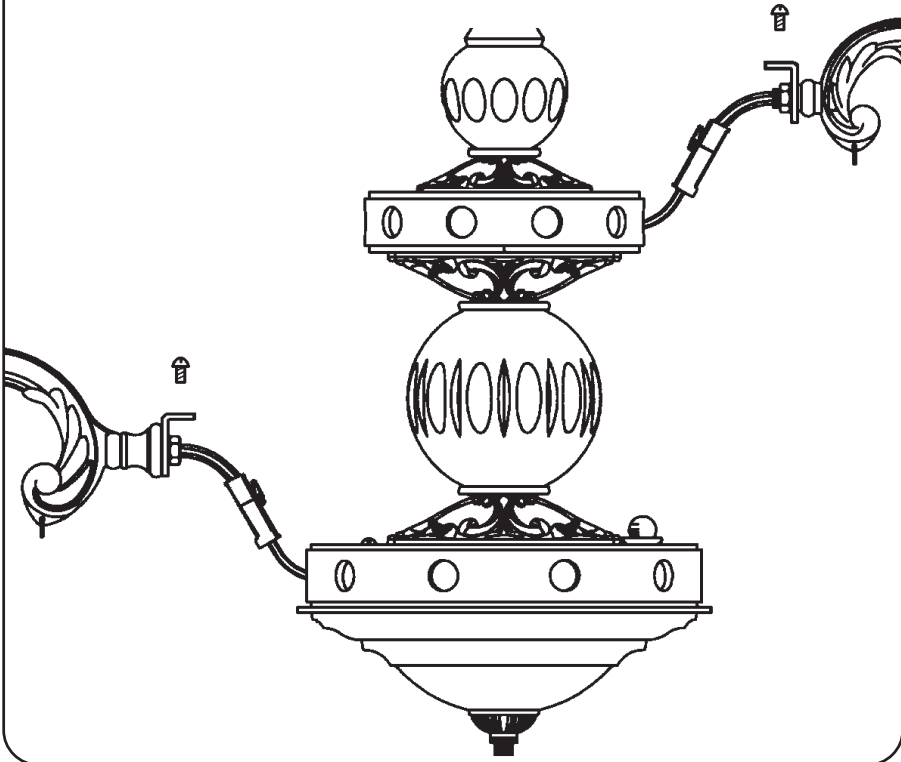
SCHONBEK IS A WORLD LEADER IN CHANDELIER DESIGN. PATENTS INCLUDE: #5,460,269 & #5,873,652

Instructions for crystal trimming STEPS 19 - 42

19 Connect plug-in connectors:



20 Push wires into hole and attach arm (bracket) to frame with screw.



21

You will need 25 - B10
25 Watts Recommended
60 Watts Max

Install bulbs and be
sure to test fixture
BEFORE trimming.

HANG
CRYSTAL
WITH FLAT
SIDE TO
FRONT

