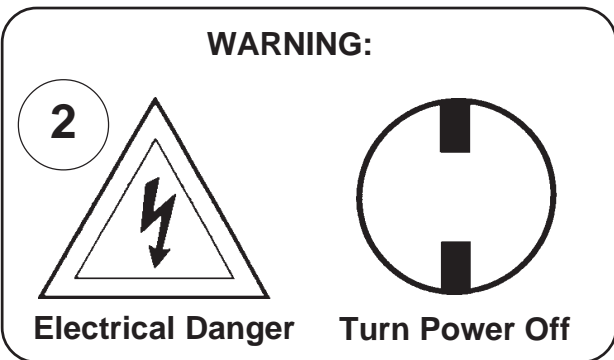
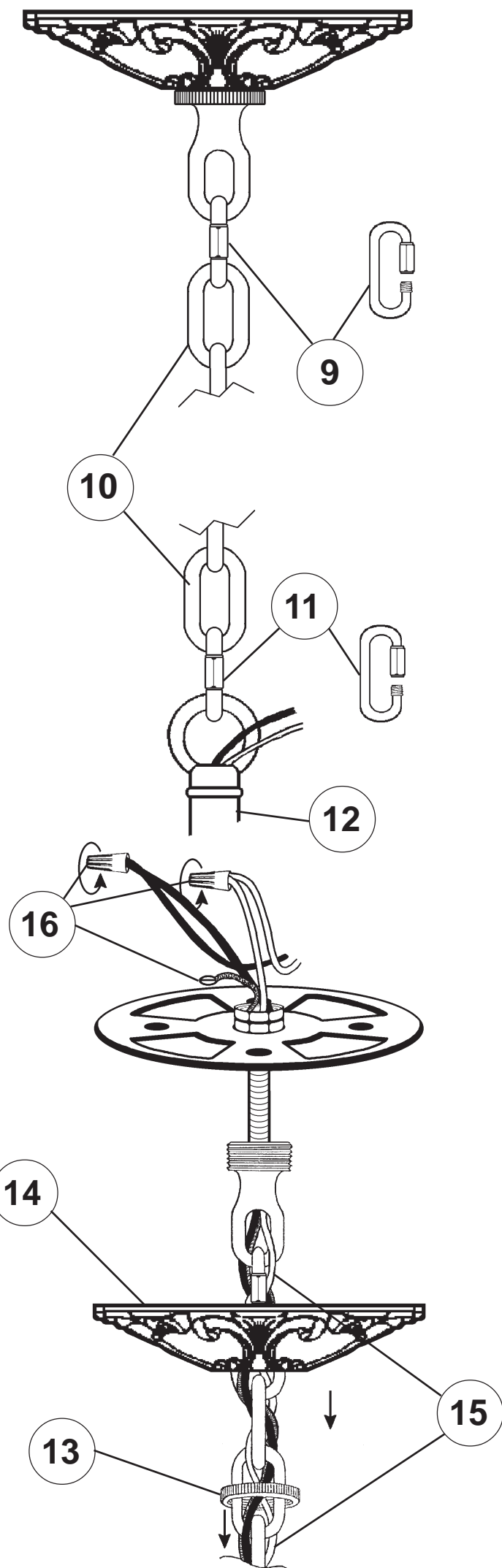
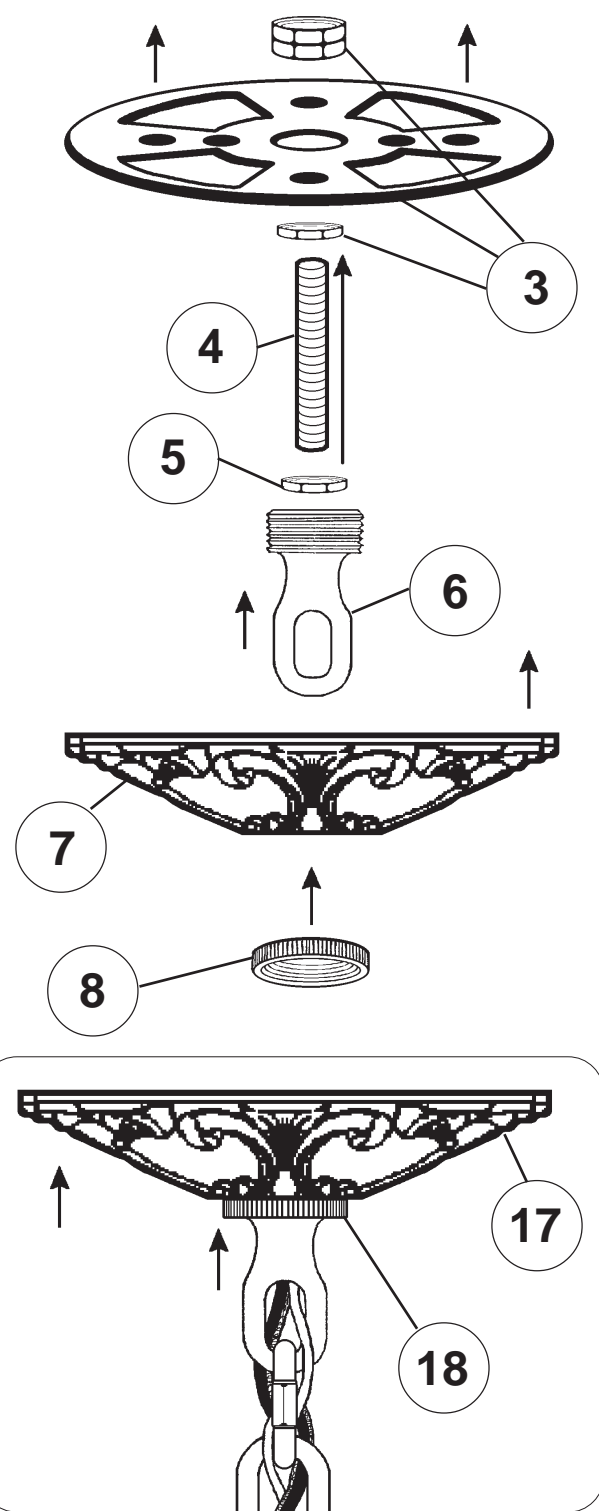


## Instructions for electrician STEPS 2 - 18

**WARNING:** THIS LUMINAIRE MUST BE MOUNTED OR SUPPORTED INDEPENDENTLY OF AN OUTLET BOX.

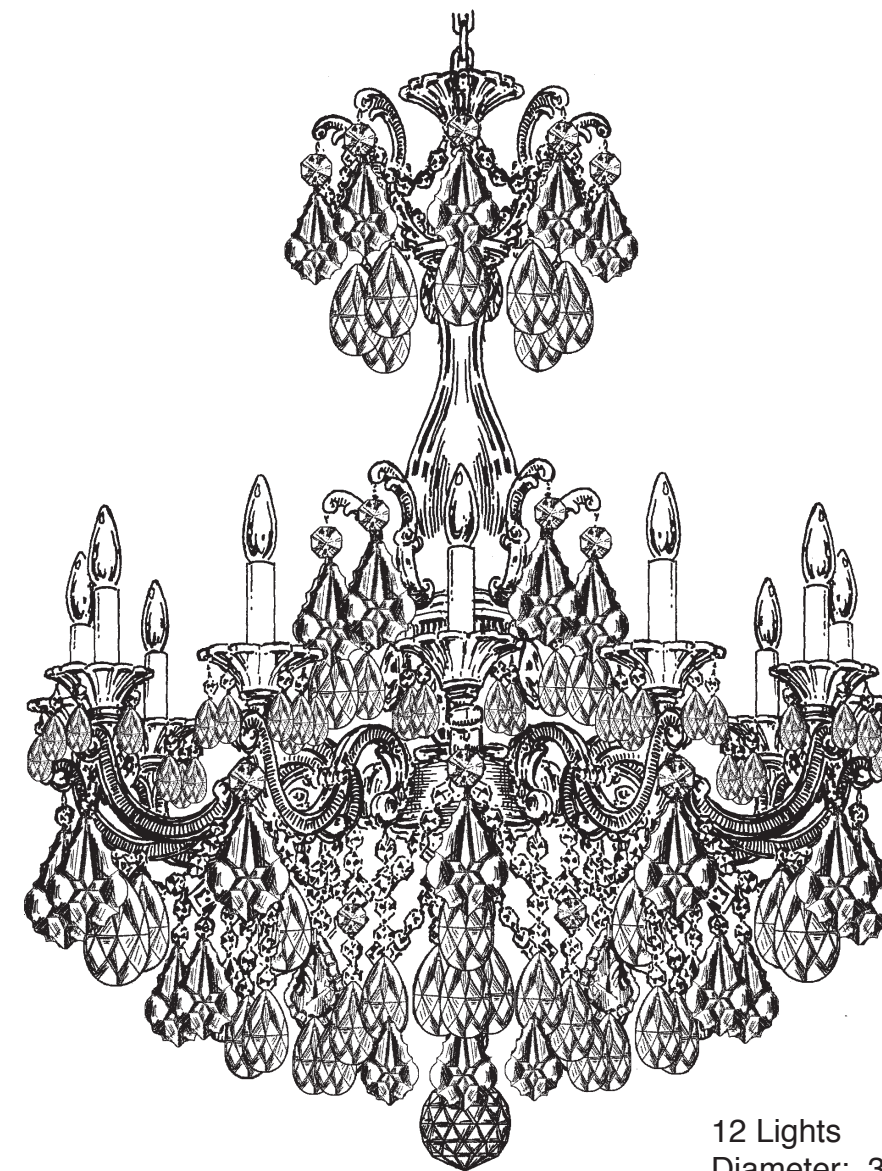


All electrical components must be installed by a licensed electrician in accordance with the National Electric Code and the appropriate local electrical codes.



## CHANDELIER 5011- \_\_\_\_\_ TRIM DIAGRAM

(Finish Option) (Trim Option)



12 Lights  
Diameter: 33"  
Body Length: 41"  
Hanging Weight: 68 lbs.

**T**HIS DESIGN IS THE PROPRIETARY TRADE DRESS/TRADemark OF SCHONBEK WORLDWIDE LIGHTING INC.

# SCHONBEK®

See diagram on back page  
Follow steps in exact order  
Save this trim diagram for future reference

**IMPORTANT**  
**1** Person who opens carton should record the following information for future service.

CODE # \_\_\_\_\_ Four-digit number on outside of carton.  
PACKER # \_\_\_\_\_ See crystal package label.  
ORDER # \_\_\_\_\_ See crystal package label.

SCHONBEK IS A WORLD LEADER IN CHANDELIER DESIGN. PATENTS INCLUDE:  
#5,460,269 & #5,873,652

**Instructions for crystal trimming**  
**STEPS 19 - 37**

