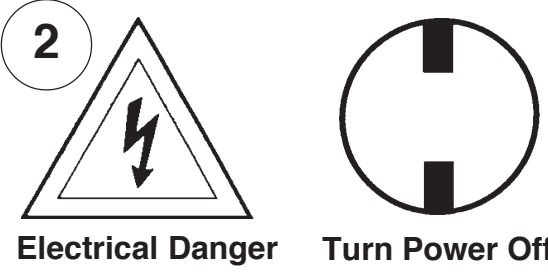


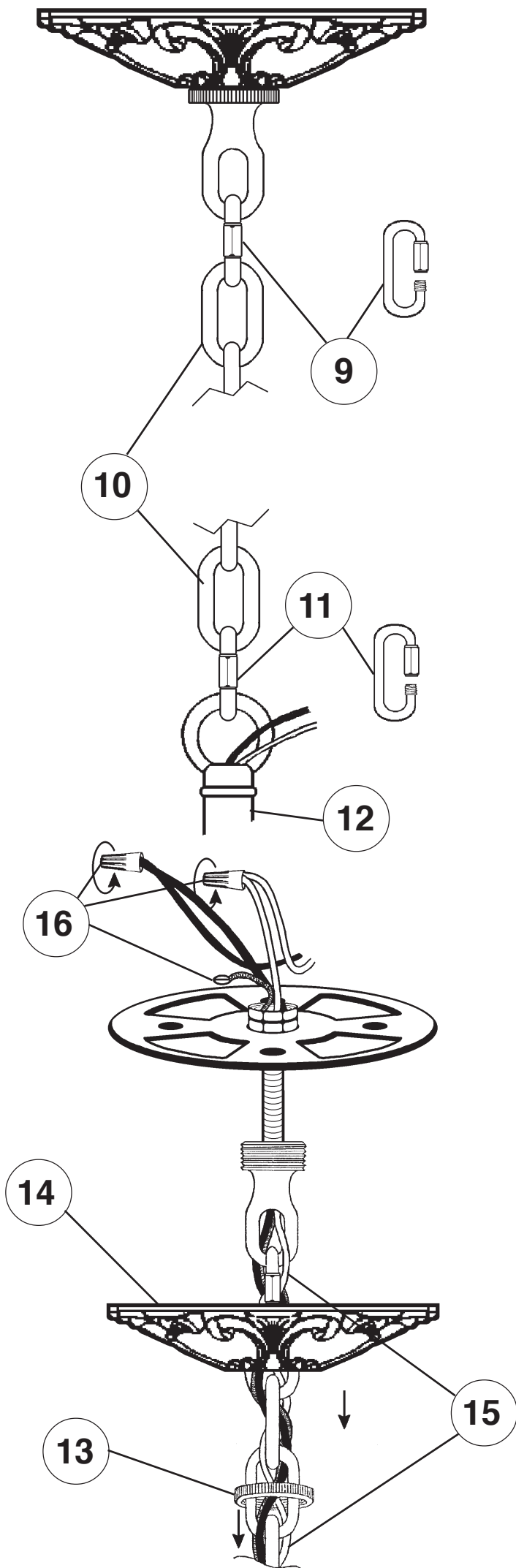
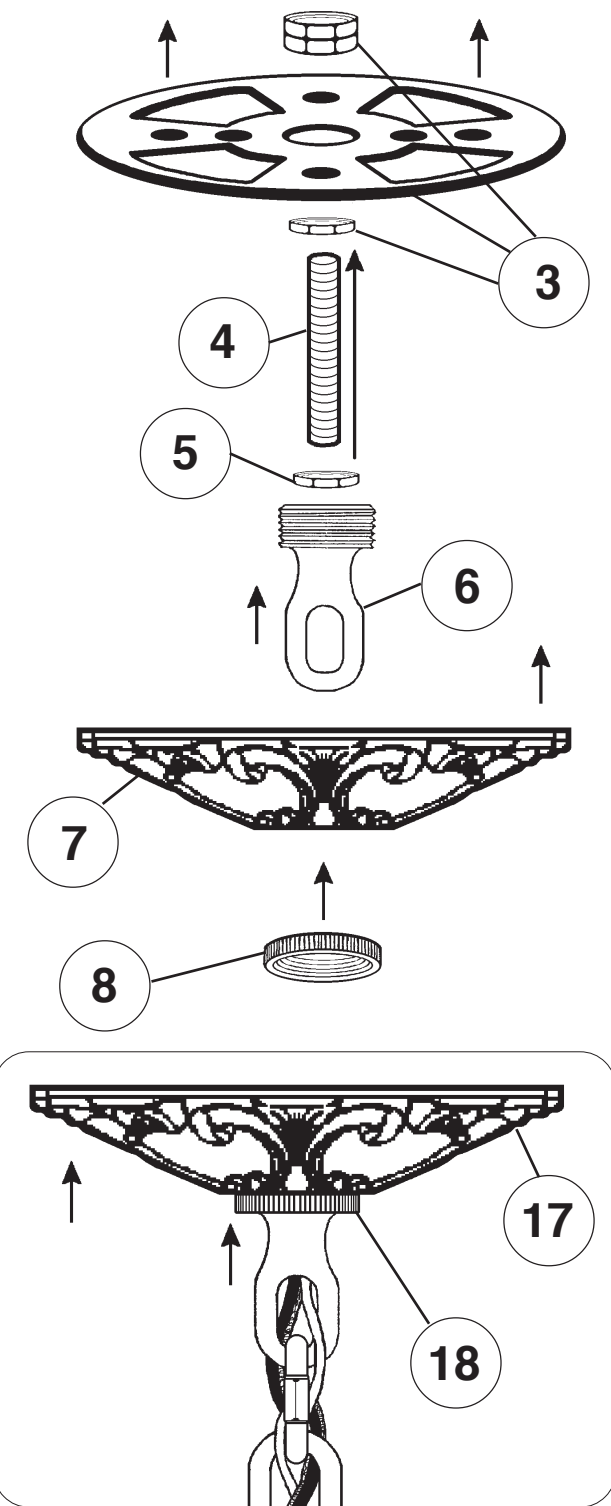
Instructions for electrician STEPS 2 - 18

WARNING: THIS LUMINAIRE MUST BE MOUNTED OR SUPPORTED INDEPENDENTLY OF AN OUTLET BOX.

WARNING:

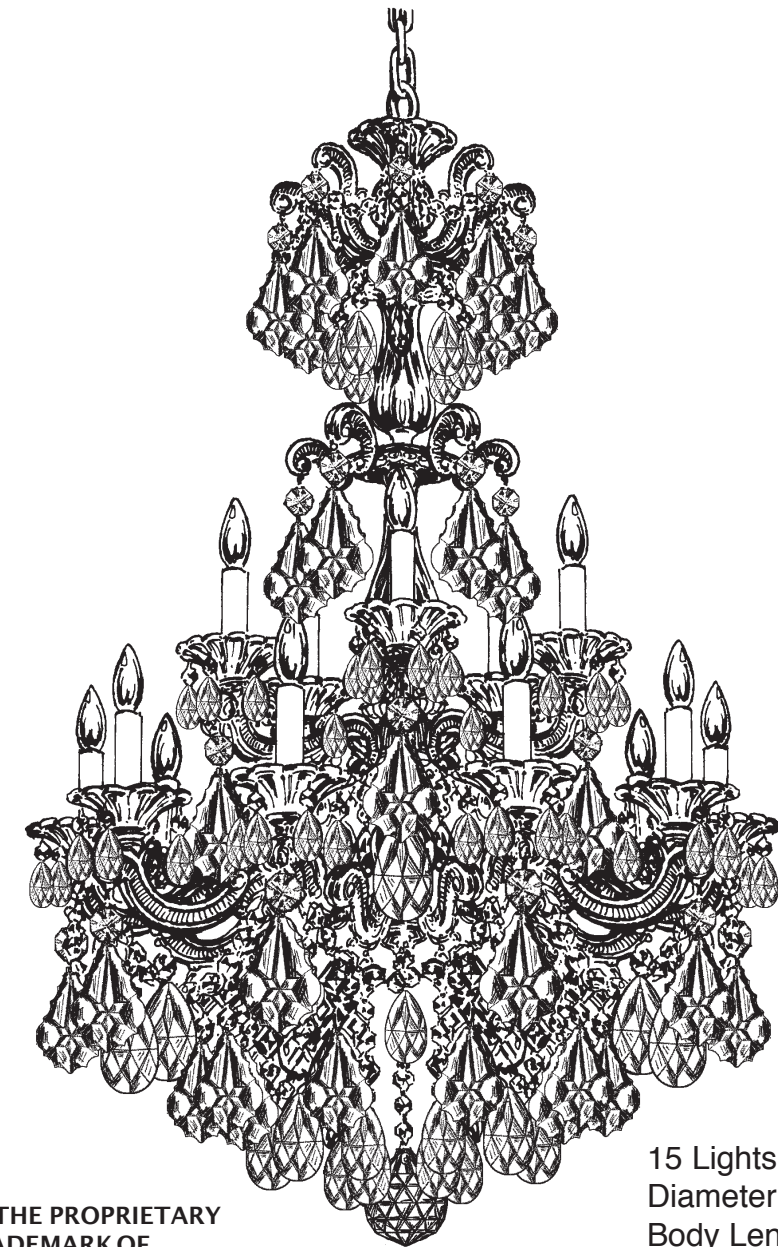


All electrical components must be installed by a licensed electrician in accordance with the National Electric Code and the appropriate local electrical codes.



CHANDELIER 5010- _____ TRIM DIAGRAM

(Finish Option) (Trim Option)



15 Lights
Diameter: 28"
Body Length: 45"
Hanging Weight: 50 lbs.

THIS DESIGN IS THE PROPRIETARY TRADE DRESS/TRADemark OF SCHONBEK WORLDWIDE LIGHTING INC.

SCHONBEK®

**See diagram on back page
Follow steps in exact order
Save this trim diagram for future reference**

IMPORTANT

1 *Person who opens carton should record the following information for future service.*

CODE # _____ Four-digit number on outside of carton.

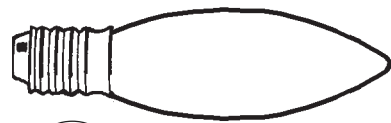
PACKER # _____ See crystal package label.

ORDER # _____ See crystal package label.



Instructions for crystal trimming

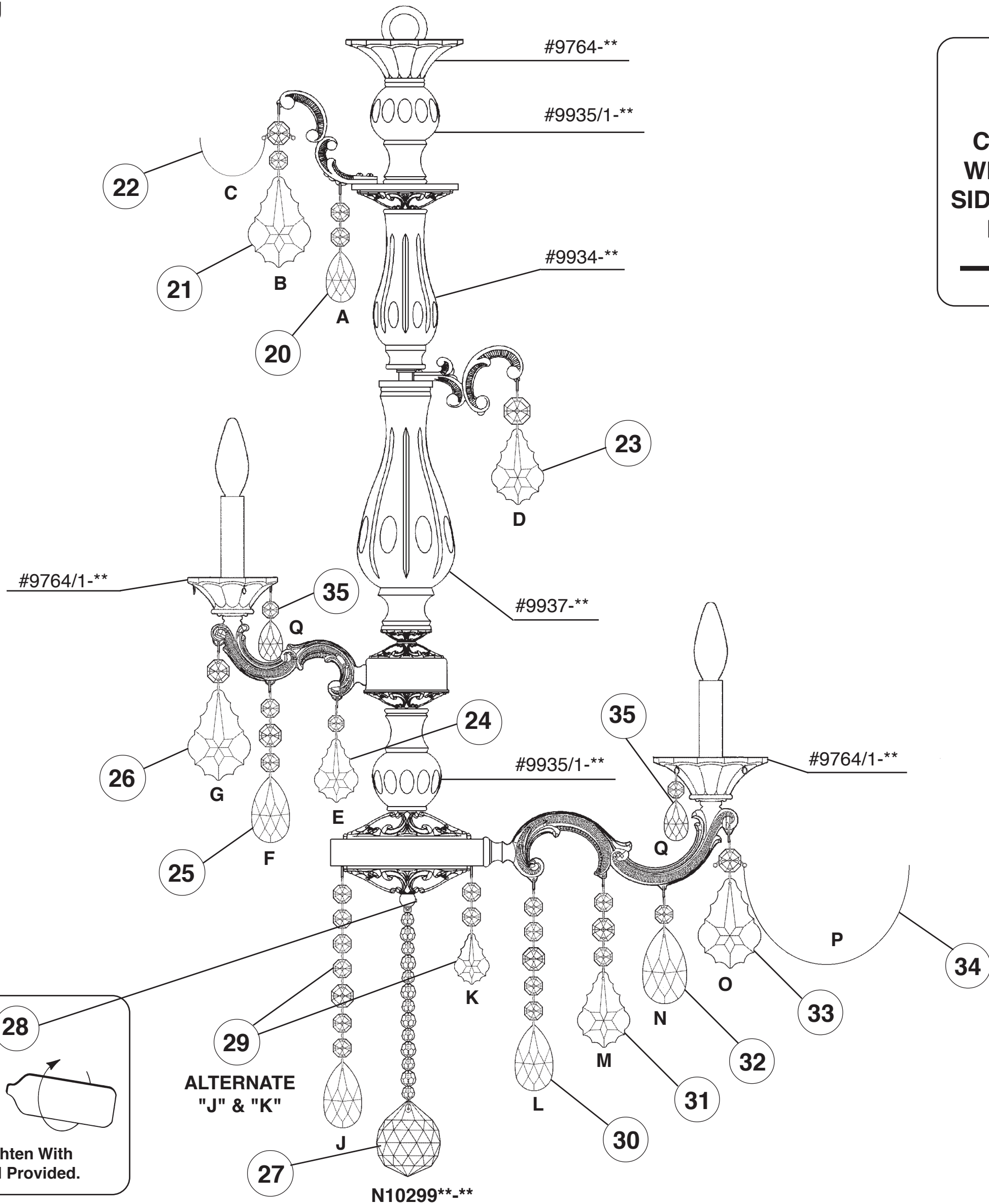
STEPS 19 - 35



19

You will need 15 - B10
25 Watts Recommended
60 Watts Max

Install bulbs and be
sure to test fixture
BEFORE trimming.



#9764-**

#9935/1-**

#9934-**

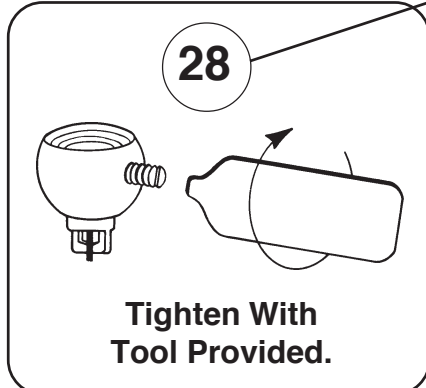
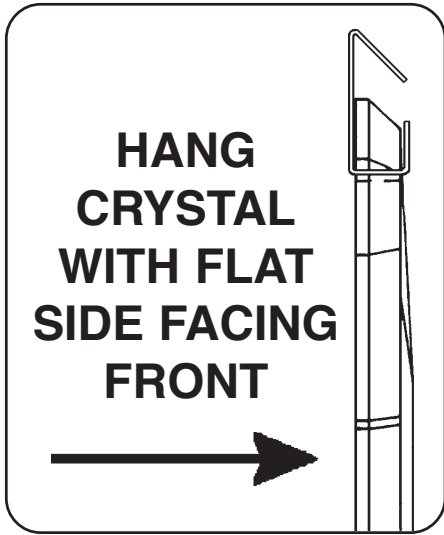
#9937-**

#9935/1-**

#9764/1-**

#9764/1-**

N10299**-**



ALTERNATE
"J" & "K"

