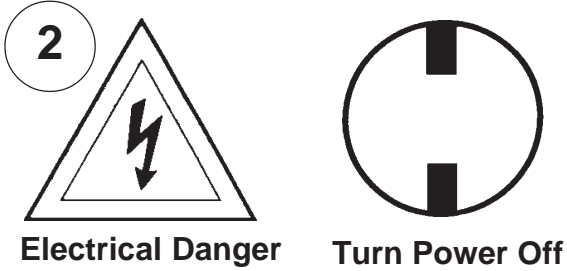
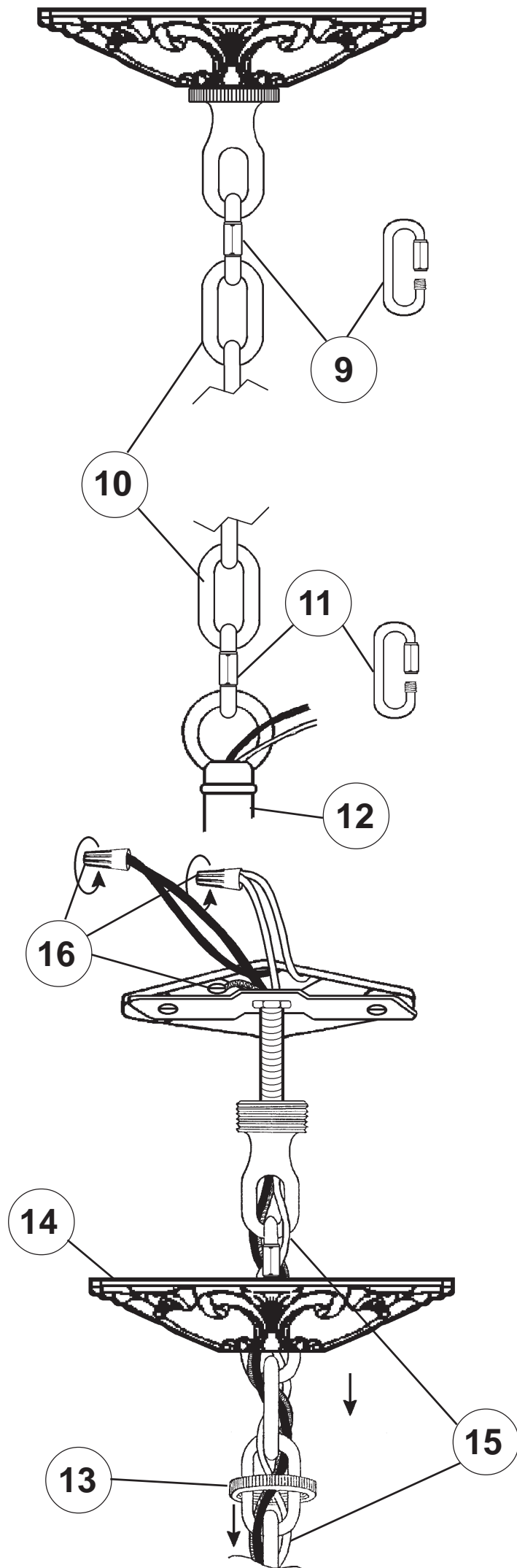
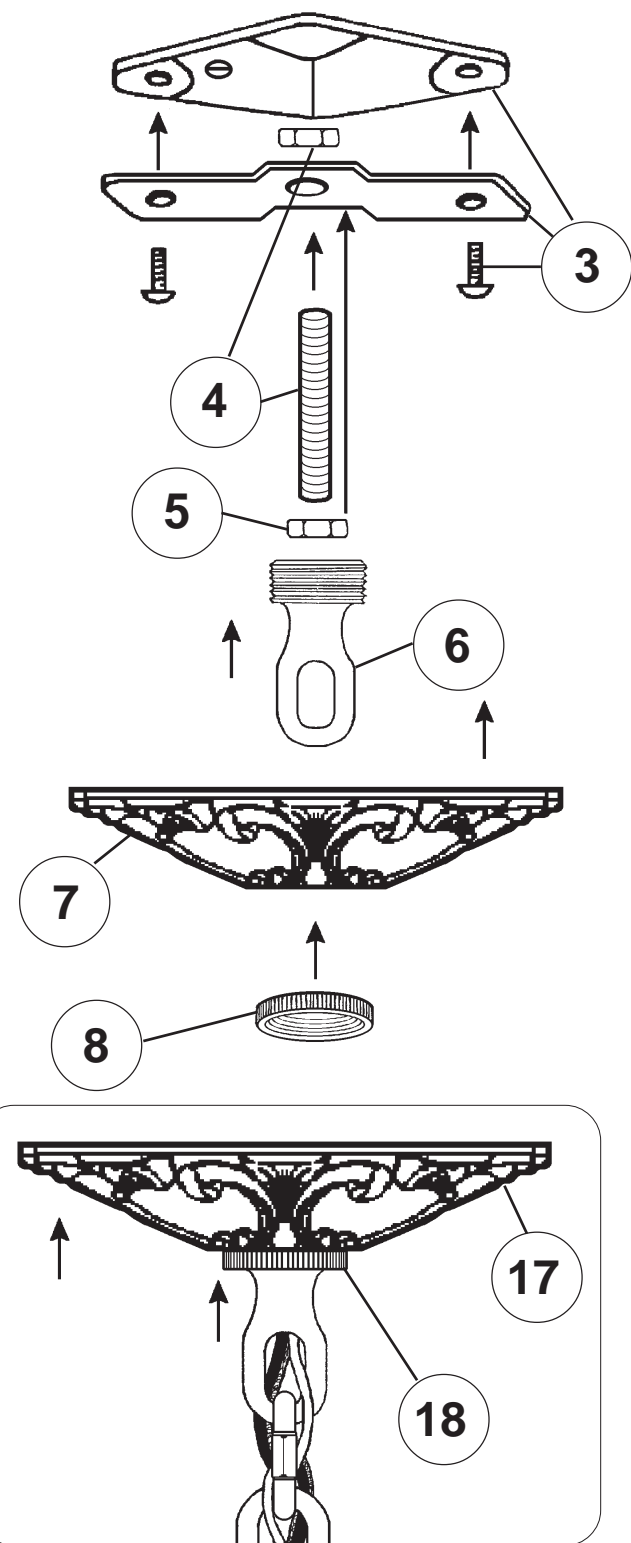


Instructions for electrician
STEPS 2 - 18

WARNING:



All electrical components must be installed by a licensed electrician in accordance with the National Electric Code and the appropriate local electrical codes.



CHANDELIER 5009- _____ TRIM DIAGRAM

(Finish Option) (Trim Option)



12 Lights
Diameter: 25"
Body Length: 38-1/2"
Hanging Weight: 36 lbs.

THIS DESIGN IS THE PROPRIETARY TRADE DRESS/TRADEMARK OF SCHONBEK WORLDWIDE LIGHTING INC.

SCHONBEK®

See diagram on back page
Follow steps in exact order
Save this trim diagram for future reference

IMPORTANT

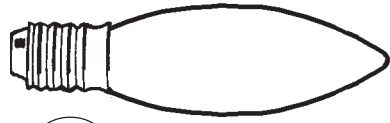
1 Person who opens carton should record the following information for future service.

CODE # _____ Four-digit number on outside of carton.
PACKER # _____ See crystal package label.
ORDER # _____ See crystal package label.



Instructions for crystal trimming

STEPS 19 - 34



19

You will need 12 - B10
25 Watts Recommended
60 Watts Max

Install bulbs and be
sure to test fixture
BEFORE trimming.

#9764-**

#9935/1-**

#9937-**

