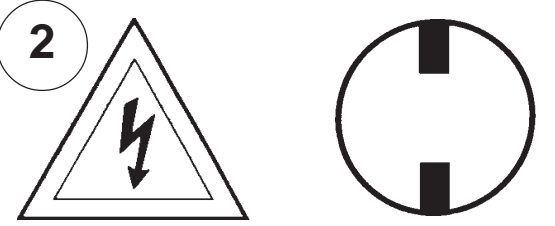


Instructions for electrician
STEPS 2 - 18

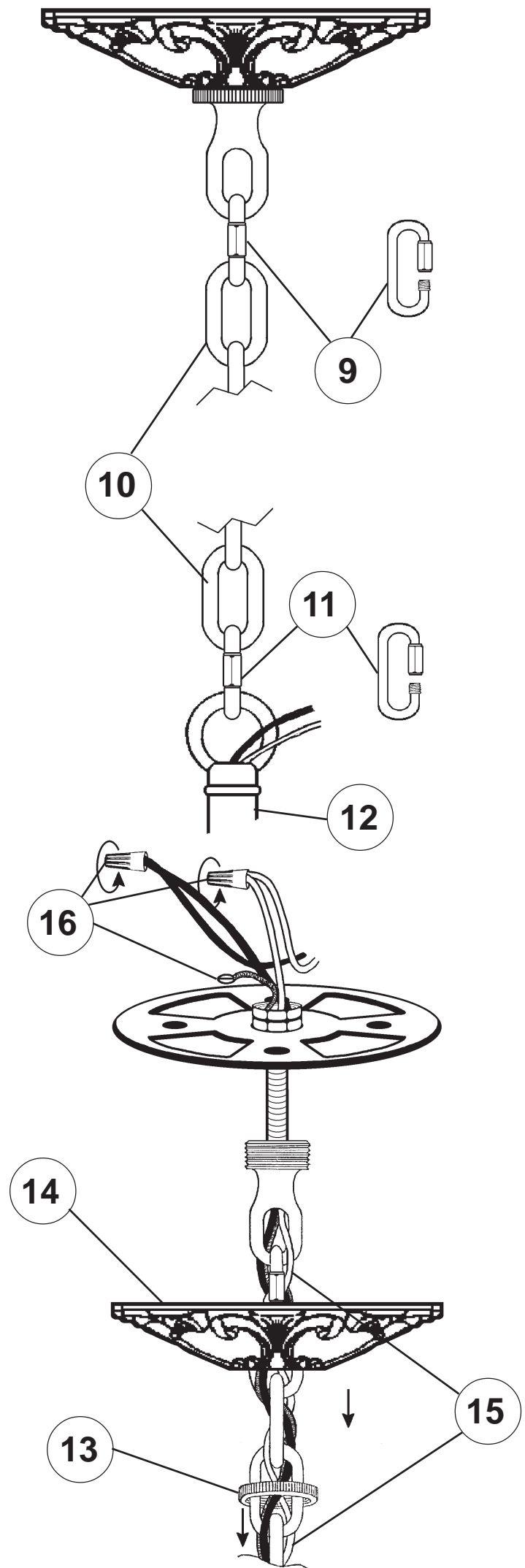
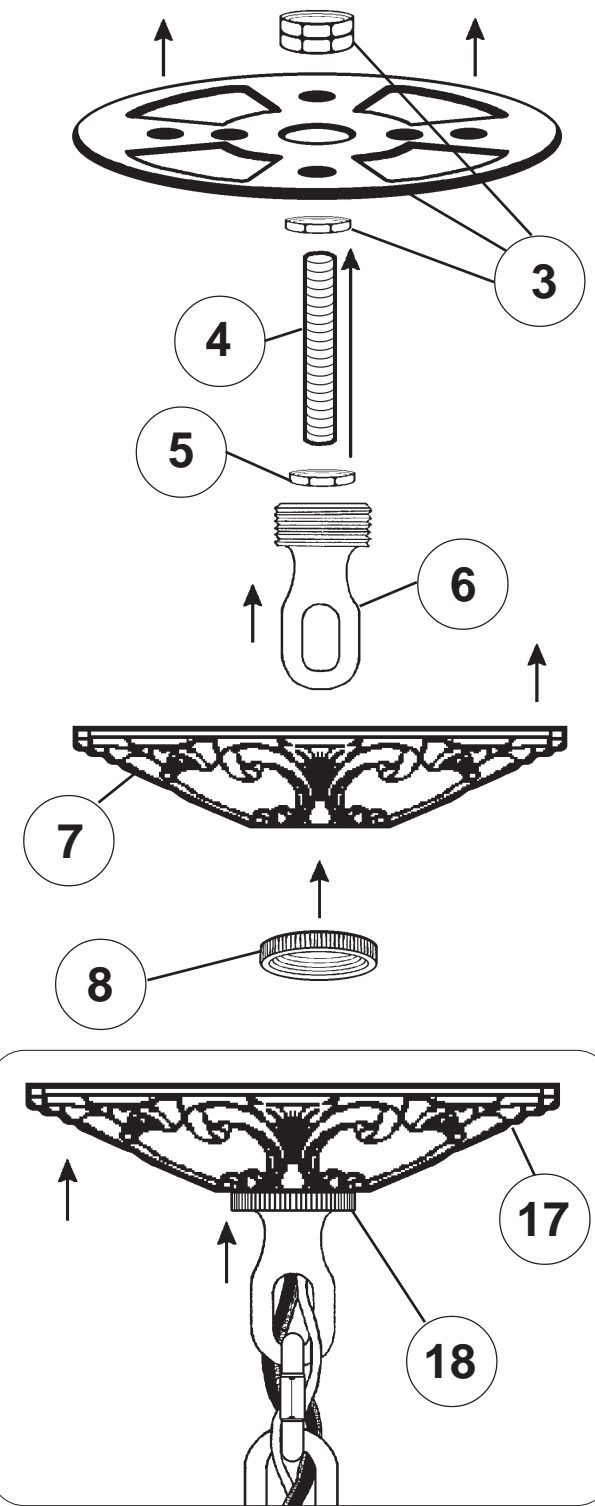
WARNING: THIS LUMINAIRE MUST BE MOUNTED OR SUPPORTED INDEPENDENTLY OF AN OUTLET BOX.

WARNING:



2 Electrical Danger Turn Power Off

All electrical components must be installed by a licensed electrician in accordance with the National Electric Code and the appropriate local electrical codes.



CHANDELIER 5008- _____ TRIM DIAGRAM

(Finish Option) (Trim Option)



10 Lights
Diameter: 28"
Body Length: 38"
Hanging Weight: 50 lbs.

THIS DESIGN IS THE PROPRIETARY TRADE DRESS/TRADemark OF SCHONBEK WORLDWIDE LIGHTING INC.

SCHONBEK®

See diagram on back page
Follow steps in exact order
Save this trim diagram for future reference

IMPORTANT

1 Person who opens carton should record the following information for future service.

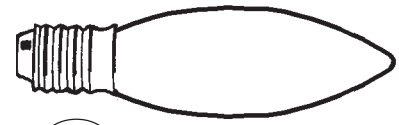
| | |
|----------------|---|
| CODE # _____ | Four-digit number on outside of carton. |
| PACKER # _____ | See crystal package label. |
| ORDER # _____ | See crystal package label. |

SCHONBEK IS A WORLD LEADER IN CHANDELIER DESIGN. PATENTS INCLUDE: #D5,460,269 & #D5,873,652



Instructions for crystal trimming

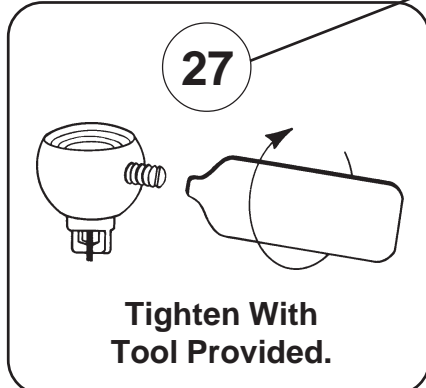
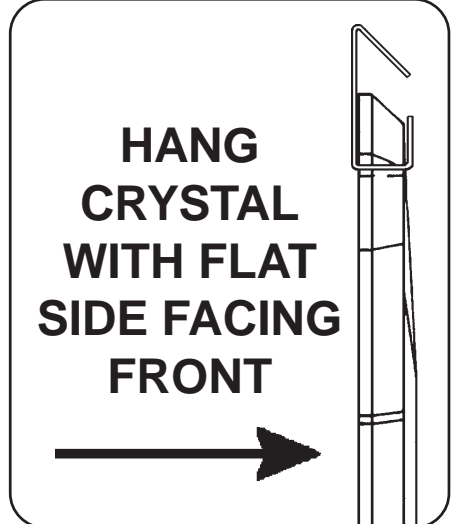
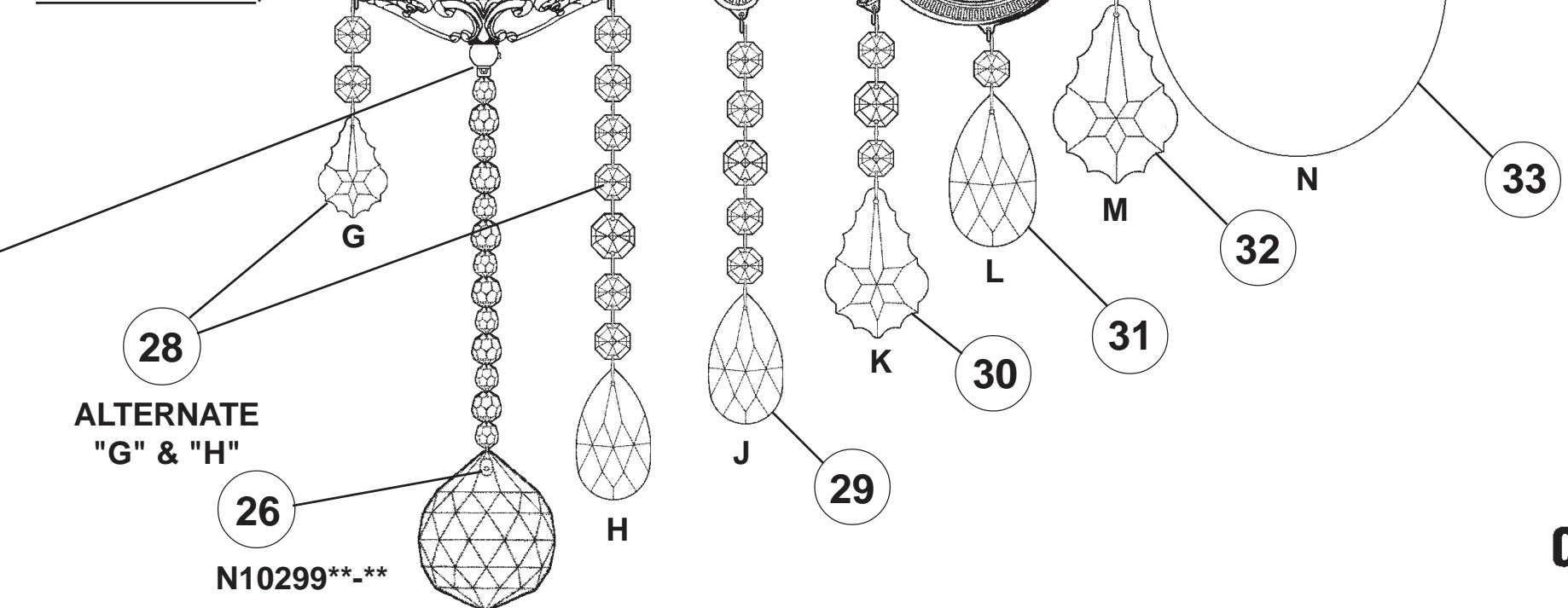
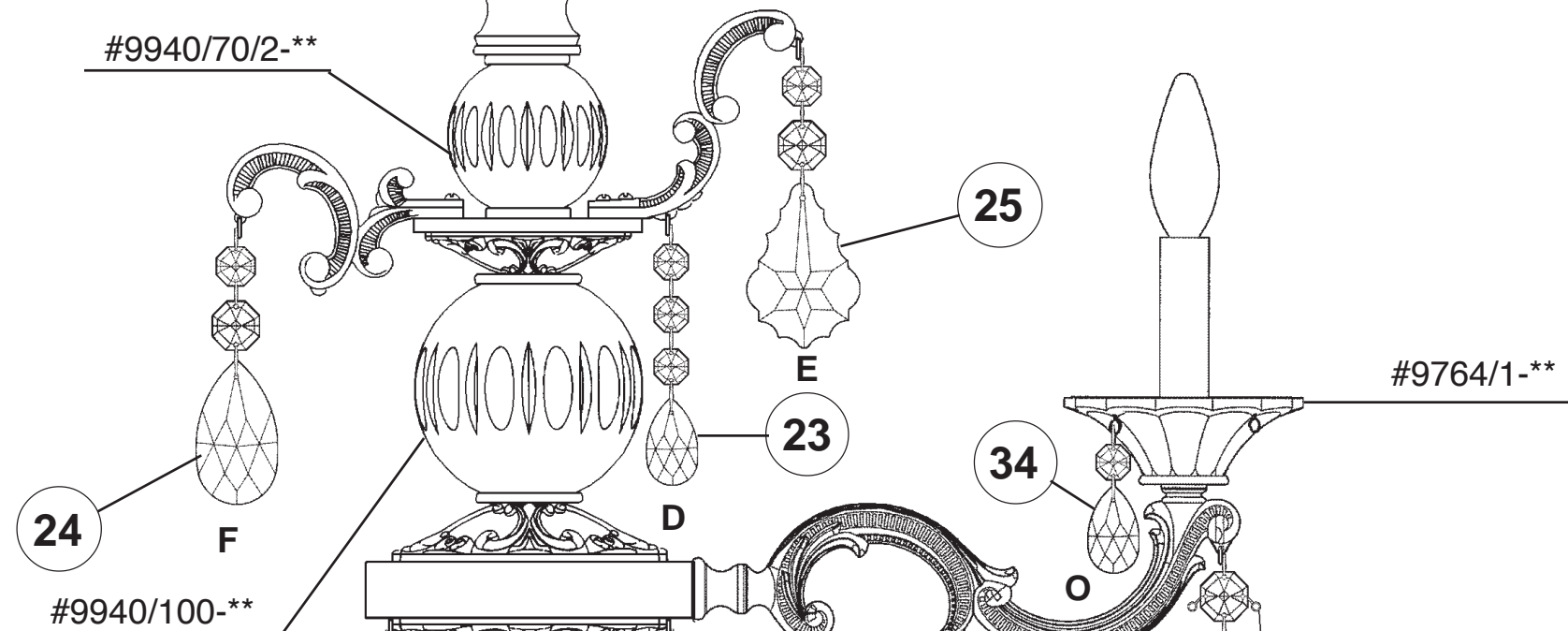
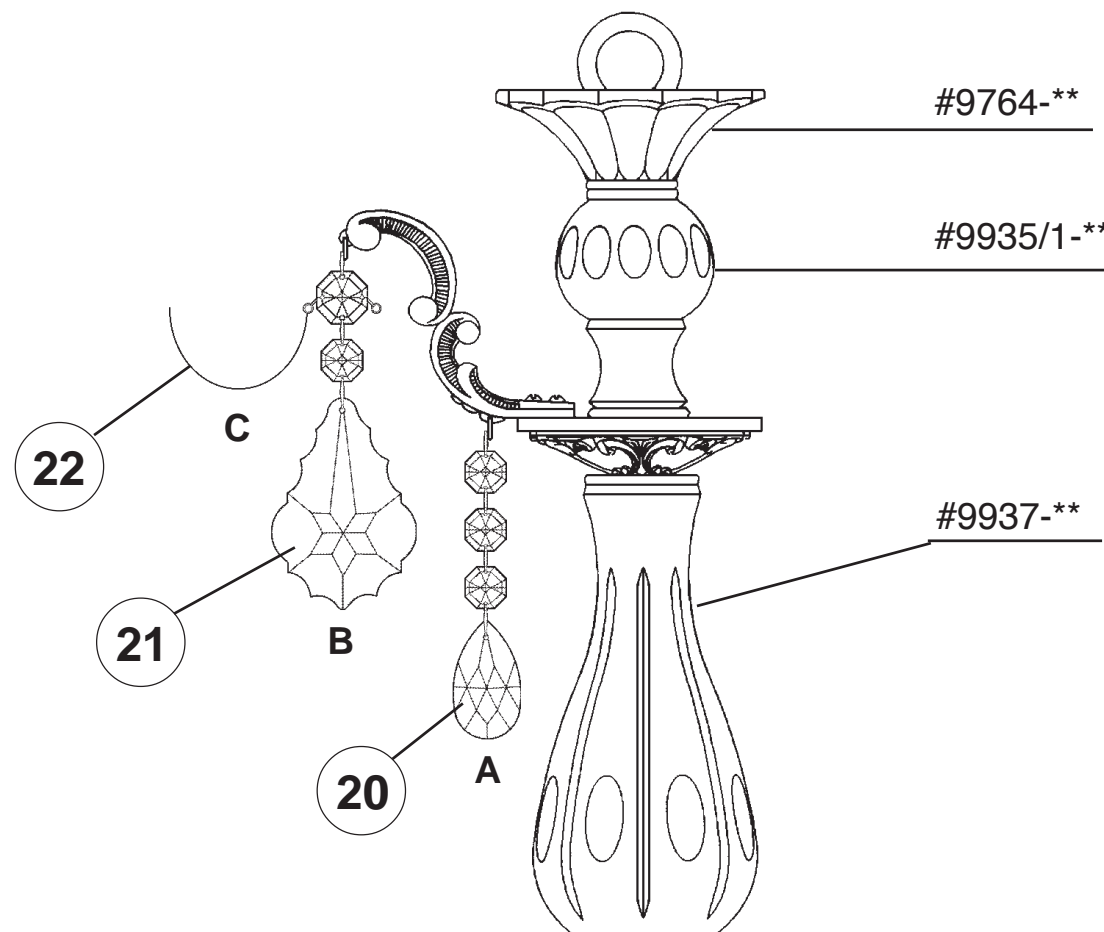
STEPS 19 - 34



19

You will need 10 - B10
25 Watts Recommended
60 Watts Max

Install bulbs and be
sure to test fixture
BEFORE trimming.



Tighten With
Tool Provided.

ALTERNATE
"G" & "H"

N10299**-**

