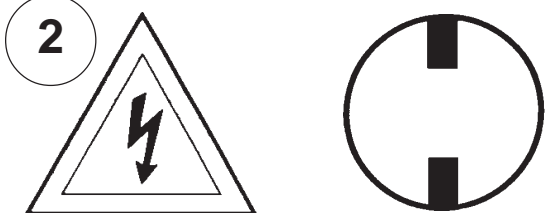


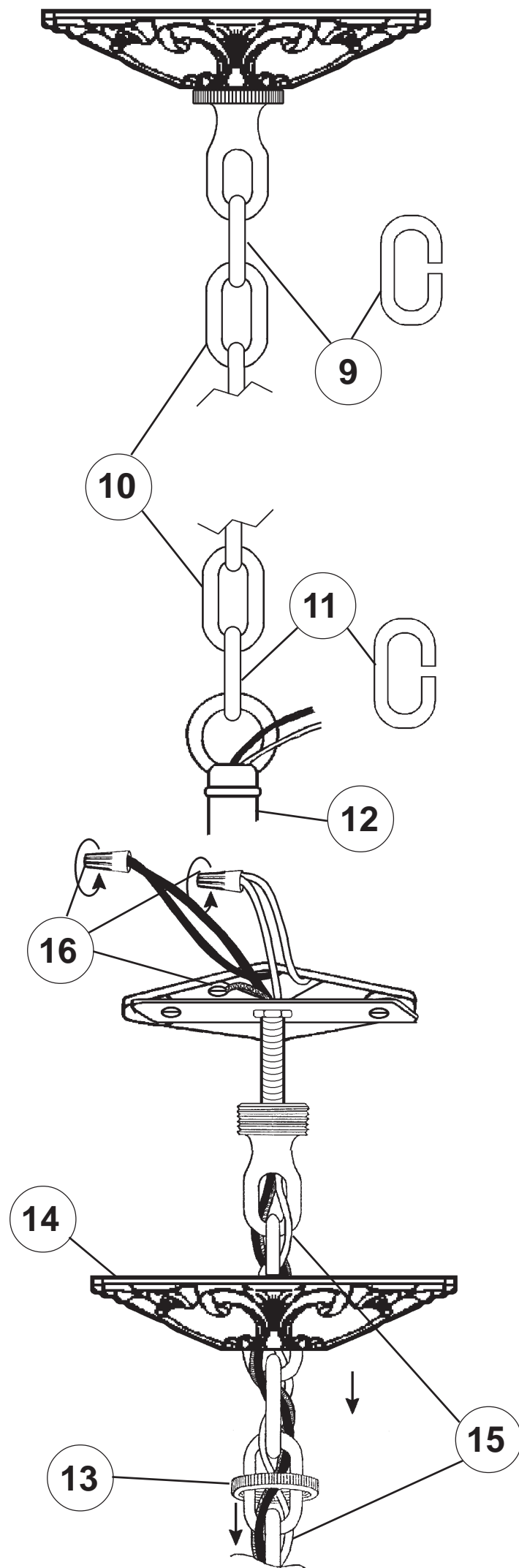
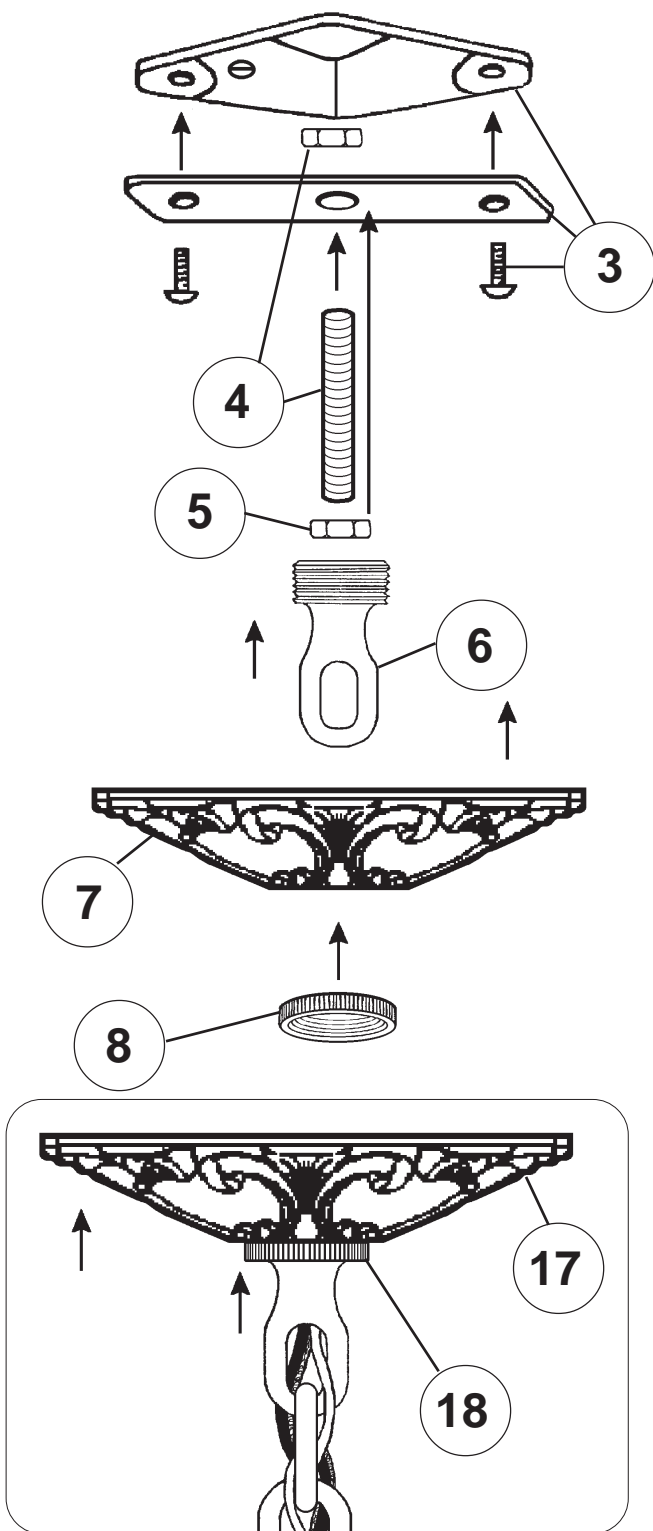
Instructions for electrician
STEPS 2 - 18

WARNING:

2 

Electrical Danger Turn Power Off

All electrical components must be installed by a licensed electrician in accordance with the National Electric Code and the appropriate local electrical codes.



CHANDELIER 5005- _____ TRIM DIAGRAM

(Finish Option) (Trim Option)



5 Lights
Diameter: 17"
Body Length: 24"
Hanging Weight: 15 lbs.

THIS DESIGN IS THE PROPRIETARY TRADE DRESS/TRADEMARK OF SCHONBEK WORLDWIDE LIGHTING INC.

SCHONBEK®

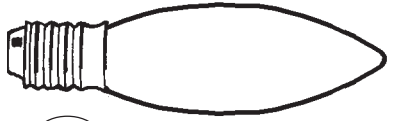
See diagram on back page
Follow steps in exact order
Save this trim diagram for future reference

1 **IMPORTANT**
Person who opens carton should record the following information for future service.

CODE #	_____	Four-digit number on outside of carton.
PACKER #	_____	See crystal package label.
ORDER #	_____	See crystal package label.

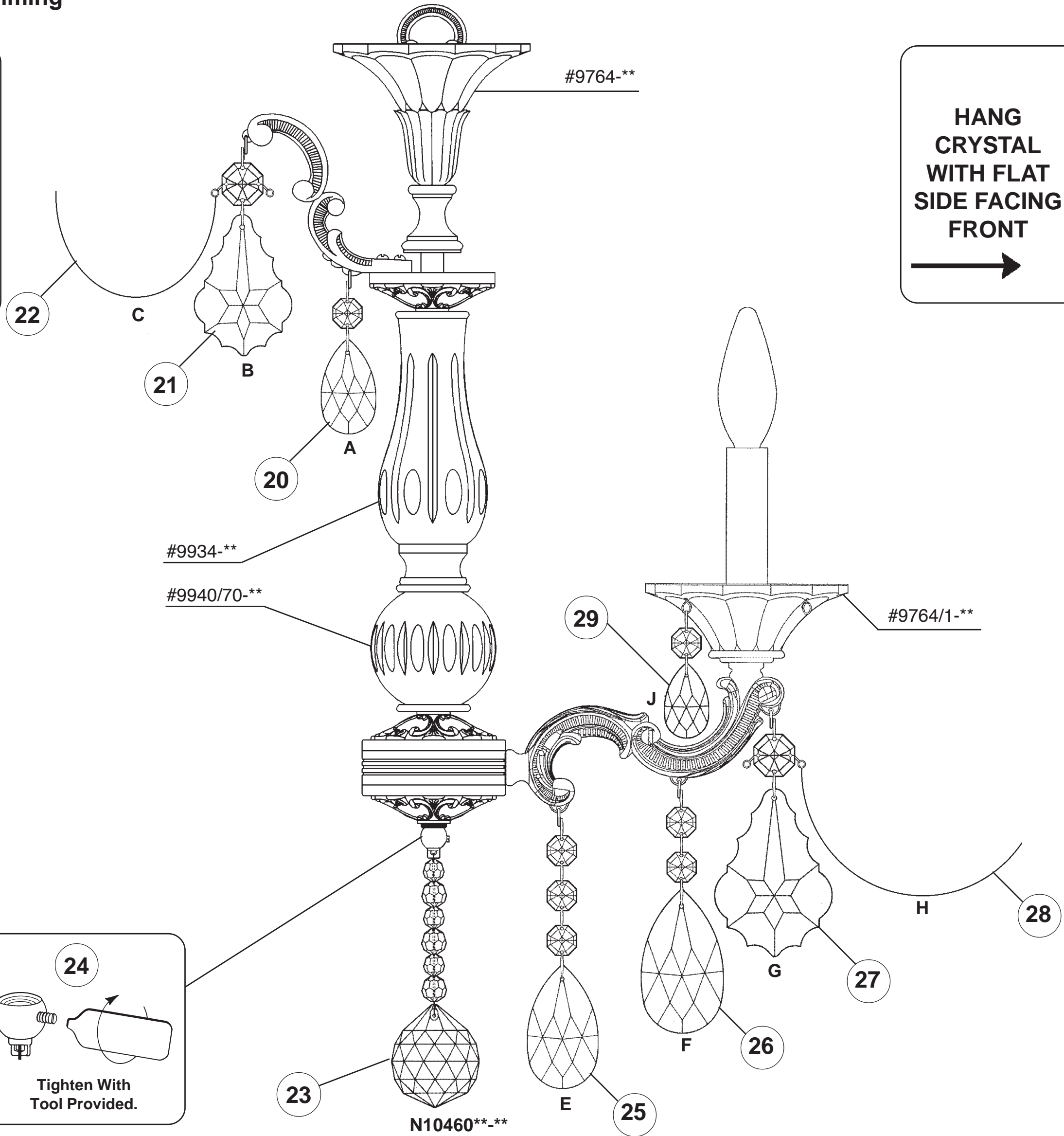
Instructions for crystal trimming
STEPS 19 - 29

19



You will need 5 - B10
 25 Watts Recommended
 60 Watts Max

Install bulbs and be
 sure to test fixture
BEFORE trimming.



**HANG
 CRYSTAL
 WITH FLAT
 SIDE FACING
 FRONT**

