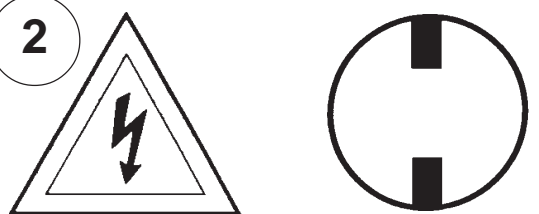


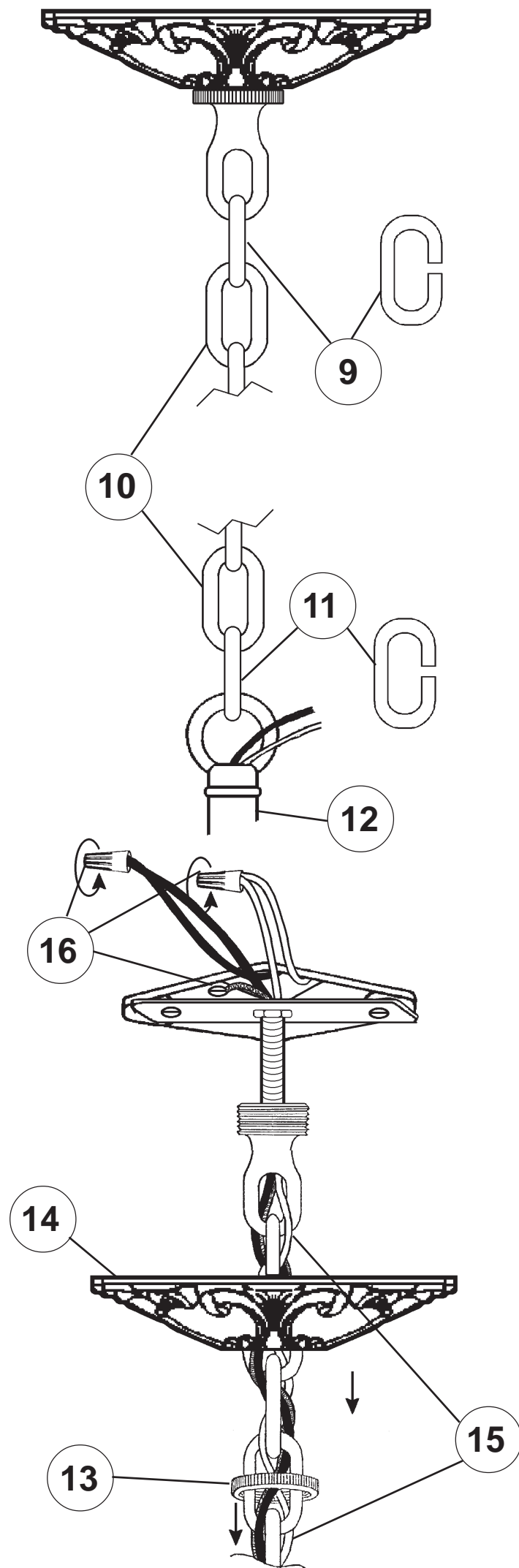
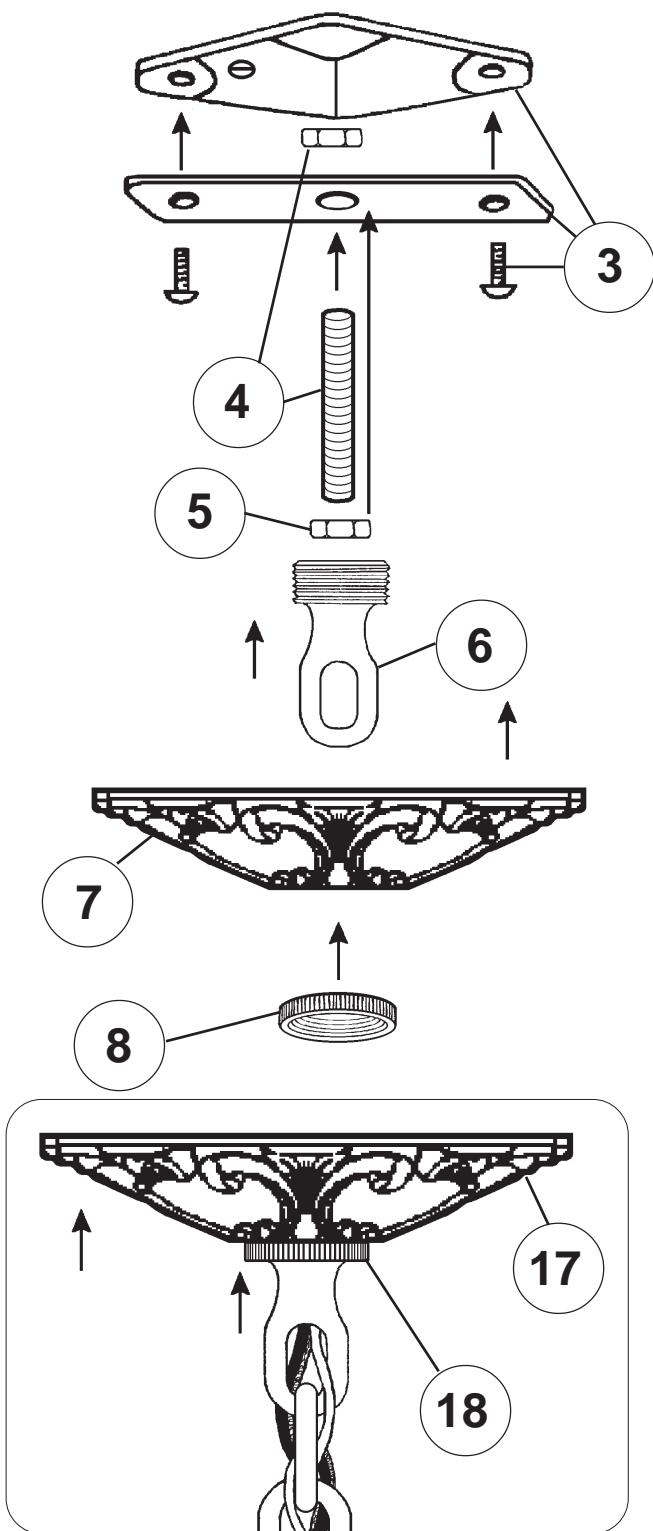
Instructions for electrician
STEPS 2 - 18

WARNING:

2 

Electrical Danger Turn Power Off

All electrical components must be installed by a licensed electrician in accordance with the National Electric Code and the appropriate local electrical codes.



CHANDELIER 5004- _____ TRIM DIAGRAM

(Finish Option) (Trim Option)



4 Lights
Diameter: 12-1/2"
Body Length: 14-1/2"
Hanging Weight: 5 lbs.

THIS DESIGN IS THE PROPRIETARY TRADE DRESS/TRADEMARK OF SCHONBEK WORLDWIDE LIGHTING INC.

SCHONBEK®

See diagram on back page
Follow steps in exact order
Save this trim diagram for future reference

IMPORTANT
1 Person who opens carton should record the following information for future service.
CODE # _____ Four-digit number on outside of carton.
PACKER # _____ See crystal package label.
ORDER # _____ See crystal package label.



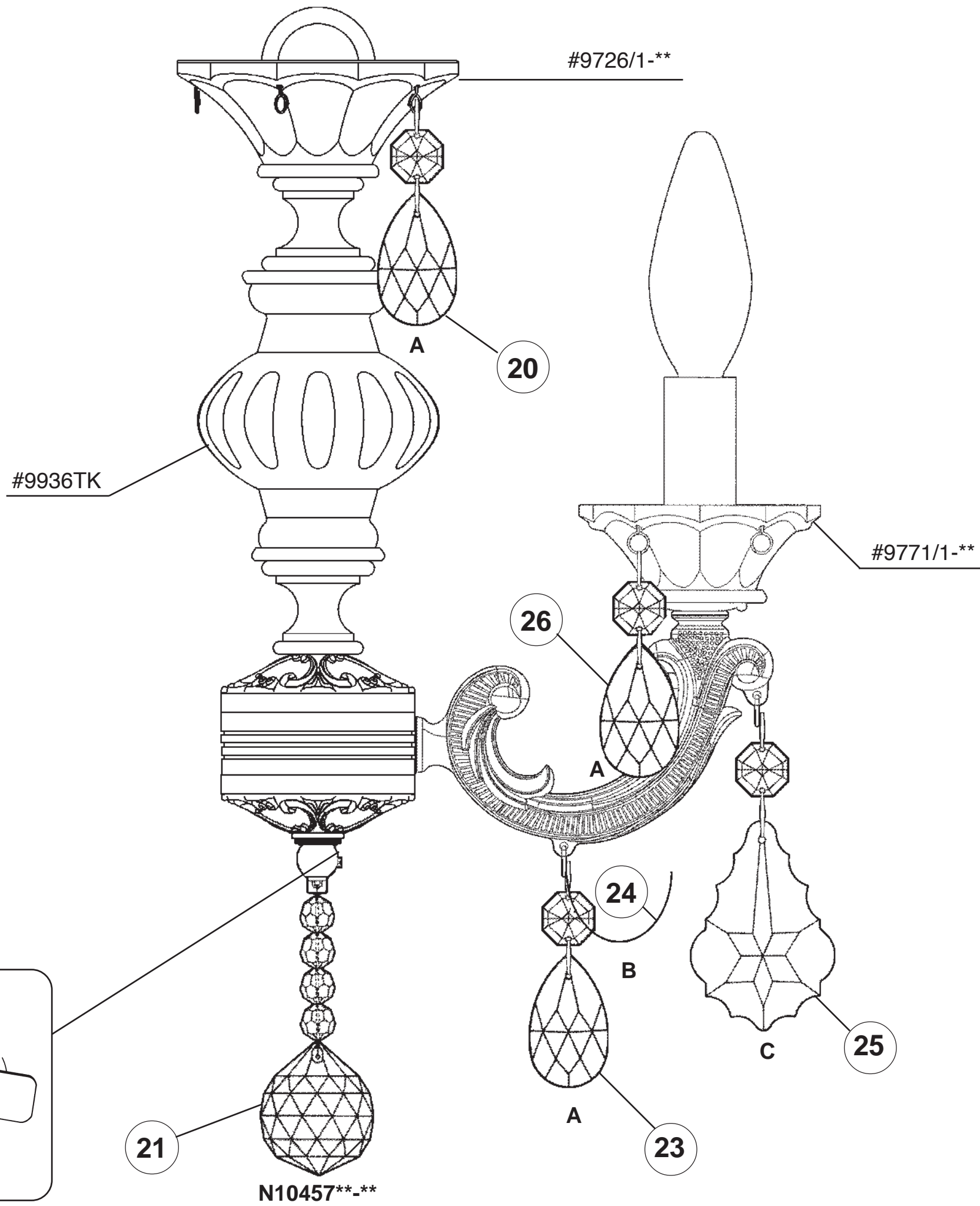
Instructions for crystal trimming
STEPS 19 - 26



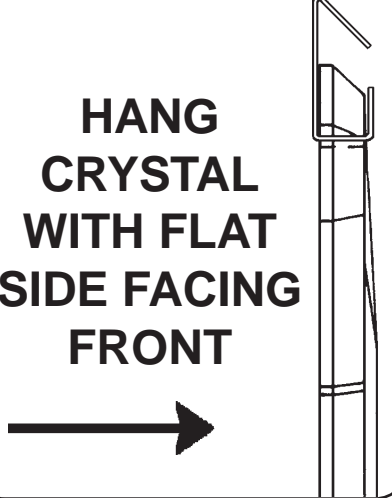
19

You will need 4 - B10
 25 Watts Recommended
 60 Watts Max

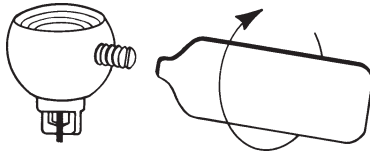
**Install bulbs and be
 sure to test fixture
 BEFORE trimming.**



**HANG
 CRYSTAL
 WITH FLAT
 SIDE FACING
 FRONT**



22



**Tighten With
 Tool Provided.**