

SCHONBEK®

CHANDELIER 3786- _____ TRIM DIAGRAM

(Finish Option) (Trim Option)



THIS DESIGN IS THE PROPRIETARY TRADE DRESS/TRADEMARK OF SCHONBEK WORLDWIDE LIGHTING INC.

6 Lights
Diameter: 21-1/2"
Body Length: 31"
Hanging Weight: 22 lbs.

SCHONBEK®

**Follow steps in exact order
Save this trim diagram for future reference**

1

IMPORTANT

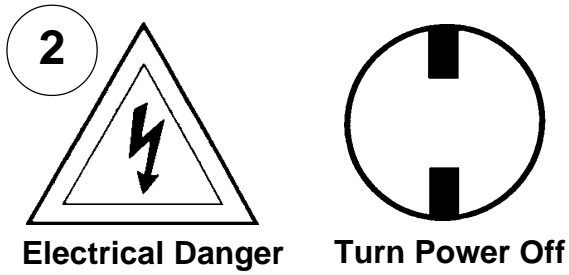
Person who opens carton should record the following information for future service.

CODE # _____ Four-digit number on outside of carton.
PACKER # _____ See crystal package label.
ORDER # _____ See crystal package label.

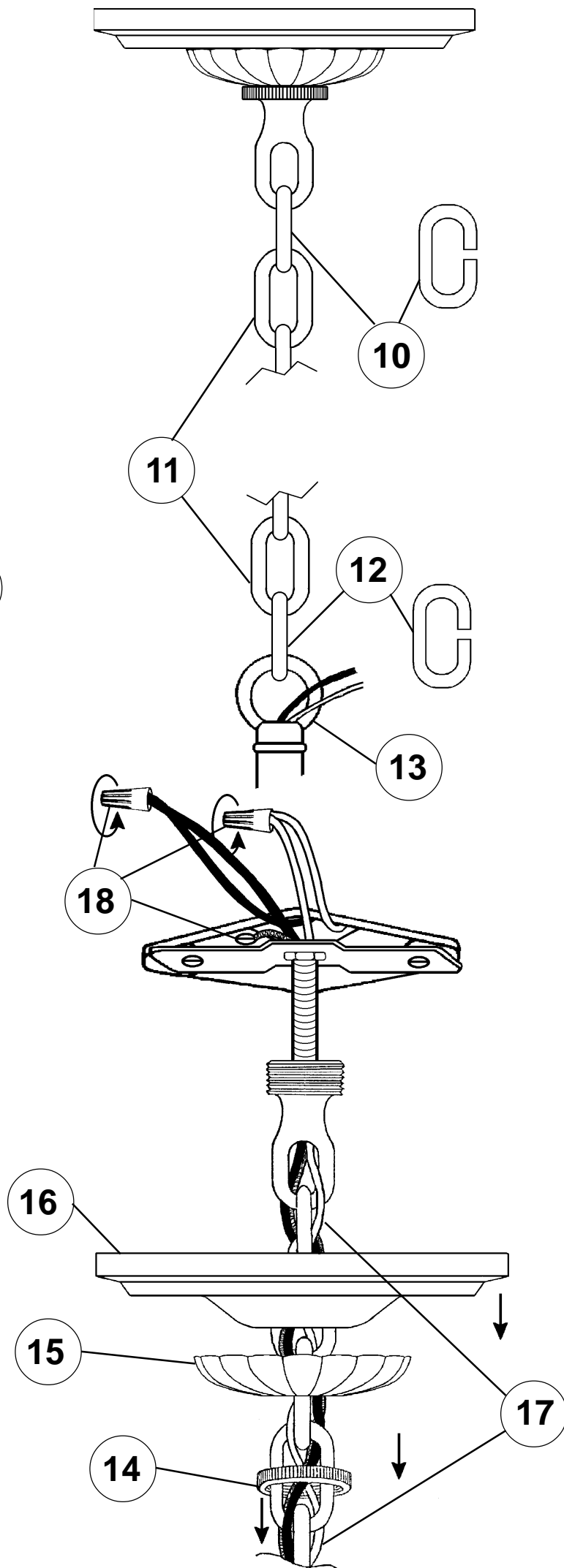
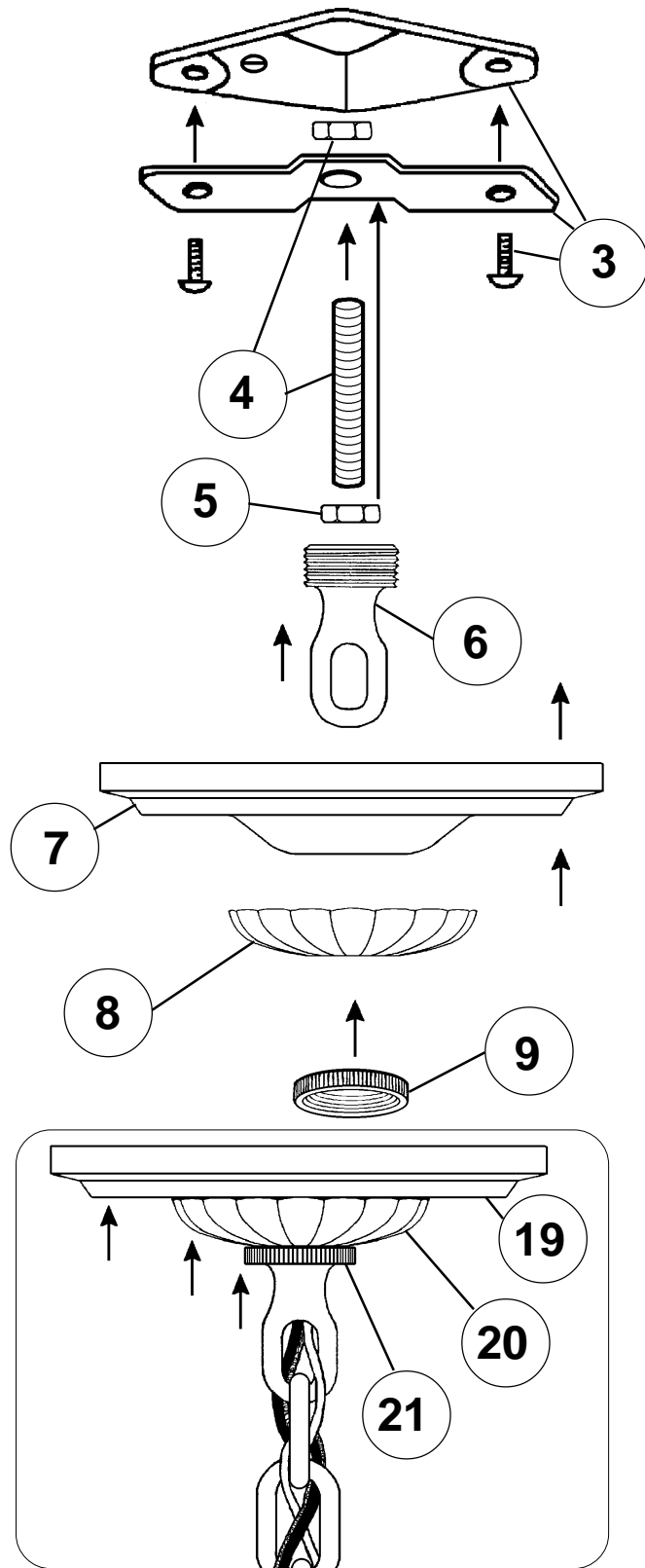
SCHONBEK IS A WORLD LEADER IN CHANDELIER DESIGN. PATENTS INCLUDE:
#D5,222,805

Instructions for electrician
STEPS 2 - 21

WARNING:



All electrical components must be installed by a licensed electrician in accordance with the National Electric Code and the appropriate local electrical codes.



MAINTENANCE:

Use a soft, lint - free cloth to clean the metal frame.

UNDER NO CIRCUMSTANCES SHOULD METAL POLISHES, CLEANERS, ABRASIVES OR AEROSOL SPRAYS BE USED.

While the latest finishing techniques have been used on the metal frame, such finish cannot be unconditionally guaranteed. The main cause of deterioration, apart from certain atmospheric conditions, is improper cleaning.

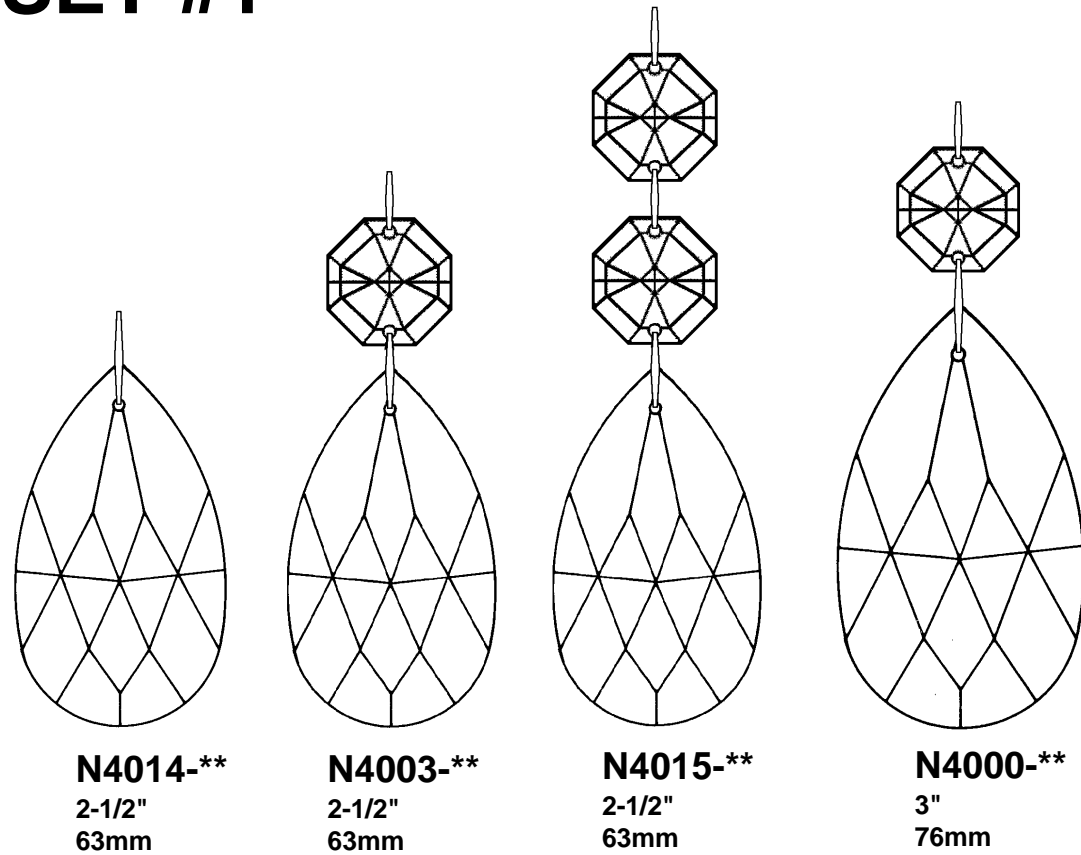
To clean the crystals, polish with a damp chamois.

You are cleaning delicate jewelry... Take the greatest care.

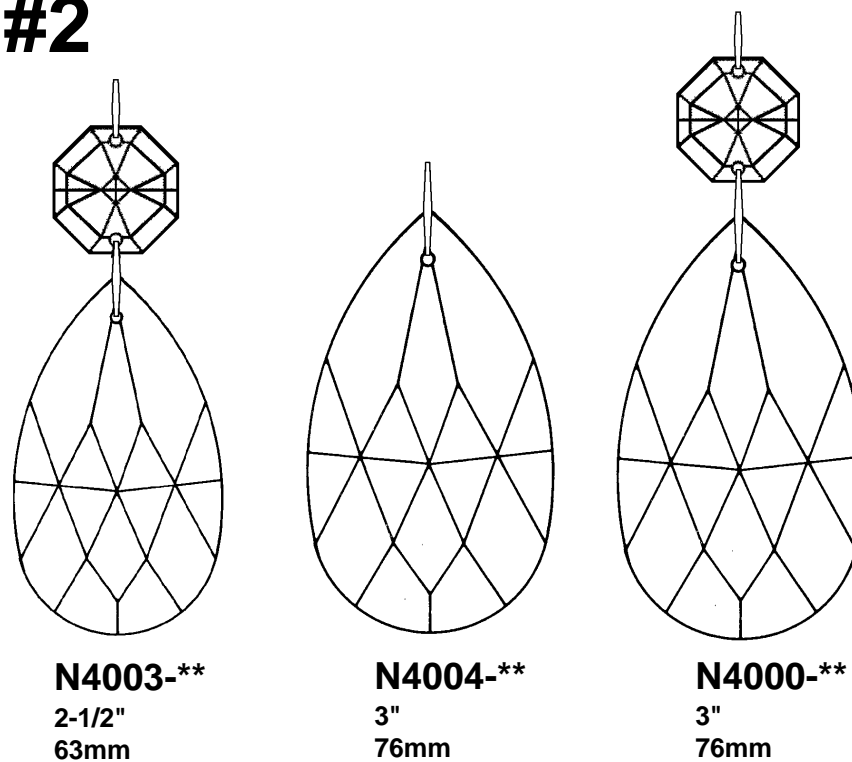
IMPORTANT:

Do not clean crystals in a dishwasher. The finish of the metal clips and hangers will be ruined and the crystals may be damaged.

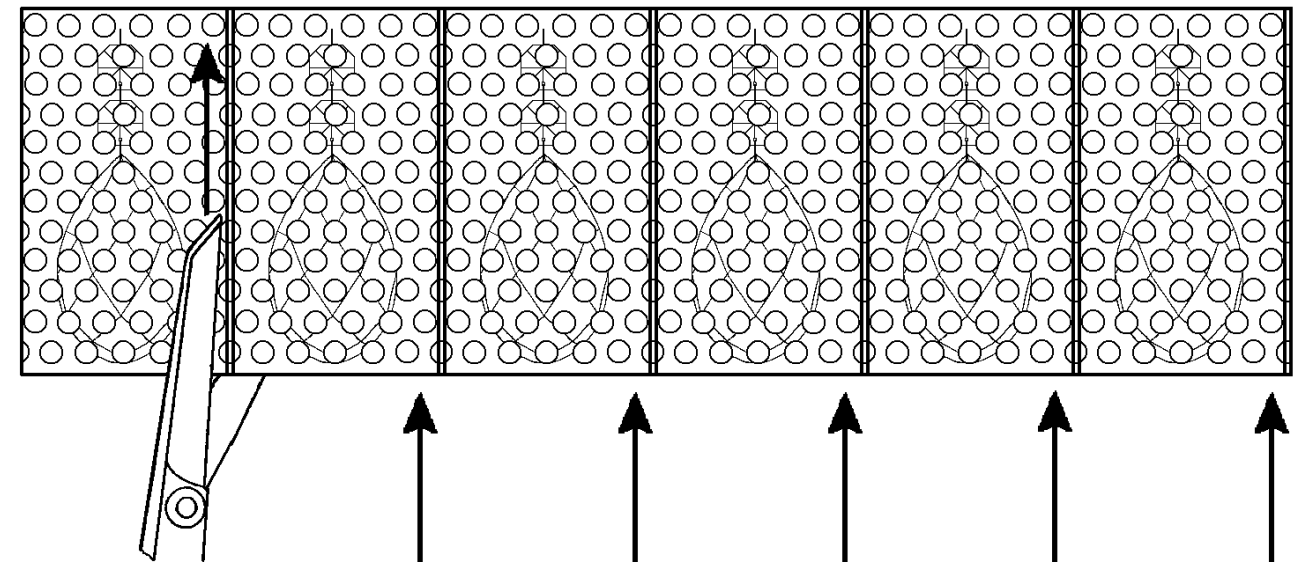
SET #1



SET #2




For easy removal of crystal from bubble pack, please cut along pouches on the inside of the seam. Gently remove crystal from the side of the pouch.



NOTE: Work on one crystal set at a time. Follow the black line from top to bottom according to the numbered steps on the trim diagram.

Instructions for crystal trimming
STEPS 22 - 34

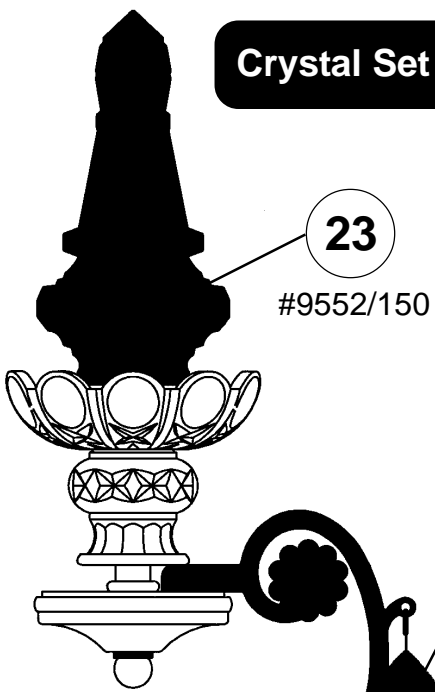
FIXTURE INCLUDES:
Hanger Hardware
Trim
Frame
DOES NOT INCLUDE:
C10 - Light Bulbs



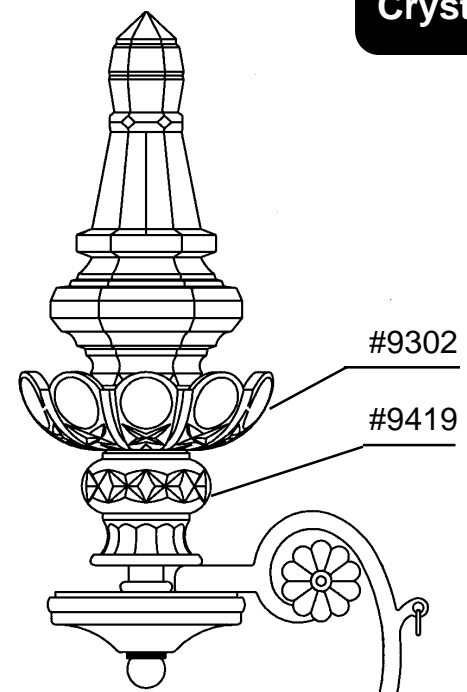
22
You will need 6 - C10
25 Watts Recommended
60 Watts Max

Crystal Set #2 in Black

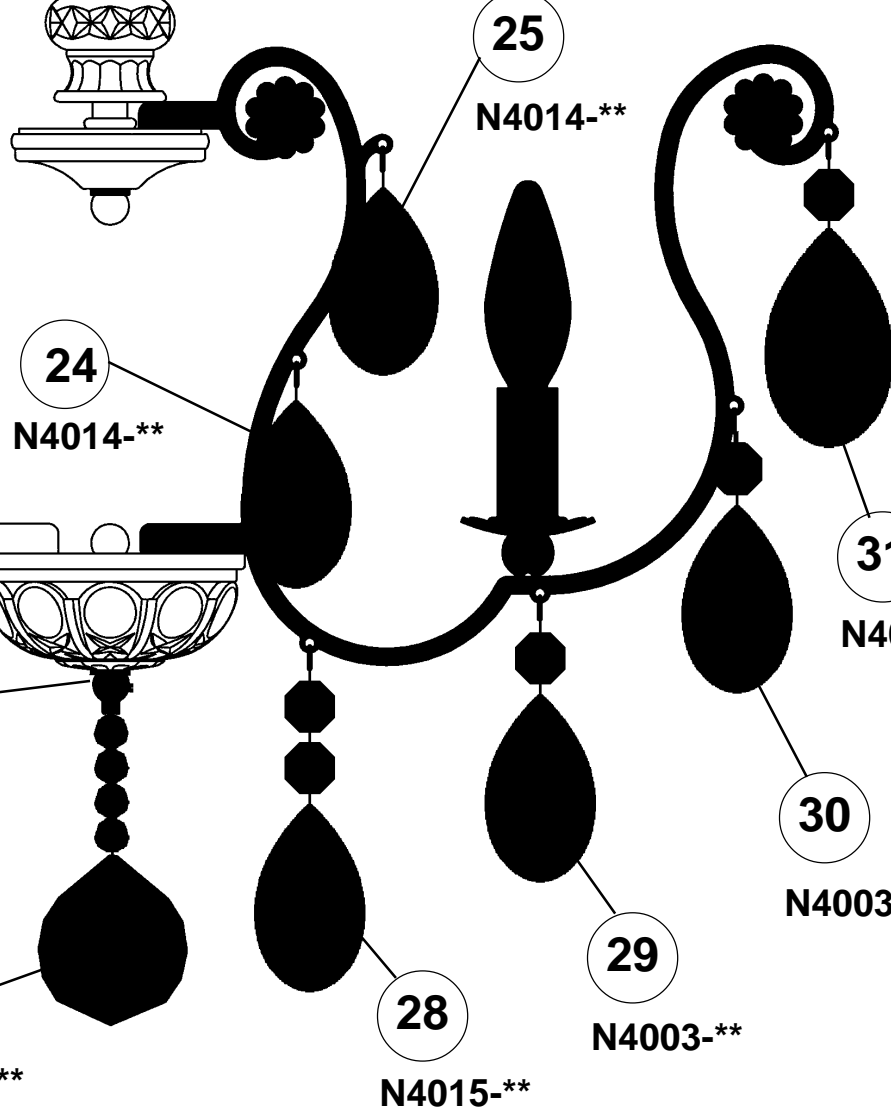
Crystal Set #1 in Black



23
#9552/150



#9302
#9419



24
N4014-**

25
N4014-**

26
N11122**-**

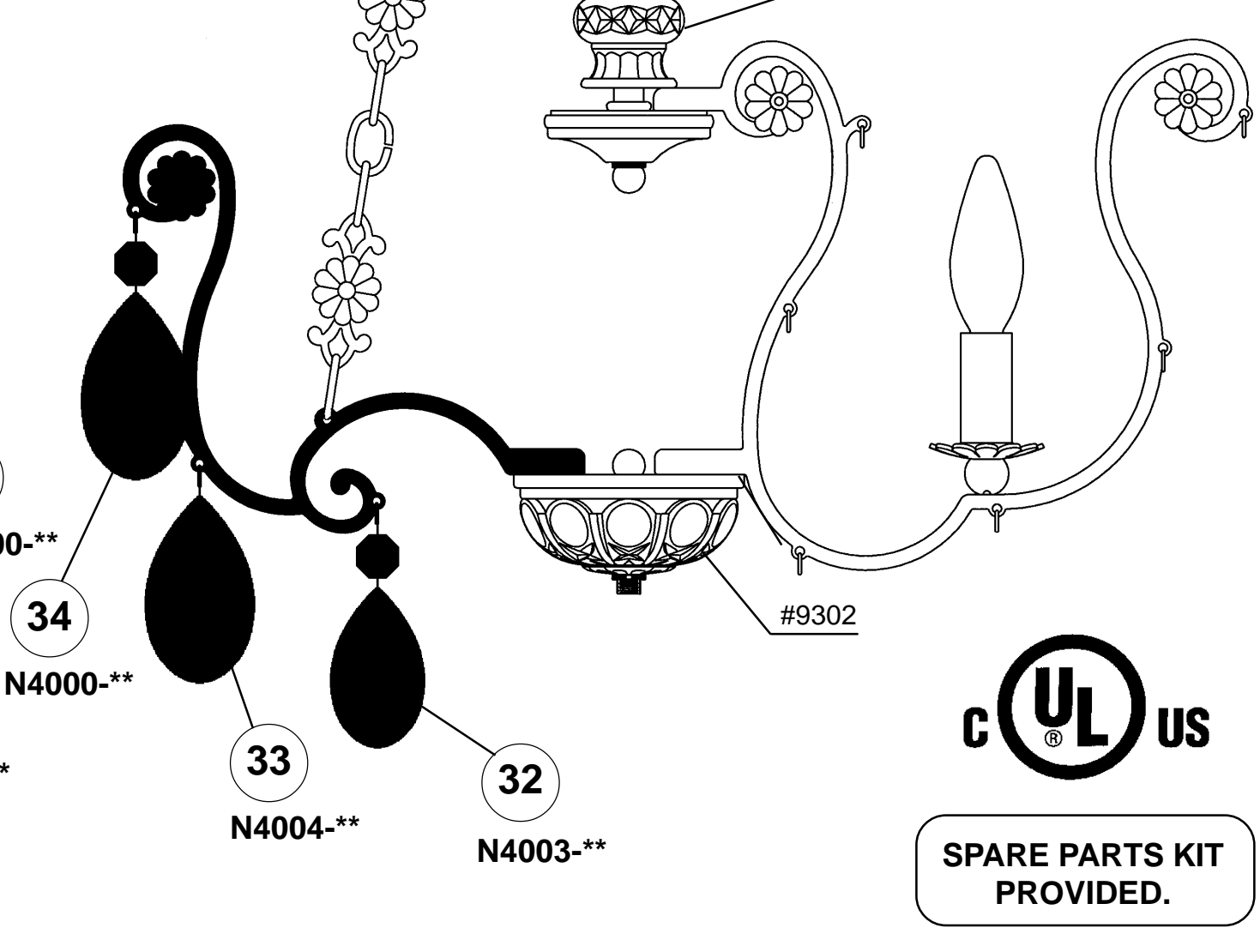
27
N4015-**

28
N4003-**

29
N4003-**

30
N4003-**

31
N4000-**

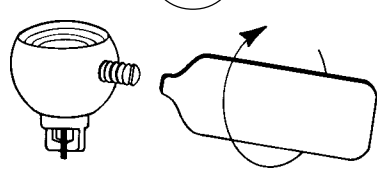


32
N4003-**


33
N4004-**

34
N4000-**

#9302



27
Tighten With
Tool Provided.



**SPARE PARTS KIT
PROVIDED.**