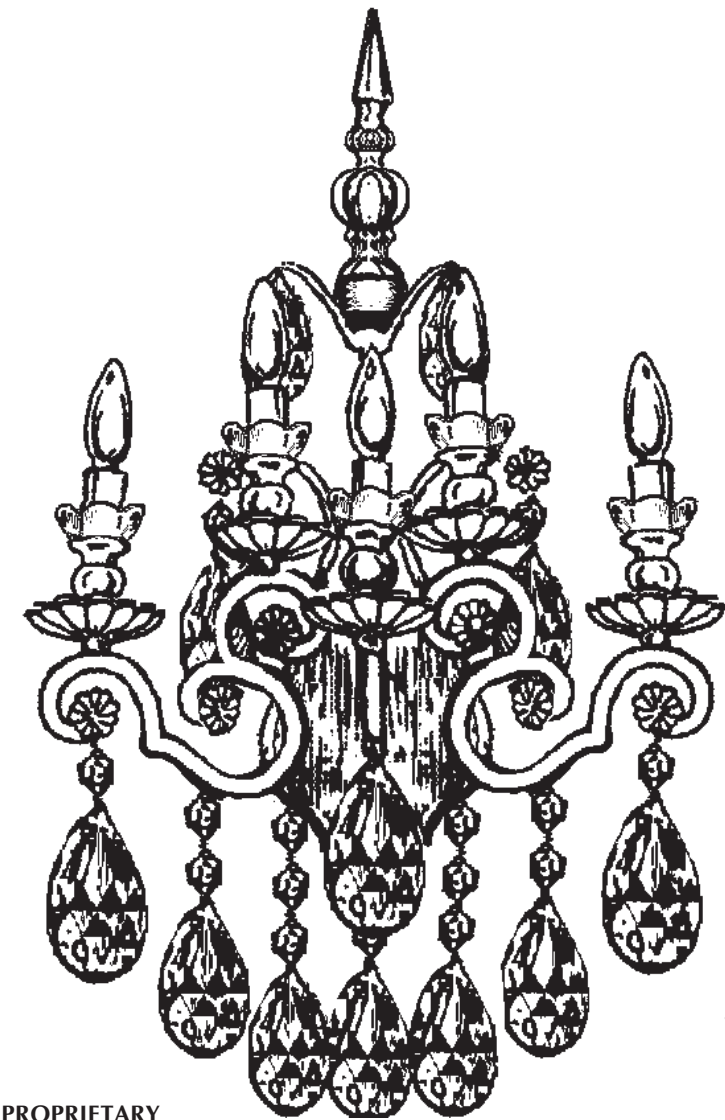




**SCHONBEK®**

RENAISSANCE 3763- \_\_\_\_\_



**T**HIS DESIGN IS THE PROPRIETARY TRADE DRESS/TRADemark OF SWAROVSKI LIGHTING, LTD.

5 Lights  
Diameter: 17"  
Body Length: 28"  
Extension: 10"  
Hanging Weight: 11 lbs.

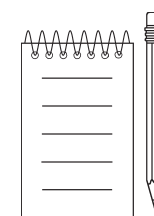
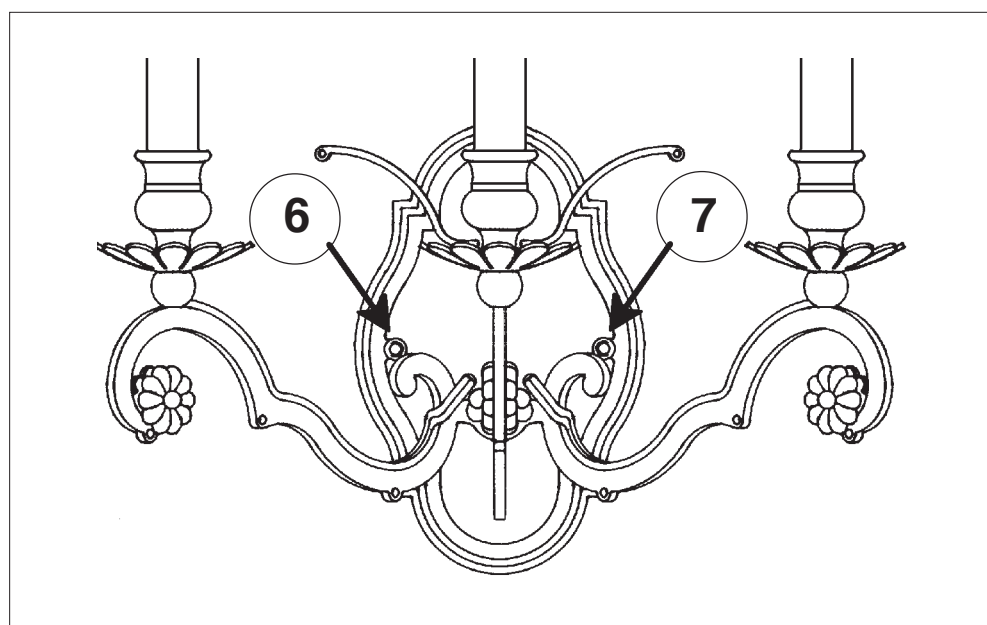
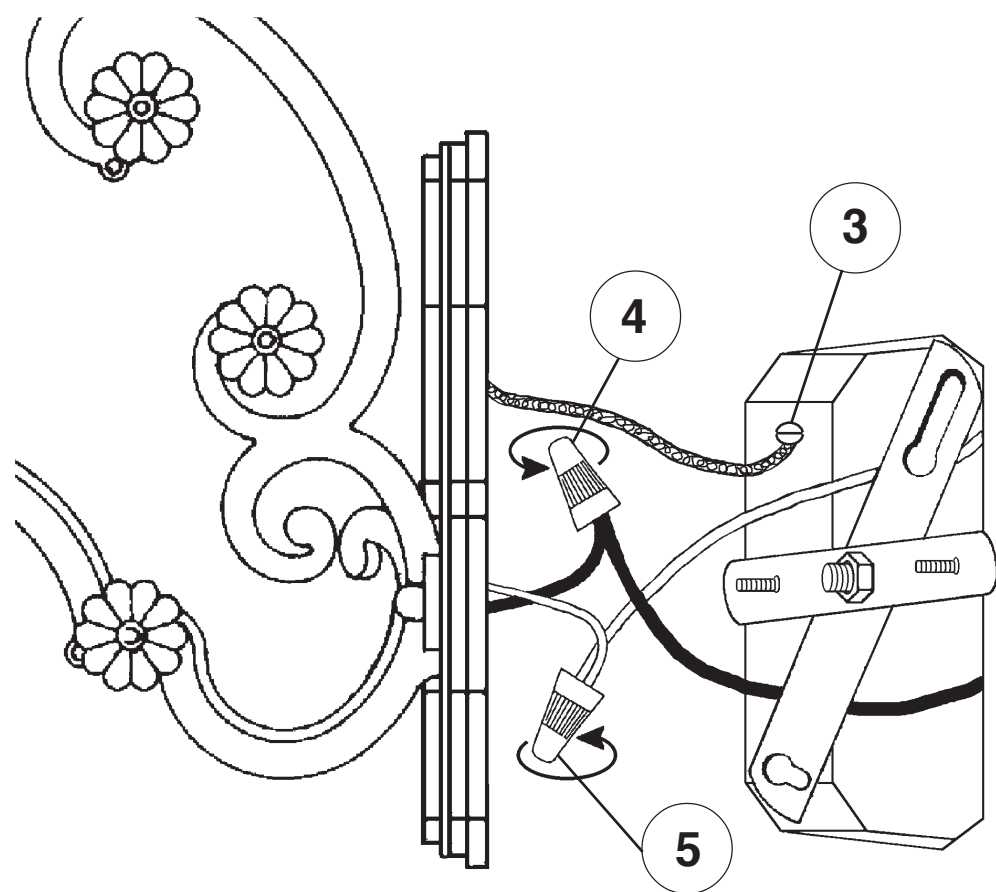
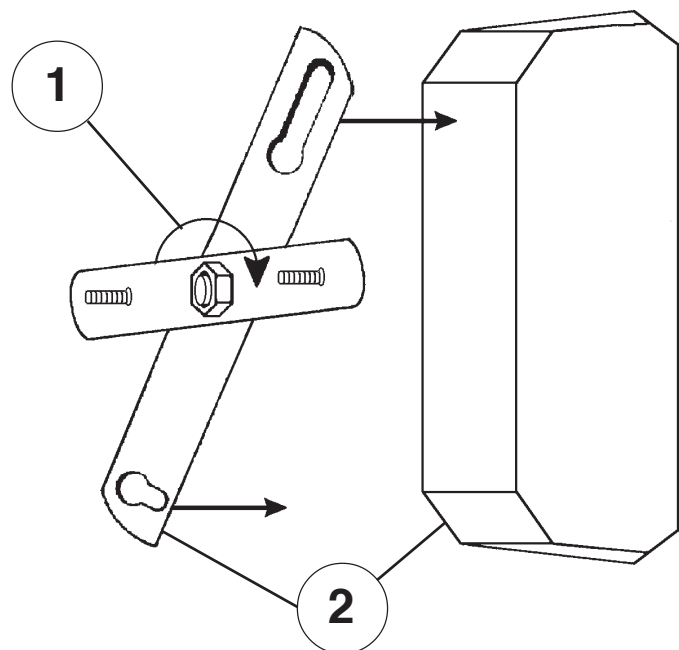


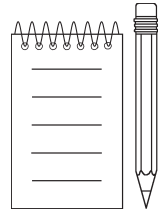
**SCHONBEK®**

MAX 60 W		110-120 V						

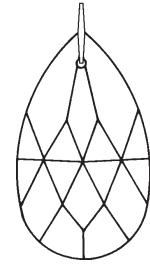
SCHONBEK® is a member of the Swarovski group.

All electrical components must be installed by a licensed electrician in accordance with the National Electric Code and the appropriate local electrical codes.

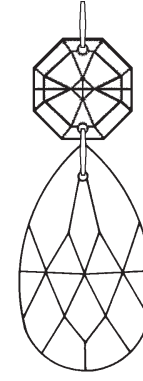




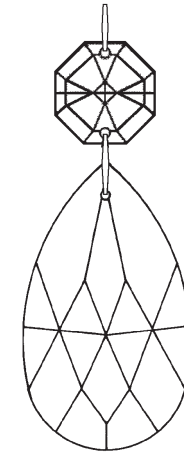
# SET #1



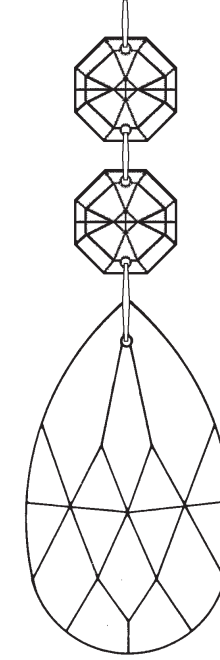
**N2793-\*\***  
2"  
50mm



**N4044-\*\***  
2"  
50mm

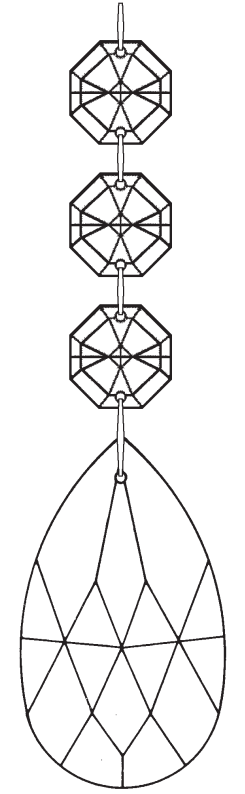


**N4003-\*\***  
2-1/2"  
63mm



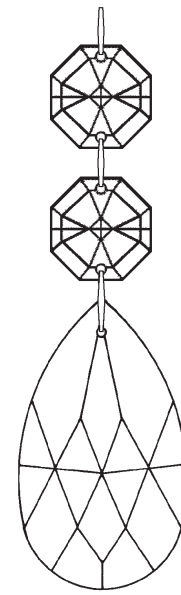
**N4004-\*\***  
3"  
76mm

**N4010-\*\***  
3"  
76mm

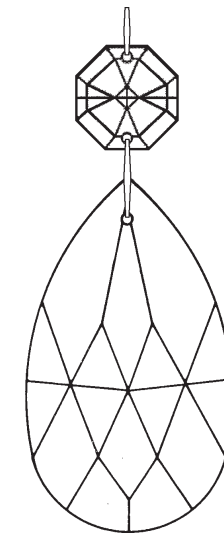


**N4020-\*\***  
3"  
76mm

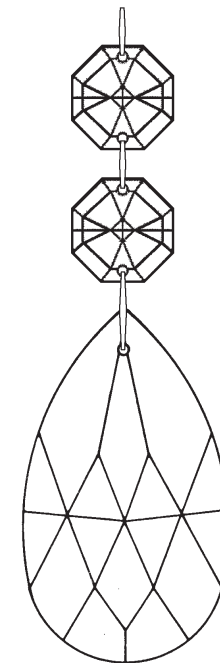
# SET #2



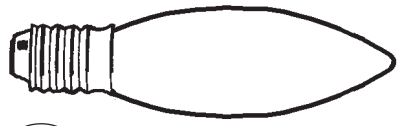
**N4015-\*\***  
2-1/2"  
63mm



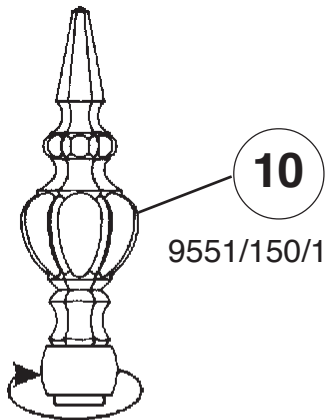
**N4000-\*\***  
3"  
76mm



**N4010-\*\***  
3"  
76mm



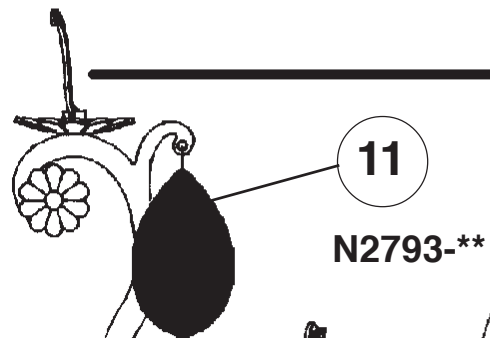
9 5 - B10  
60 Watts Max  
25 Watts Recommend



10

9551/150/1

Crystal Set #1 in Black



11

N2793-\*\*

13  
N2793-\*\*

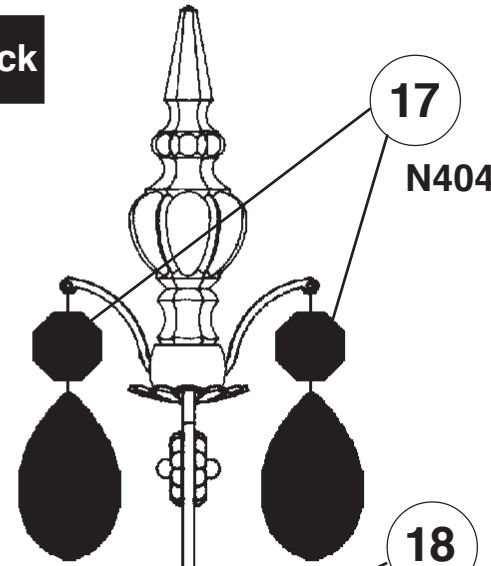
12  
N2793-\*\*

14  
N4010-\*\*

15  
N4020-\*\*

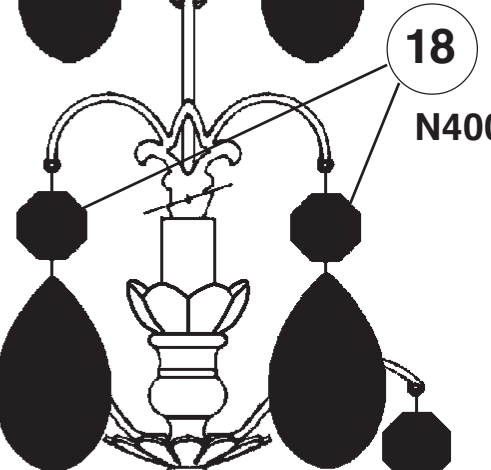
16  
N4004-\*\*

19  
N4020-\*\*



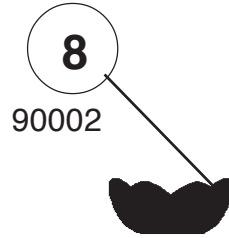
17

N4044-\*\*



18

N4003-\*\*



8

90002

Crystal Set #2 in Black

22  
N4000-\*\*

22  
N4000-\*\*

21  
N4010-\*\*

20  
N4015-\*\*

20  
N4015-\*\*

21  
N4010-\*\*

