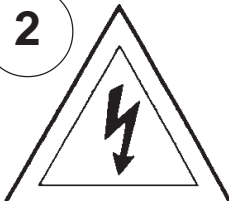
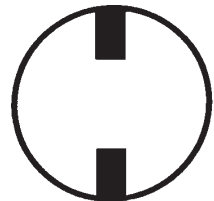


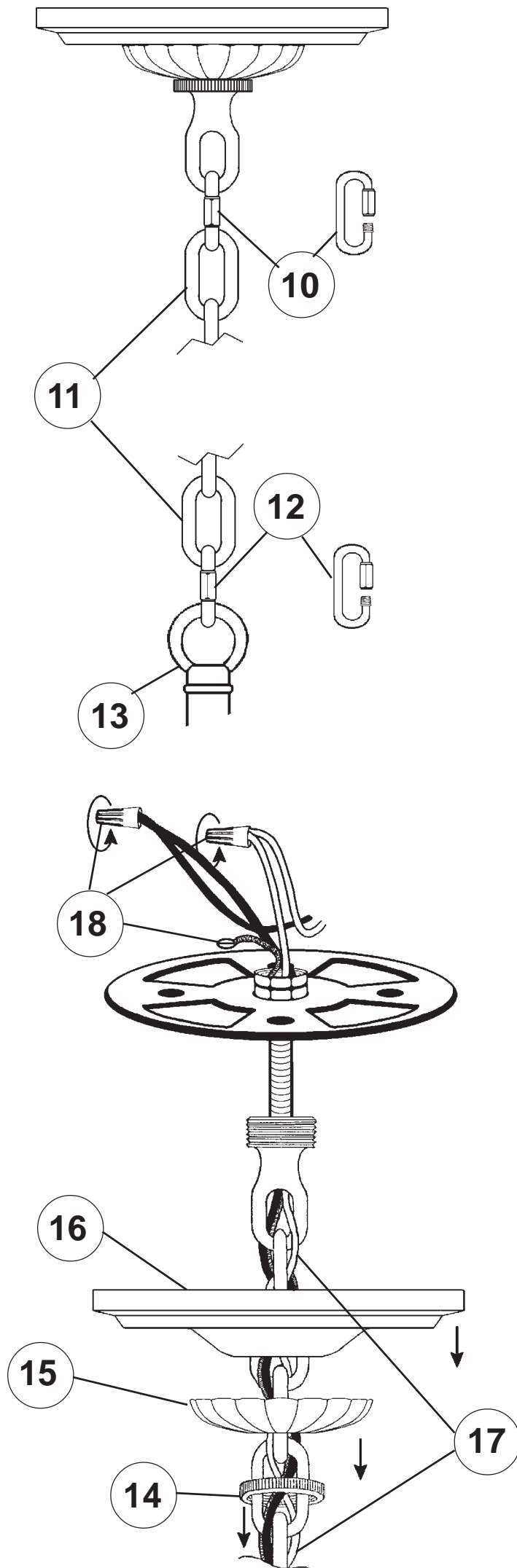
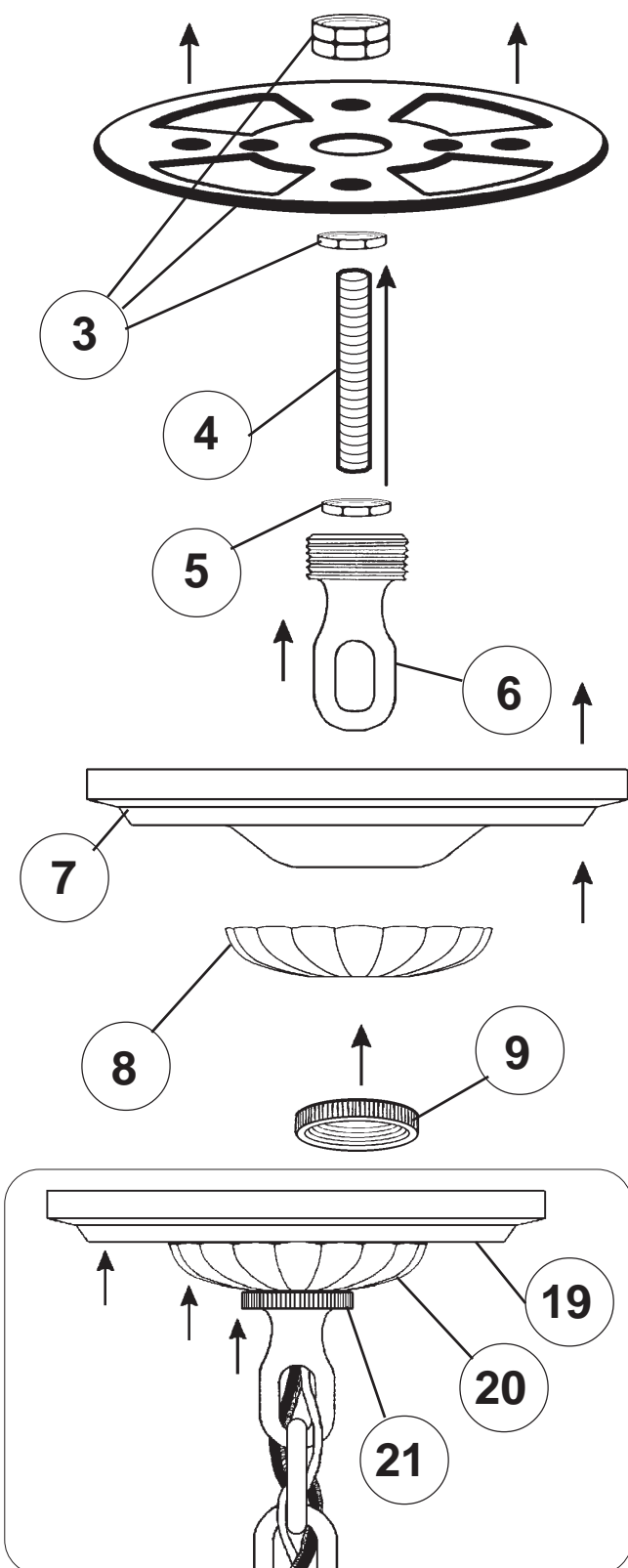
Instructions for electrician
STEPS 2 - 21

WARNING:

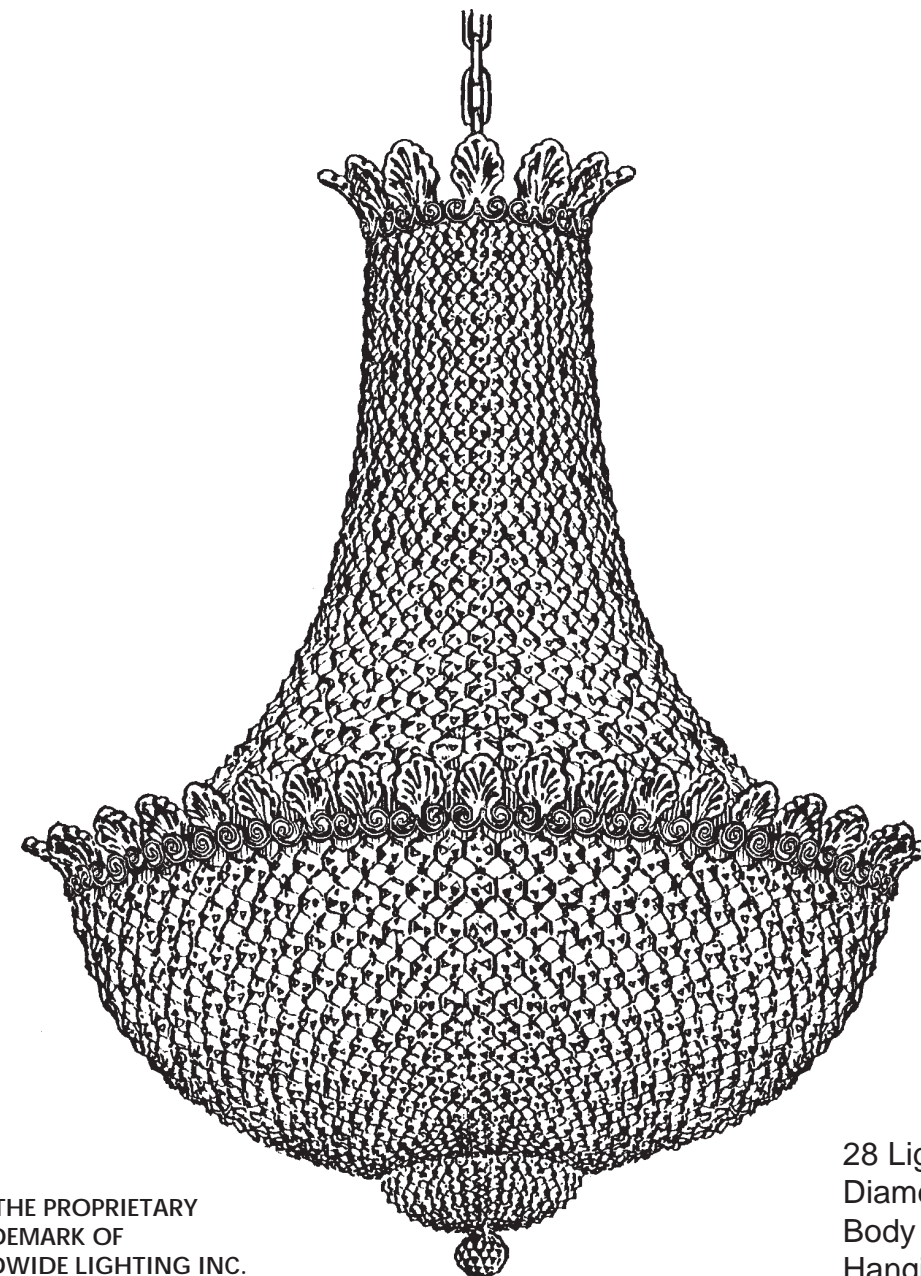
2  

Electrical Danger Turn Power Off

All electrical components must be installed by a licensed electrician in accordance with the National Electric Code and the appropriate local electrical codes.



CHANDELIER 3720-_____A TRIM DIAGRAM
(Finish Option)



28 Lights
Diameter: 32"
Body Length: 38"
Hanging Weight: 46 lbs.

T HIS DESIGN IS THE PROPRIETARY TRADE DRESS/TRADemark OF SCHONBEK WORLDWIDE LIGHTING INC.

SCHONBEK®

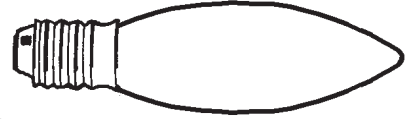
See diagram on back page
Follow steps in exact order
Save this trim diagram for future reference

1 **IMPORTANT**
Person who opens carton should record the following information for future service.

CODE # _____ Four-digit number on outside of carton.
PACKER # _____ See crystal package label.
ORDER # _____ See crystal package label.

SCHONBEK IS A WORLD LEADER IN CHANDELIER DESIGN. PATENTS INCLUDE:
#D5,222,805, #D5,588,744 & #D373,441

Instructions for crystal trimming
STEPS 22 - 27



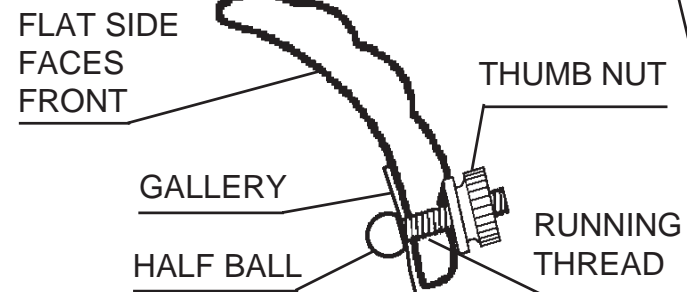
22 You will need 28 - C10
 25 Watts Recommended
 60 Watts Max

Install bulb and be sure to test
 fixture **BEFORE** trimming.

Install leaves with half ball.

1. Screw half ball onto running thread.
2. Slide running thread thru gallery and leaf.
3. Adjust leaf to sit up and down (make sure leaf doesn't lean right or left).
4. Tighten leaf to gallery using thumb nut onto running thread.

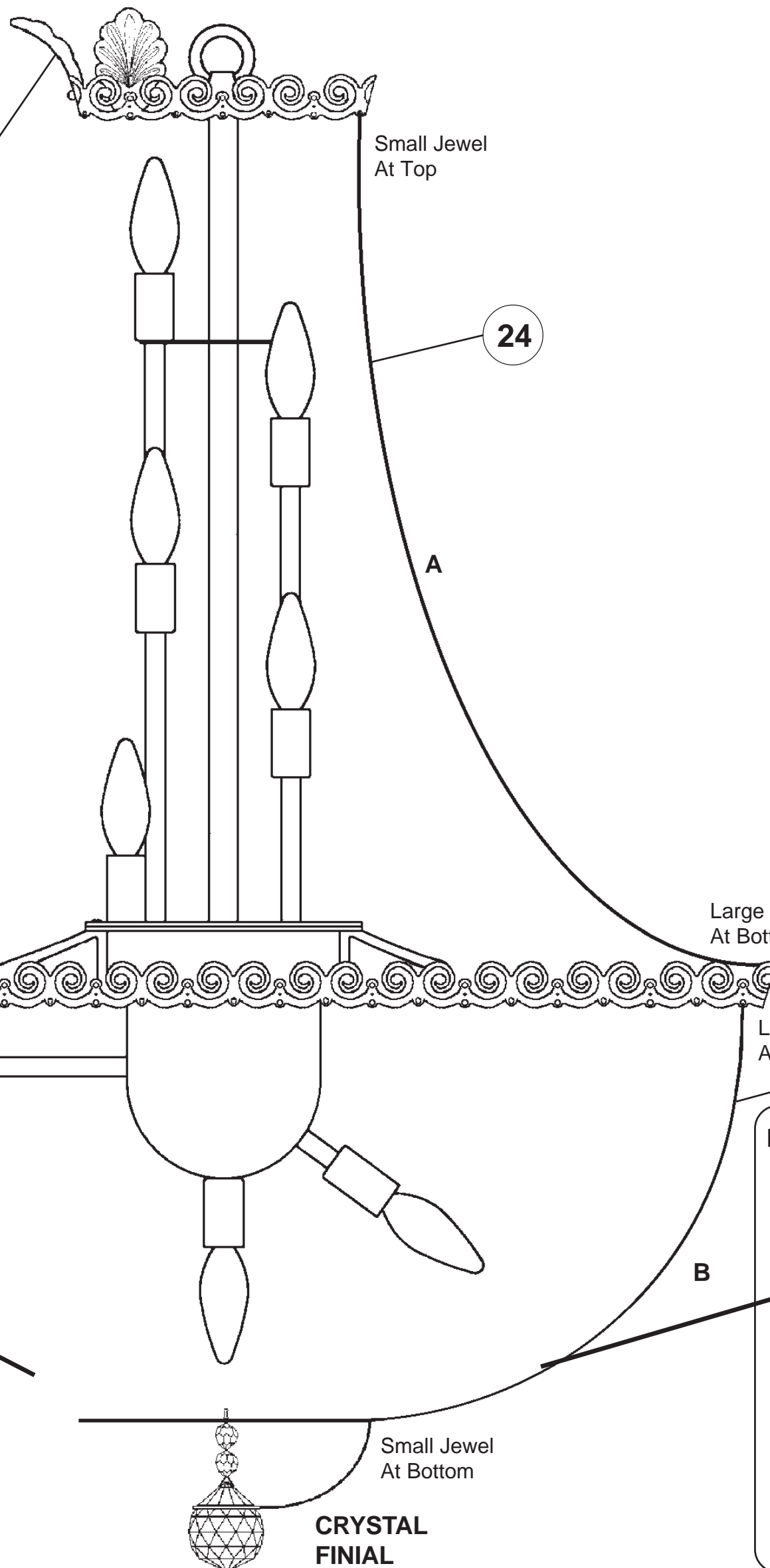
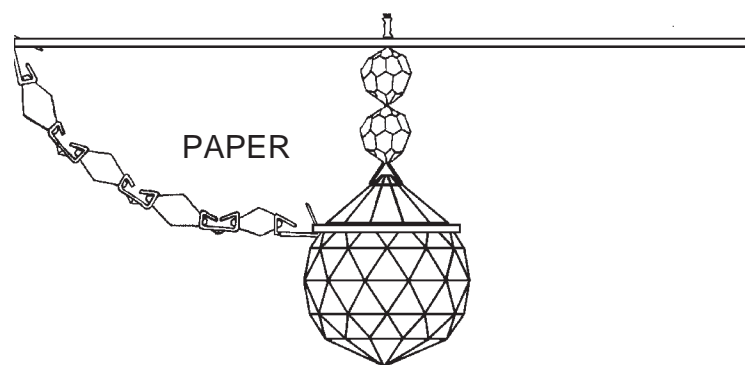
23



#9580/75

**Gently remove tissue
 paper from the inside of
 the Crystal Finial.**

26



**Hook the bottom of Chain
 "B" into the gallery of the
 Crystal Finial as
 indicated**

27

