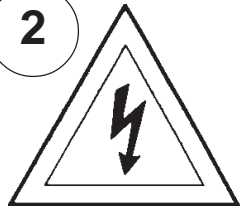


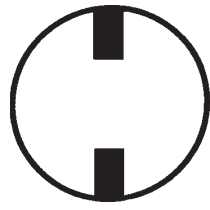
Instructions for electrician
STEPS 2 - 21

WARNING:

2

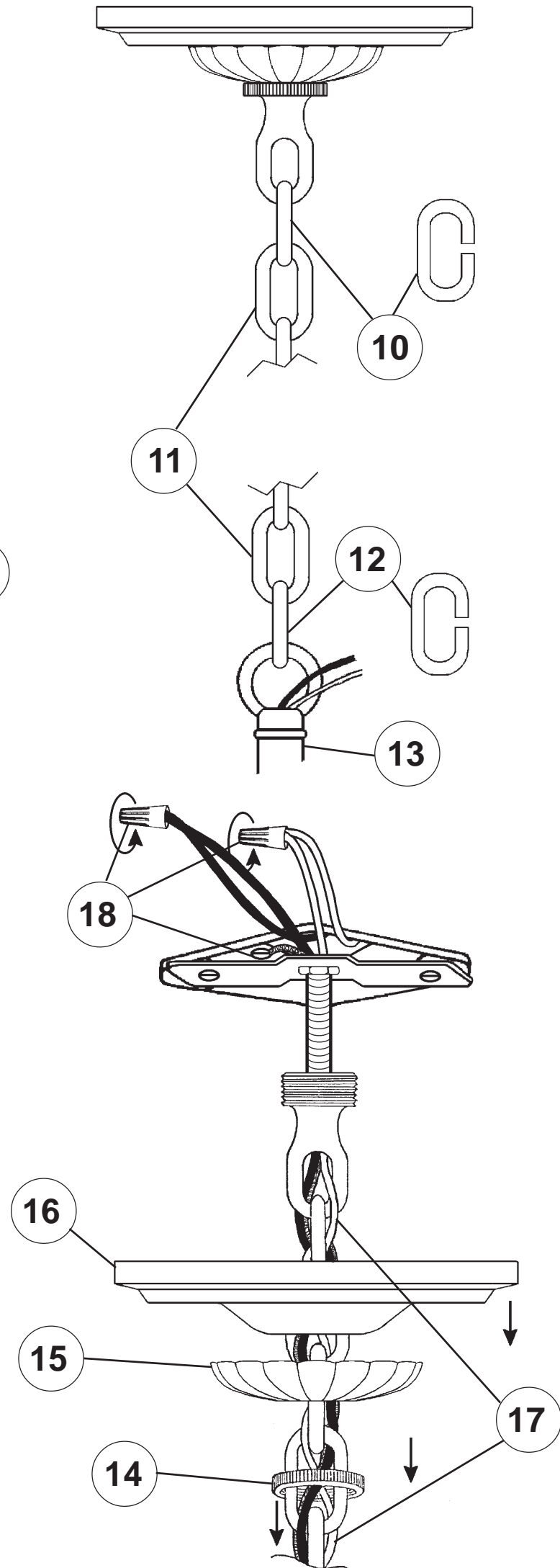
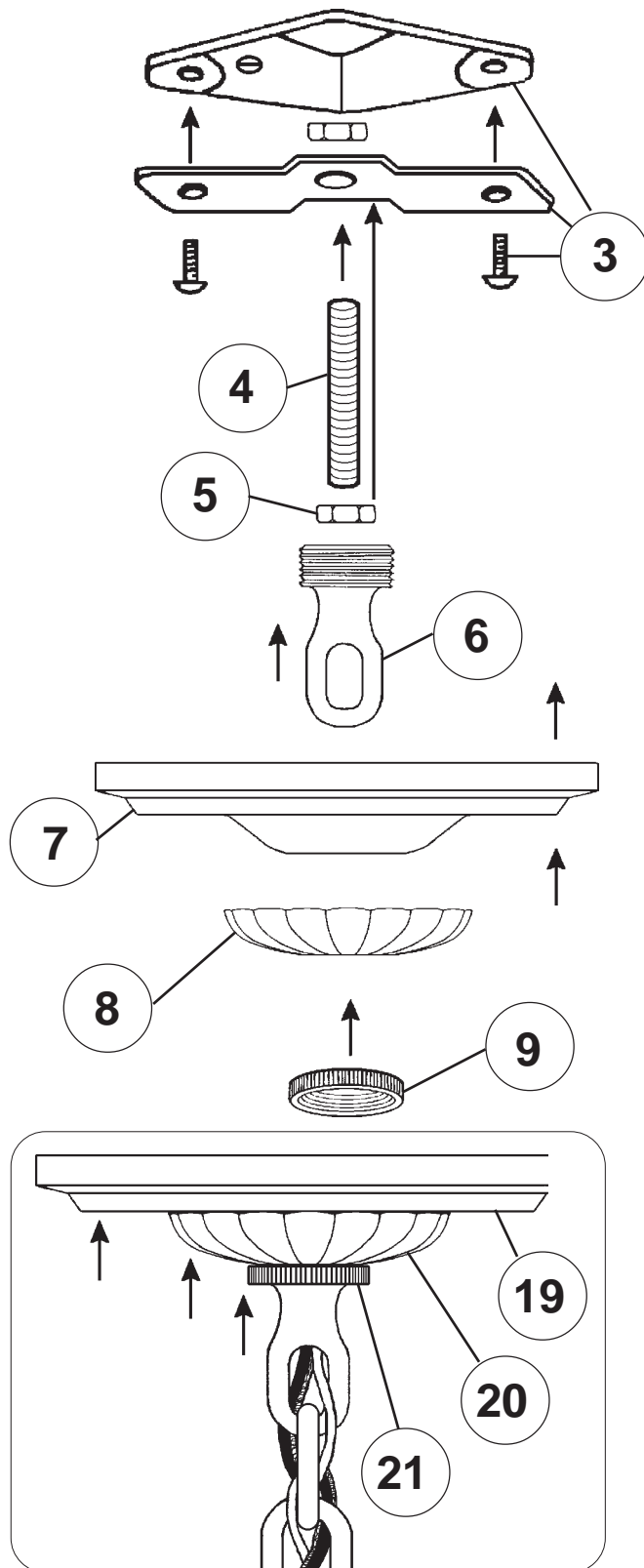


Electrical Danger



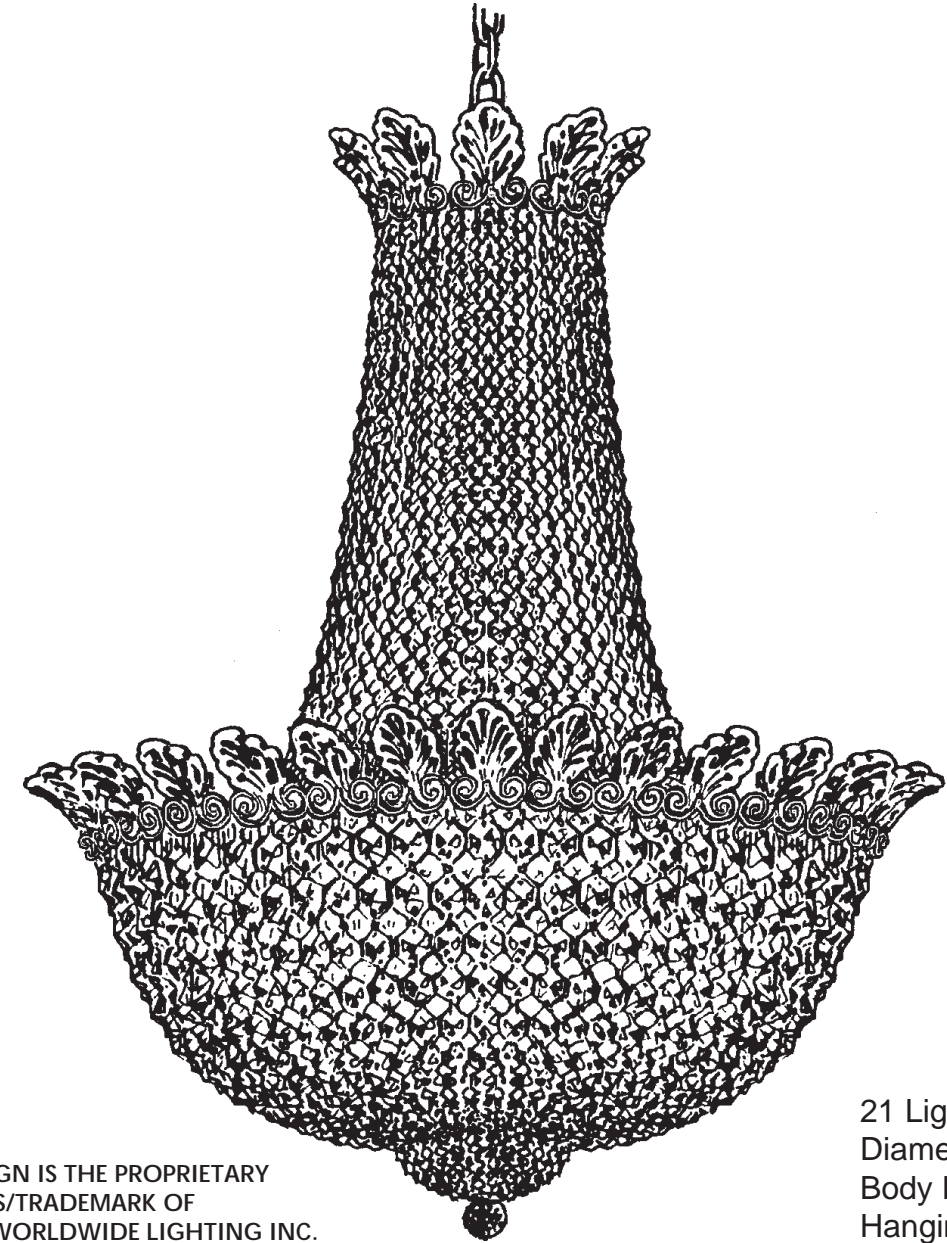
Turn Power Off

All electrical components must be installed by a licensed electrician in accordance with the National Electric Code and the appropriate local electrical codes.



CHANDELIER 3718- _____ A TRIM DIAGRAM

(Finish Option)



21 Lights
Diameter: 26"
Body Length: 31"
Hanging Weight: 32 lbs.

THIS DESIGN IS THE PROPRIETARY TRADE DRESS/TRADEMARK OF SCHONBEK WORLDWIDE LIGHTING INC.

SCHONBEK®

See diagram on back page
Follow steps in exact order
Save this trim diagram for future reference

1

IMPORTANT

Person who opens carton should record the following information for future service.

CODE # _____ Four-digit number on outside of carton.
PACKER # _____ See crystal package label.
ORDER # _____ See crystal package label.

SCHONBEK IS A WORLD LEADER IN CHANDELIER DESIGN. PATENTS INCLUDE:
#D5,222,805, #D5,588,744 & #D373,441

Instructions for crystal trimming

STEPS 22 - 27

22 You will need 20 - C10
25 Watts Recommended
60 Watts Max

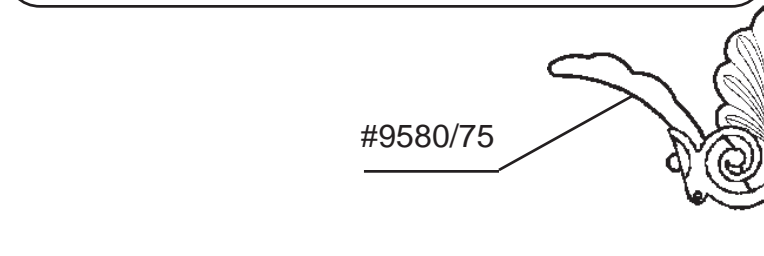
You will need 1 - G16-1-2
25 Watts Recommended
60 Watts Max

Install bulb and be sure to test fixture BEFORE trimming.

Install leaves with half ball.

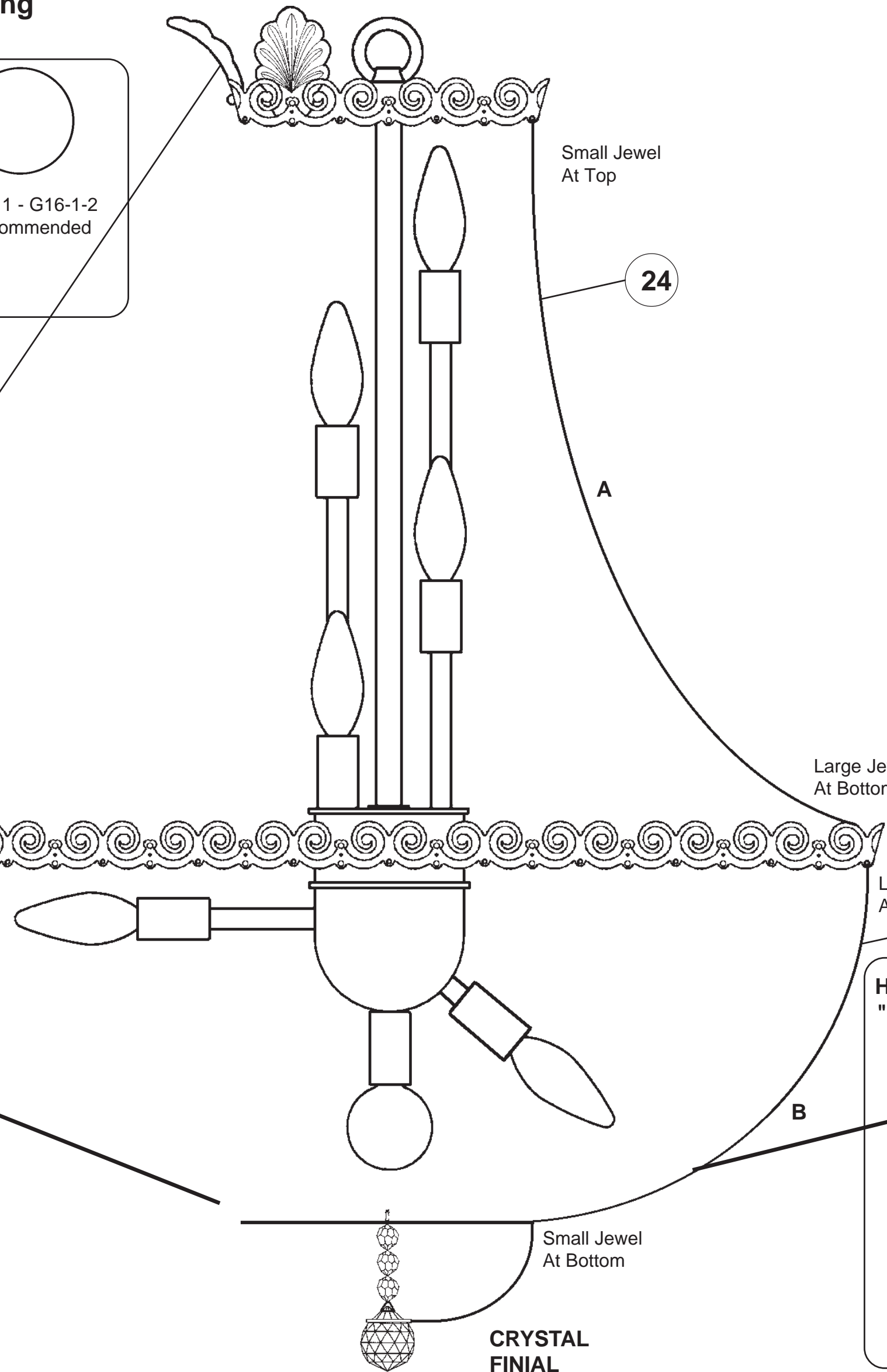
1. Screw half ball onto running thread.
2. Slide running thread thru gallery and leaf.
3. Adjust leaf to sit up and down (make sure leaf doesn't lean right or left).
4. Tighten leaf to gallery using thumb nut onto running thread.

23



Gently remove tissue paper from the inside of the Crystal Finial.

26



25 Large Jewel At Top

27 Hook the bottom of Chain "B" into the gallery of the Crystal Finial as indicated