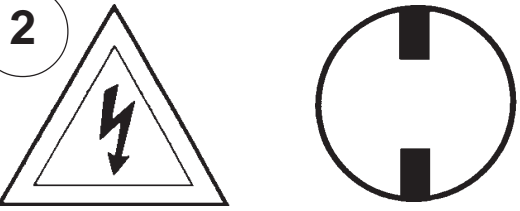


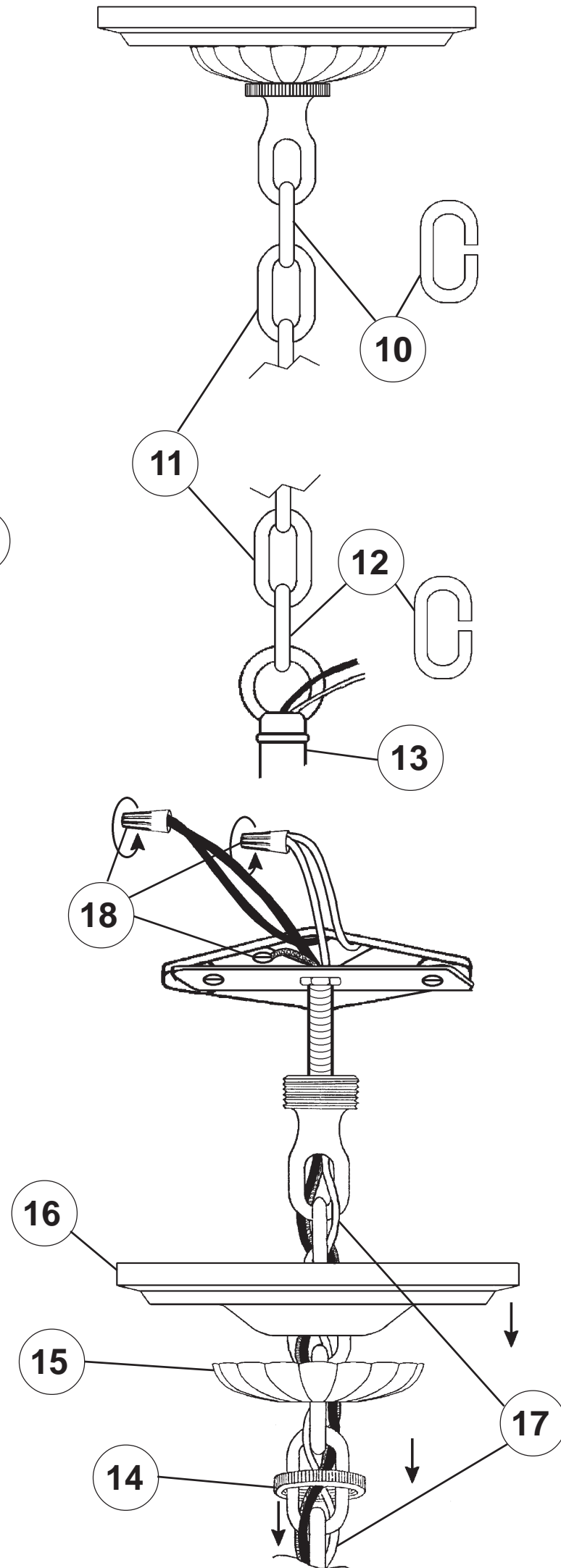
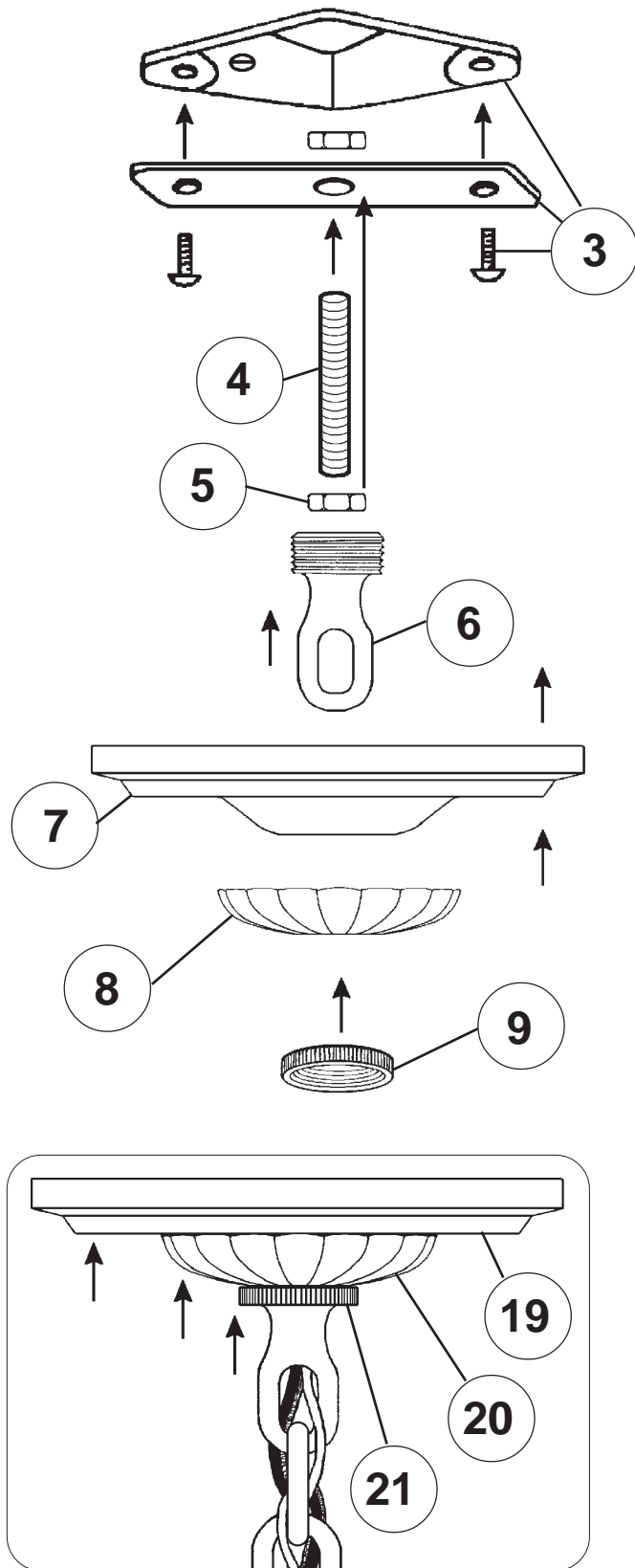
Instructions for electrician
STEPS 2 - 21

WARNING:

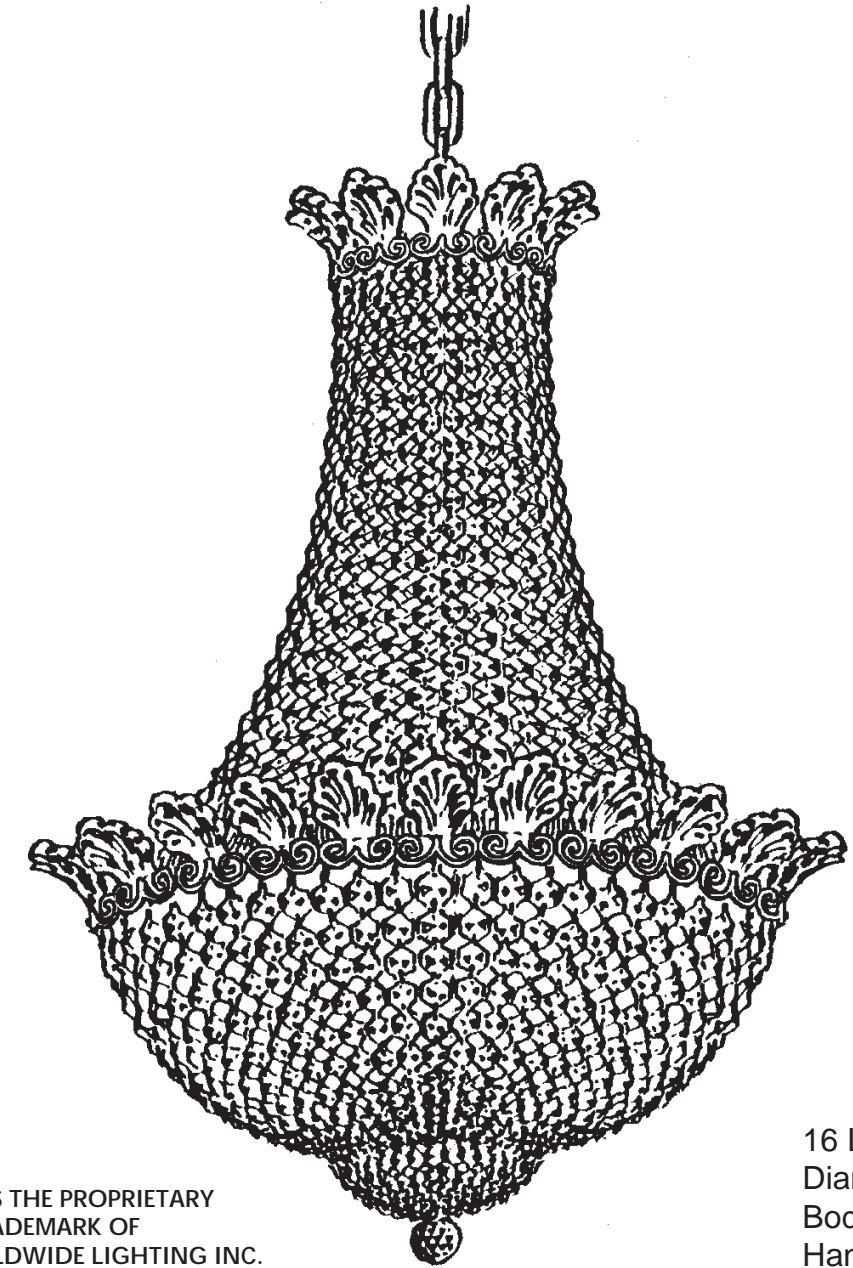


Electrical Danger Turn Power Off

All electrical components must be installed by a licensed electrician in accordance with the National Electric Code and the appropriate local electrical codes.



CHANDELIER 3716-____A TRIM DIAGRAM
(Finish Option)



16 Lights
Diameter: 21"
Body Length: 26"
Hanging Weight: 18 lbs.

THIS DESIGN IS THE PROPRIETARY TRADE DRESS/TRADEMARK OF SCHONBEK WORLDWIDE LIGHTING INC.

SCHONBEK[®]

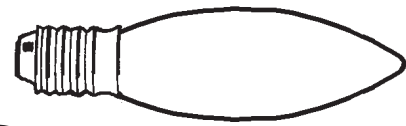
See diagram on back page
Follow steps in exact order
Save this trim diagram for future reference

1 IMPORTANT
Person who opens carton should record the following information for future service.
CODE # _____ Four-digit number on outside of carton.
PACKER # _____ See crystal package label.
ORDER # _____ See crystal package label.

SCHONBEK IS A WORLD LEADER IN CHANDELIER DESIGN. PATENTS INCLUDE:
#D5,222,805, #D5,588,744 & #D373,441

Instructions for crystal trimming

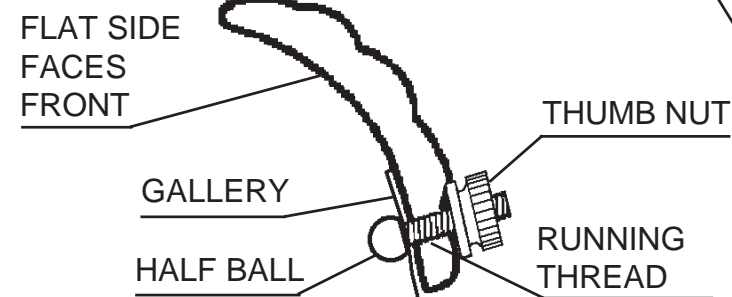
STEPS 22 - 27



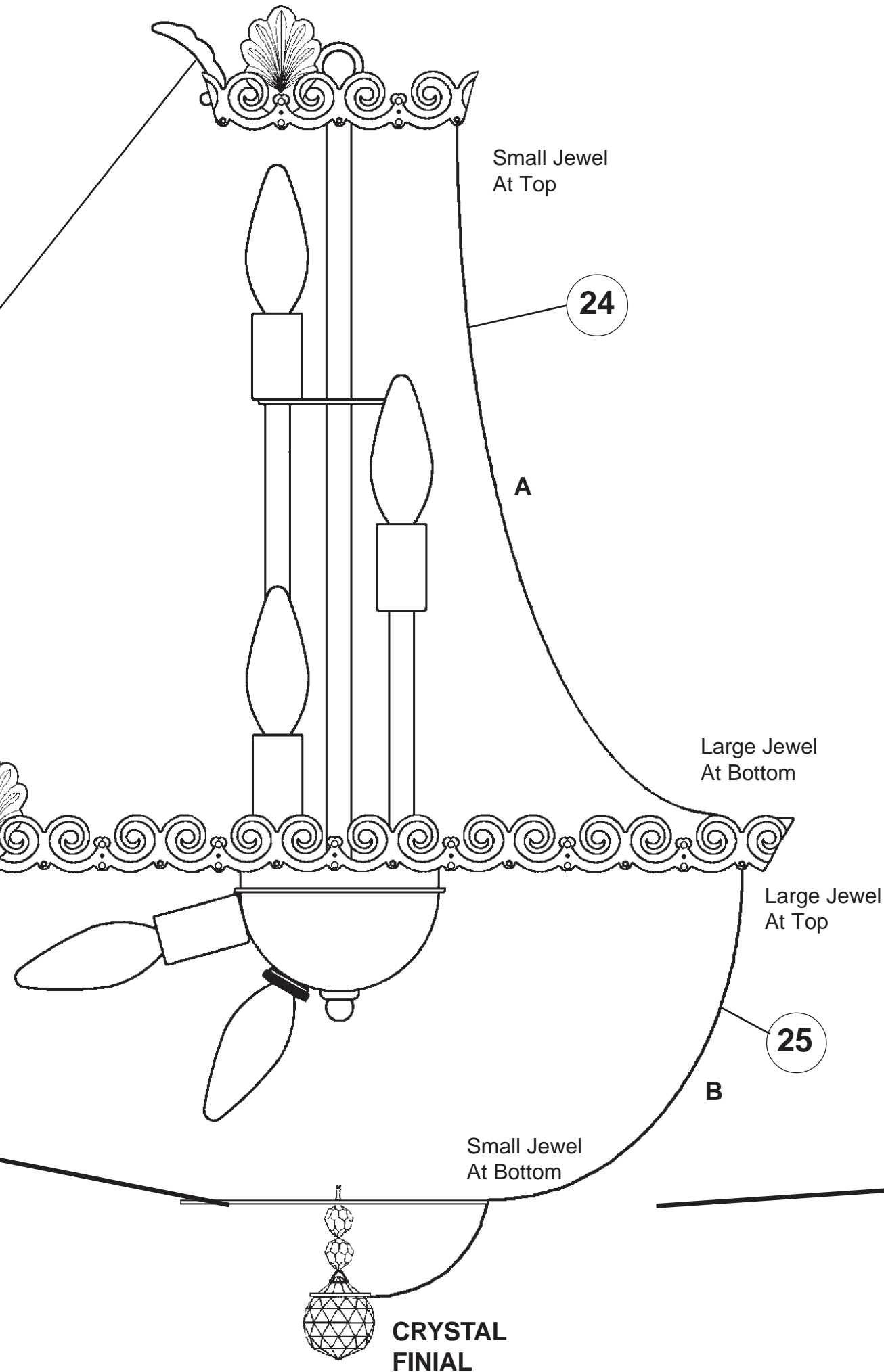
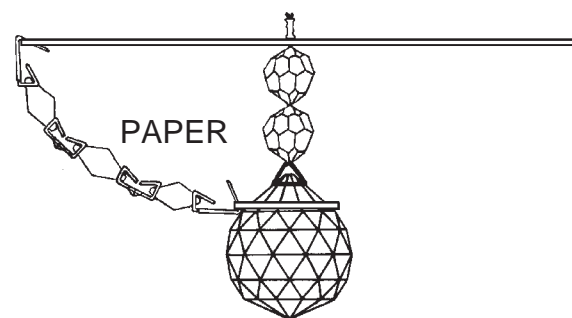
22 You will need 16 - C10
25 Watts Recommended
60 Watts Max

Install bulb and be sure to test
fixture **BEFORE** trimming.

Install leaves with half ball.
1. Screw half ball onto running thread.
2. Slide running thread thru gallery and
leaf.
3. Adjust leaf to sit up and down (make
sure leaf doesn't lean right or left).
4. Tighten leaf to gallery using
thumb nut onto running thread.



**Gently remove tissue
paper from the inside of
the Crystal Finial.**



**Hook the bottom of Chain
"B" into the gallery of the
Crystal Finial as
indicated**

