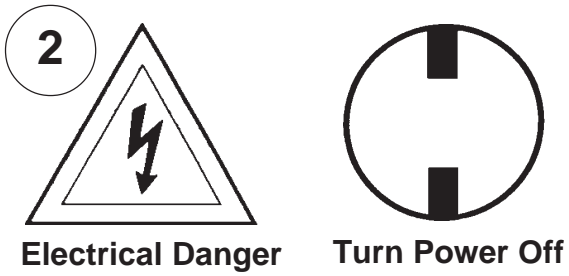
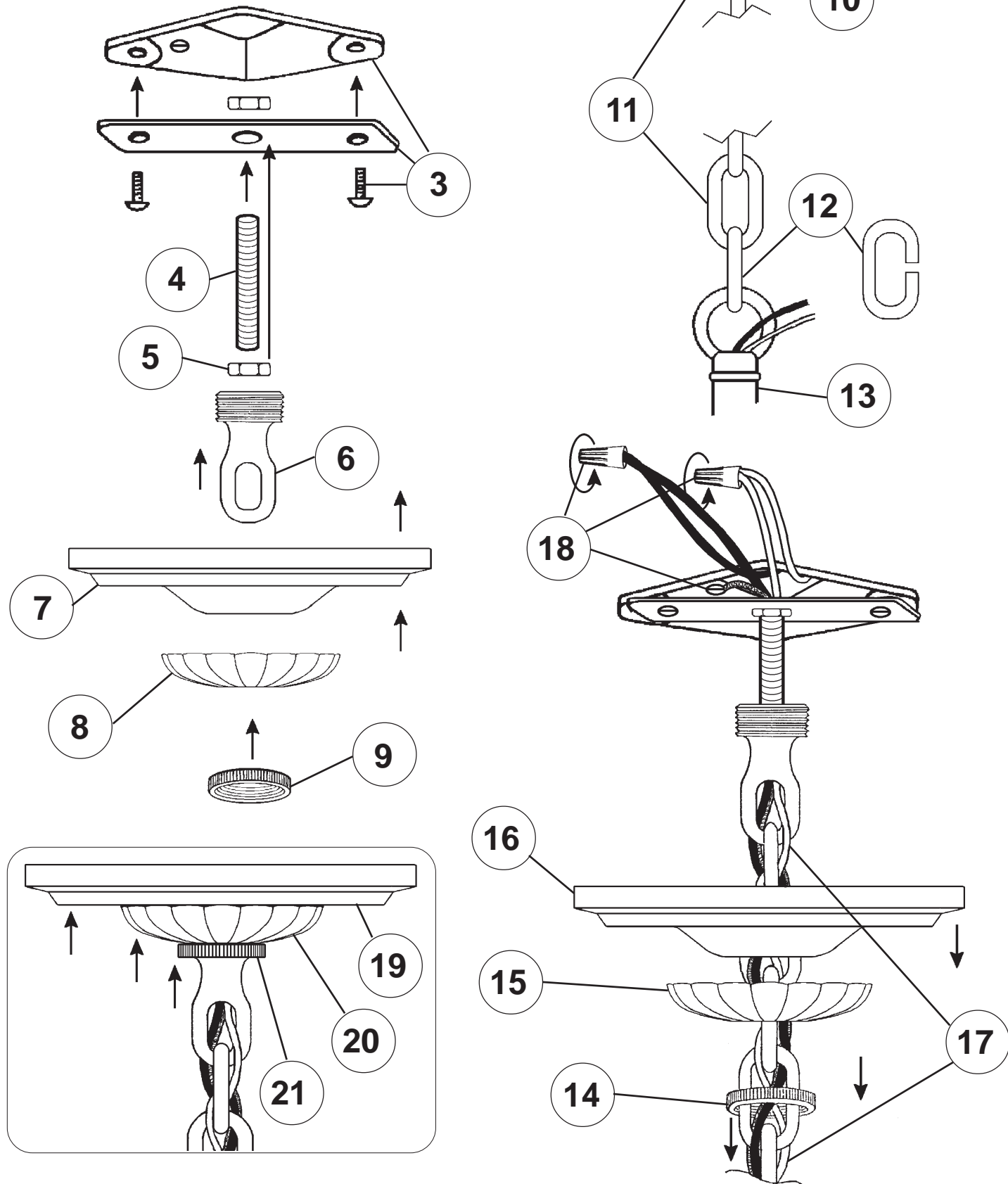


Instructions for electrician  
STEPS 2 - 21

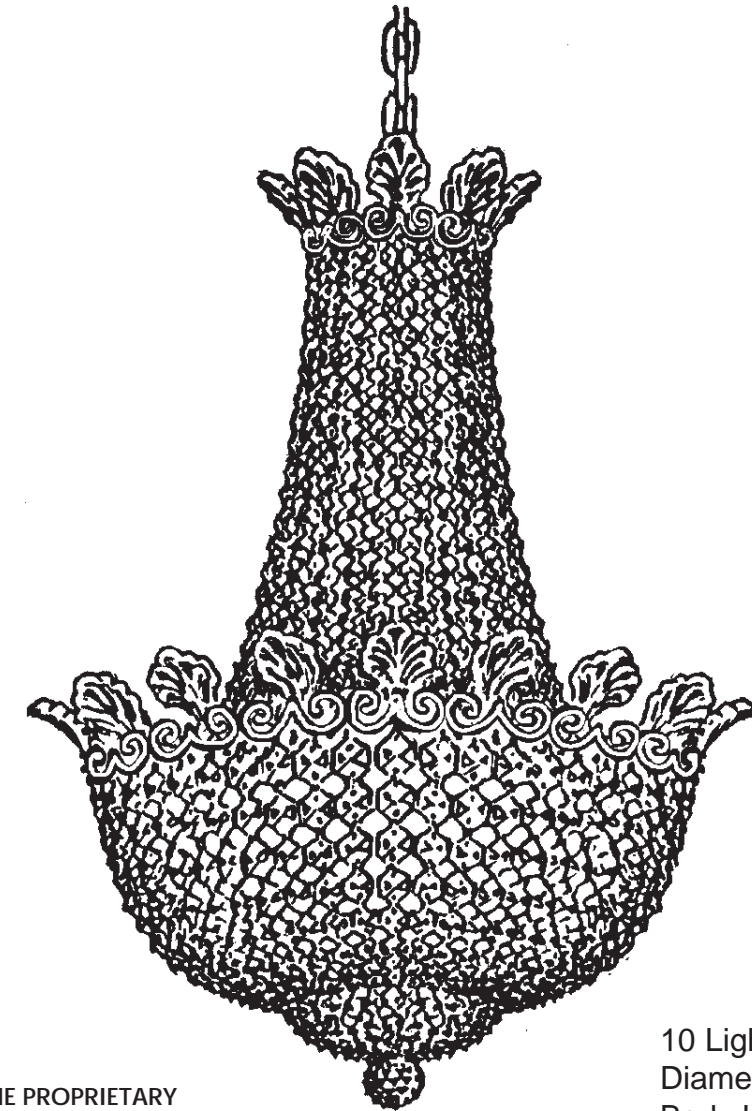
WARNING:



All electrical components must be installed by a licensed electrician in accordance with the National Electric Code and the appropriate local electrical codes.



CHANDELIER 3714- \_\_\_\_\_ A TRIM DIAGRAM  
(Finish Option)



10 Lights  
Diameter: 16-1/2"  
Body Length: 20-1/2"  
Hanging Weight: 12 lbs.

THIS DESIGN IS THE PROPRIETARY TRADE DRESS/TRADEMARK OF SCHONBEK WORLDWIDE LIGHTING INC.

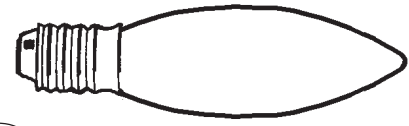
**SCHONBEK®**

See diagram on back page  
Follow steps in exact order  
Save this trim diagram for future reference

**1** **IMPORTANT**  
Person who opens carton should record the following information for future service.  
CODE # \_\_\_\_\_ Four-digit number on outside of carton.  
PACKER # \_\_\_\_\_ See crystal package label.  
ORDER # \_\_\_\_\_ See crystal package label.

SCHONBEK IS A WORLD LEADER IN CHANDELIER DESIGN. PATENTS INCLUDE:  
#D5,222,805, #D5,588,744 & #D373,441

**Instructions for crystal trimming**  
**STEPS 22 - 27**



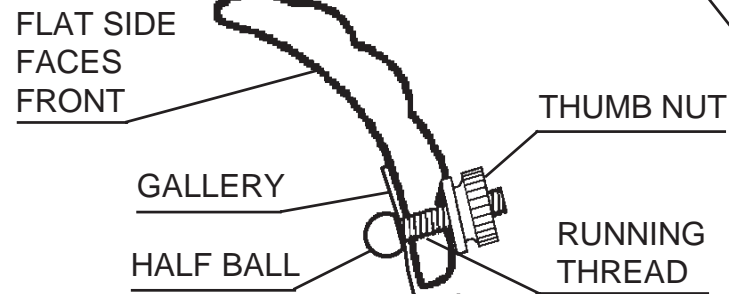
**22** You will need 10 - C10  
25 Watts Recommended  
60 Watts Max

**Install bulb and be sure to test  
fixture BEFORE trimming.**

**Install leaves with half ball.**

1. Screw half ball onto running thread.
2. Slide running thread thru gallery and leaf.
3. Adjust leaf to sit up and down (make sure leaf doesn't lean right or left).
4. Tighten leaf to gallery using thumb nut onto running thread.

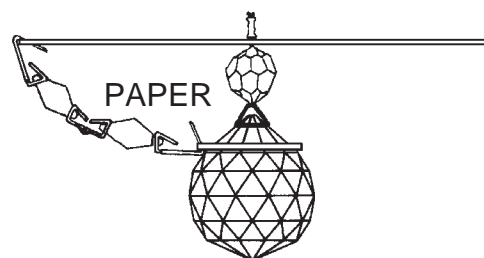
**23**



#9580/56

**Gently remove tissue  
paper from the inside of  
the Crystal Finial.**

**26**



**CRYSTAL  
FINIAL**

Small Jewel  
At Top

**24**

A

Large Jewel  
At Bottom

Large Jewel  
At Top

B

**25**

Small Jewel  
At Bottom

**Hook the bottom of Chain  
"B" into the gallery of the  
Crystal Finial as  
indicated**

**27**