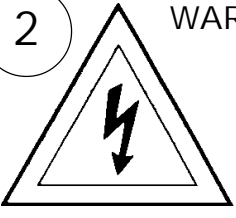
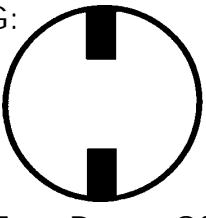
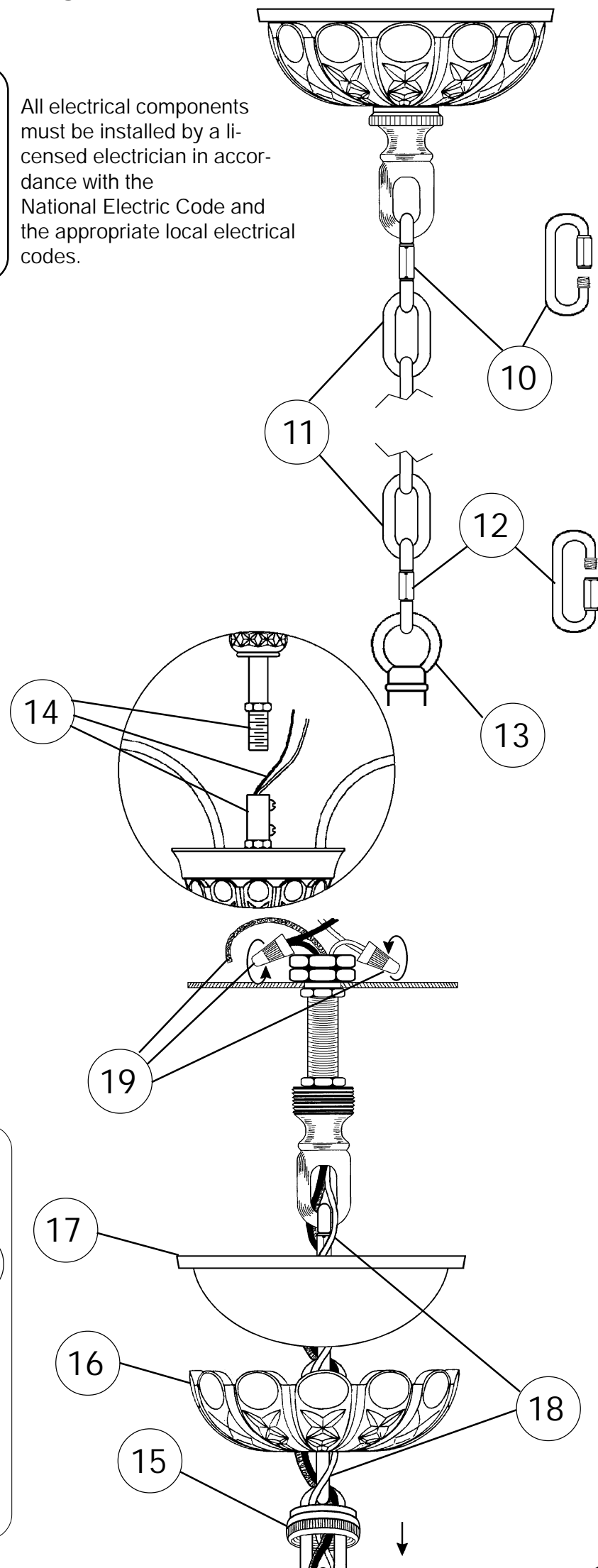
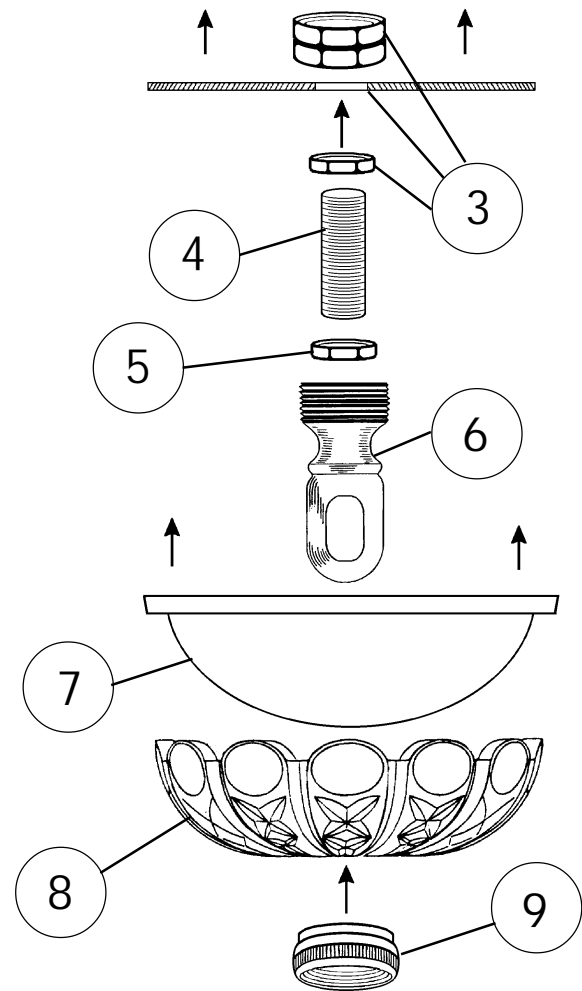


Instructions for electrician
STEPS 2 - 22

WARNING: THIS LUMINAIRE MUST BE MOUNTED OR SUPPORTED INDEPENDENTLY OF AN OUTLET BOX.

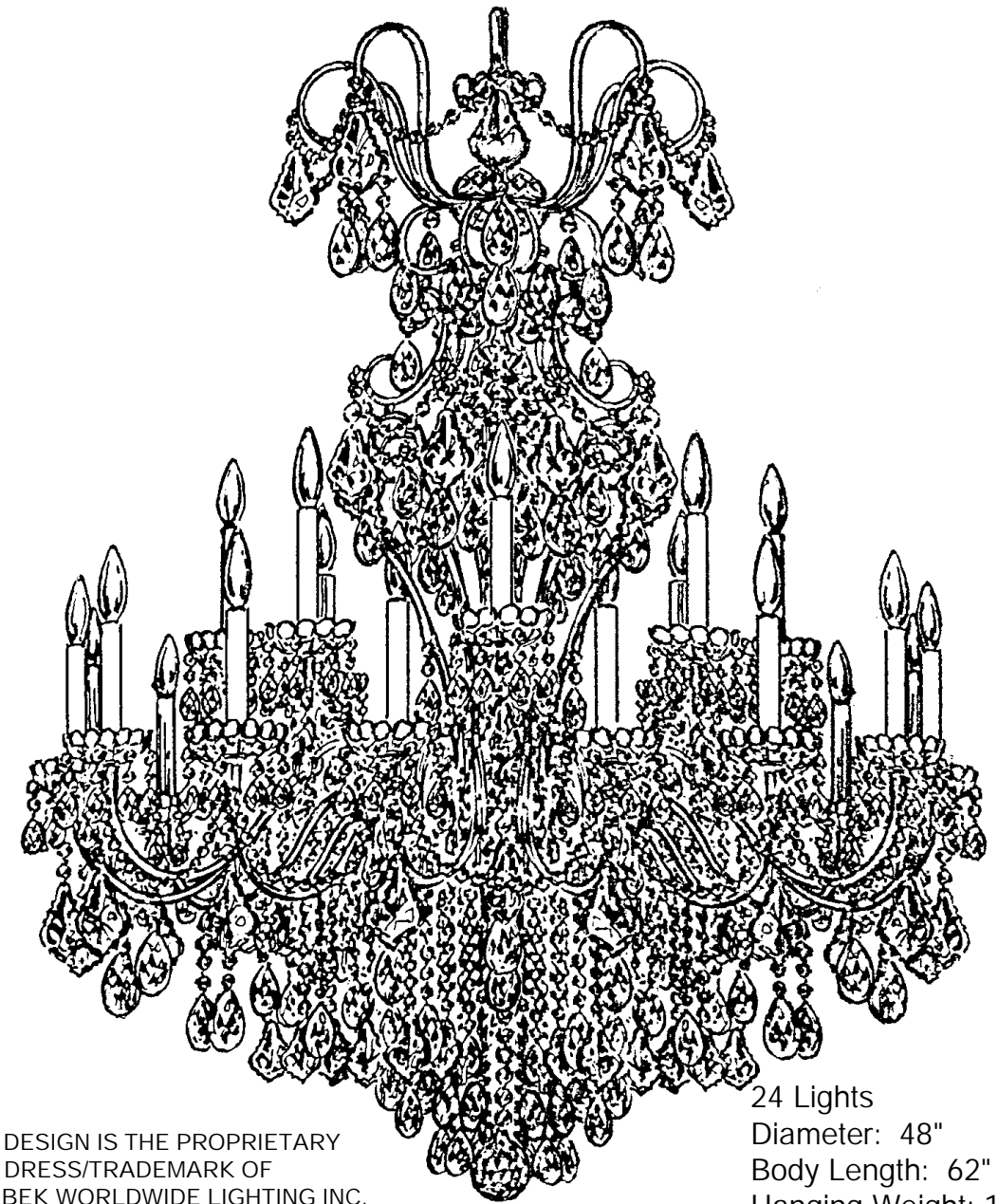
2 **WARNING:**  
Electrical Danger Turn Power Off

All electrical components must be installed by a licensed electrician in accordance with the National Electric Code and the appropriate local electrical codes.



CHANDELIER 3662-_____ TRIM DIAGRAM

(Finish Option) (Trim Option)



THIS DESIGN IS THE PROPRIETARY TRADE DRESS/TRADEMARK OF SCHONBEK WORLDWIDE LIGHTING INC.

24 Lights
Diameter: 48"
Body Length: 62"
Hanging Weight: 110 lbs.

SCHONBEK[®]

See diagram on back page
Follow steps in exact order
Save this trim diagram for future reference

1


IMPORTANT
Please record the following information for future service.

CODE # _____ Four-digit number on outside of carton.
PACKER # _____ See crystal package label.
ORDER # _____ See crystal package label.

SCHONBEK IS A WORLD LEADER IN CHANDELIER DESIGN. PATENTS INCLUDE:
#D5,404,285, #D338,278 & #D345,815

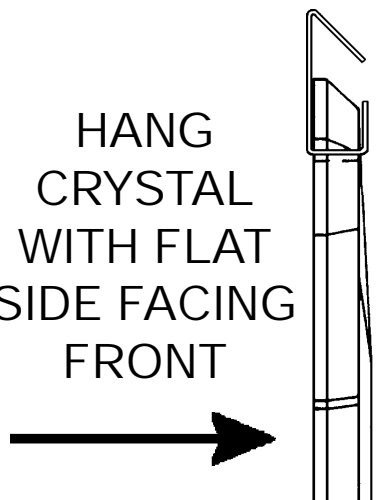
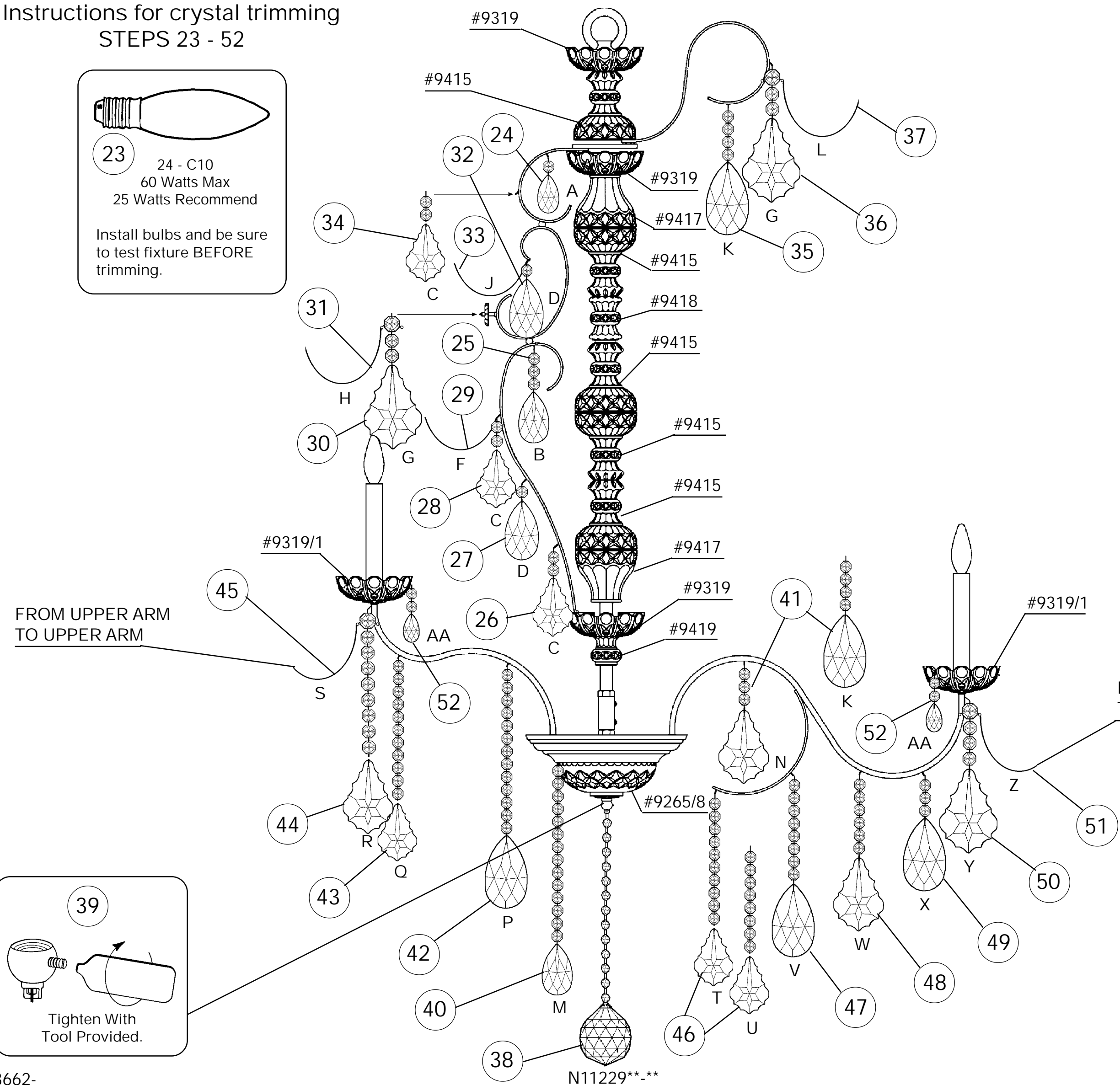
Instructions for crystal trimming
STEPS 23 - 52



23  24 - C10
60 Watts Max
25 Watts Recommend

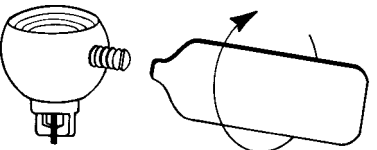
Install bulbs and be sure to test fixture BEFORE trimming.

HANG
CRYSTAL
WITH FLAT
SIDE FACING
FRONT

FROM UPPER ARM
TO UPPER ARM

FROM LOWER ARM
TO LOWER ARM

39 

Tighten With
Tool Provided.

NOTE

ALTERNATE:

STEP #41 N & K
STEP #46 T & U