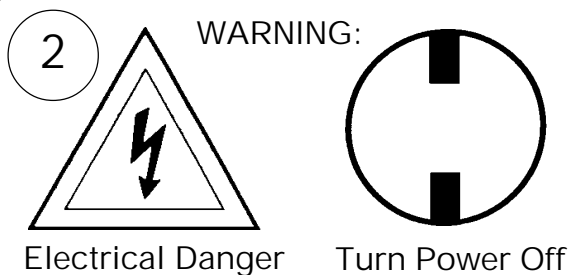
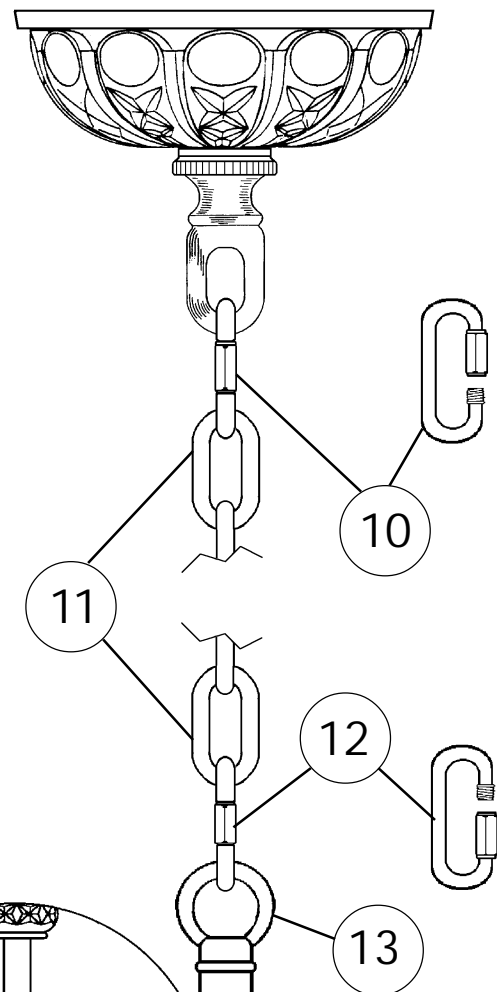
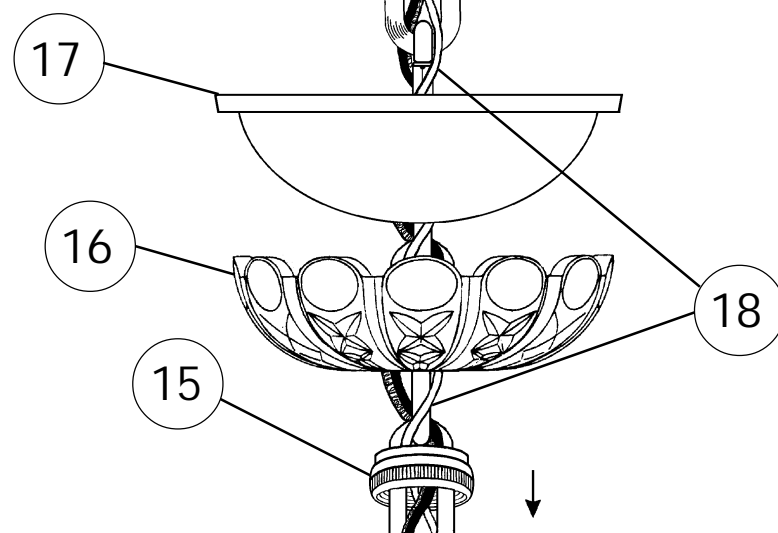
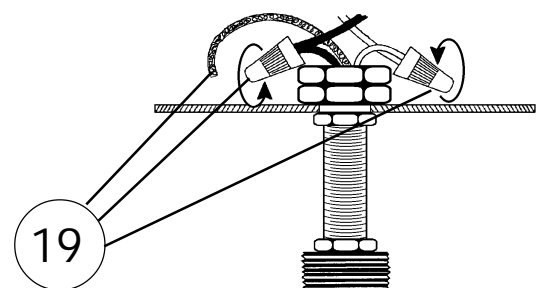
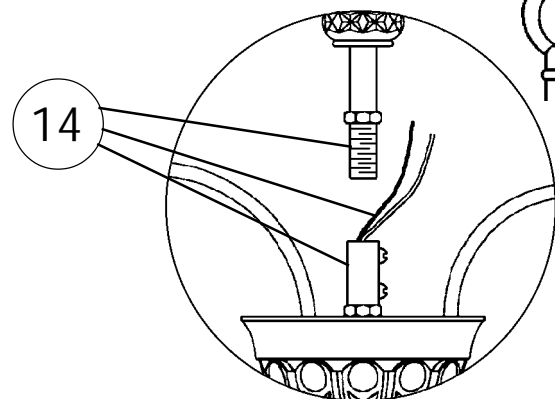
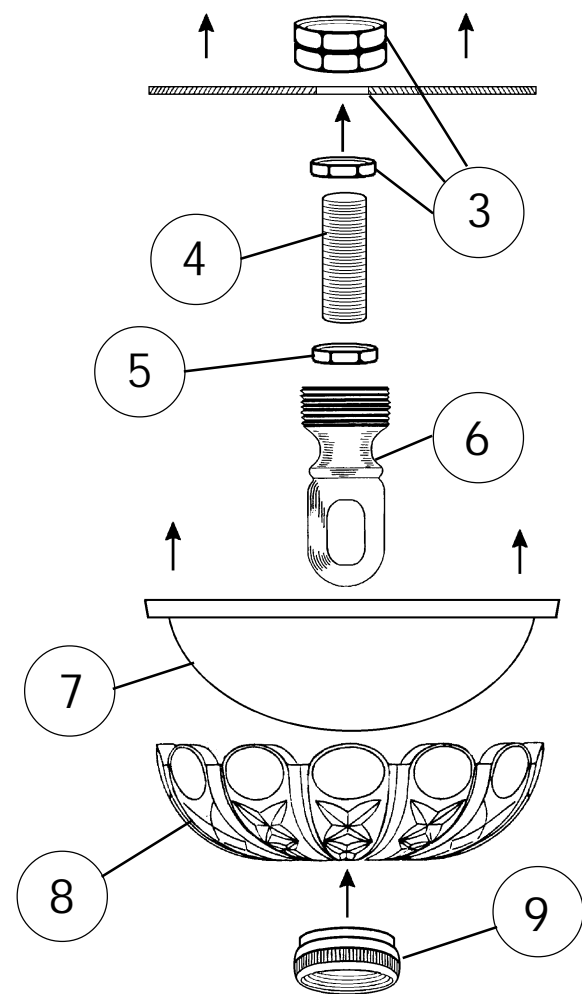


Instructions for electrician
STEPS 2 - 22

WARNING: THIS LUMINAIRE MUST BE MOUNTED OR SUPPORTED INDEPENDENTLY OF AN OUTLET BOX.

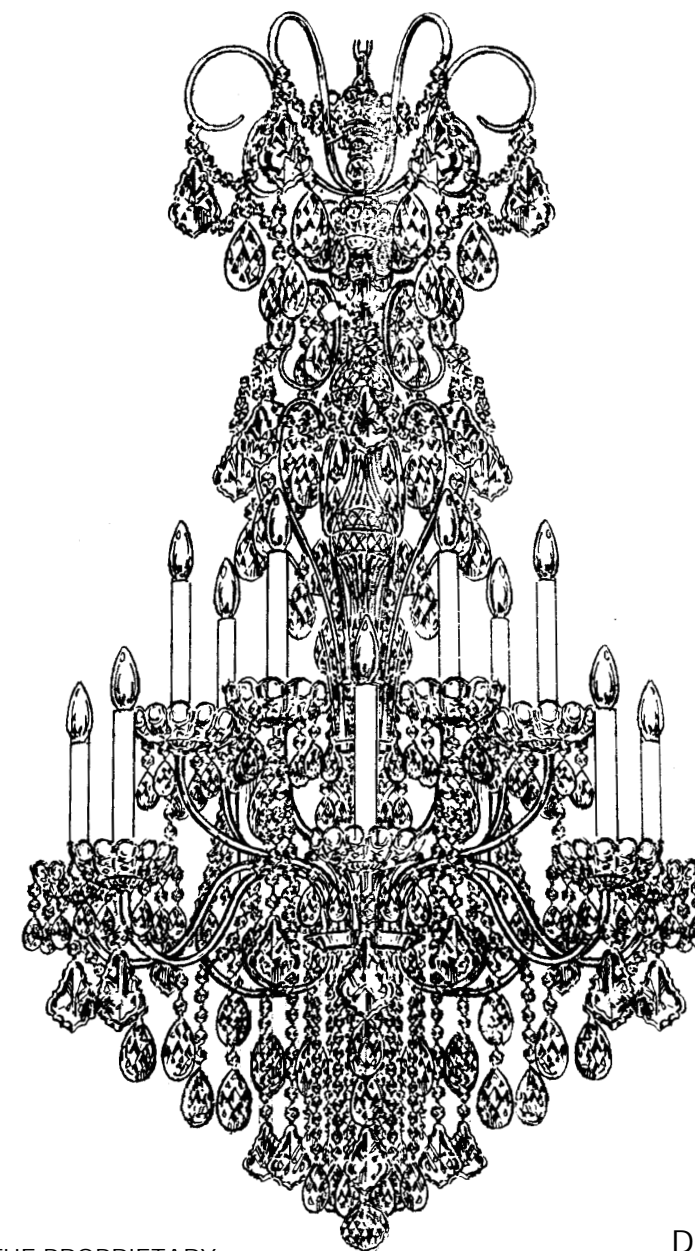


All electrical components must be installed by a licensed electrician in accordance with the National Electric Code and the appropriate local electrical codes.



CHANDELIER 3659-____ TRIM DIAGRAM

(Finish Option) (Trim Option)



14 Lights
Diameter: 32"
Body Length: 53"
Hanging Weight: 50 lbs.

THIS DESIGN IS THE PROPRIETARY TRADE DRESS/TRADEMARK OF SCHONBEK WORLDWIDE LIGHTING INC.

SCHONBEK®

See diagram on back page
Follow steps in exact order
Save this trim diagram for future reference

1

IMPORTANT
Please record the following information for future service.

CODE # _____ Four-digit number on outside of carton.
PACKER # _____ See crystal package label.
ORDER # _____ See crystal package label.

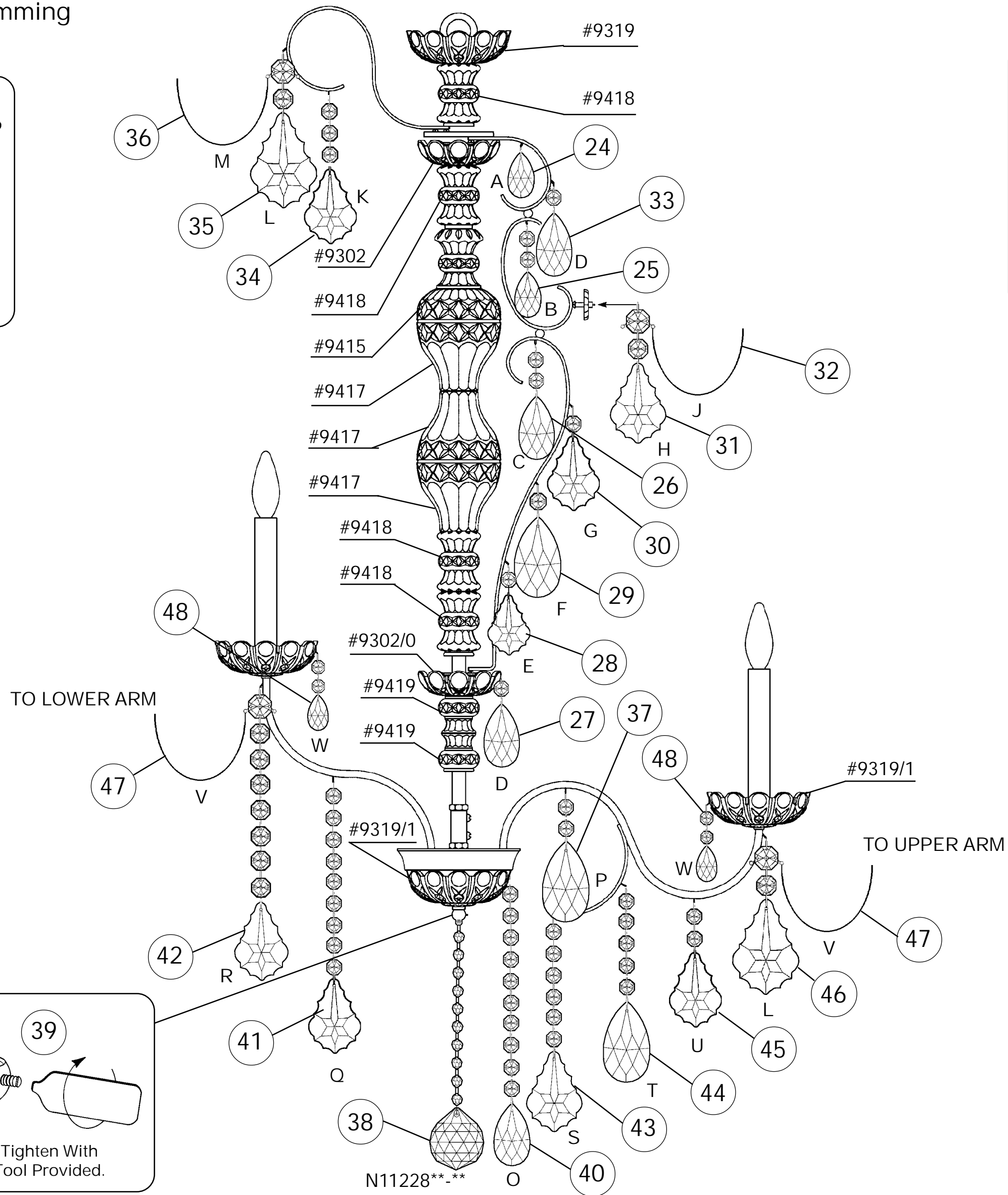
SCHONBEK IS A WORLD LEADER IN CHANDELIER DESIGN. PATENTS INCLUDE:
#D5,404,285, #D338,278 & #D345,815

Instructions for crystal trimming
STEPS 23 - 48



23 14 - C10
60 Watts Max
25 Watts Recommend

Install bulbs and be sure to test fixture BEFORE trimming.



HANG
CRYSTAL
WITH FLAT
SIDE FACING
FRONT

39

Tighten With
Tool Provided.

