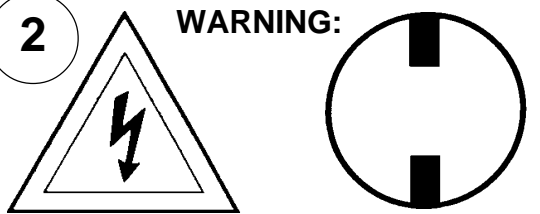
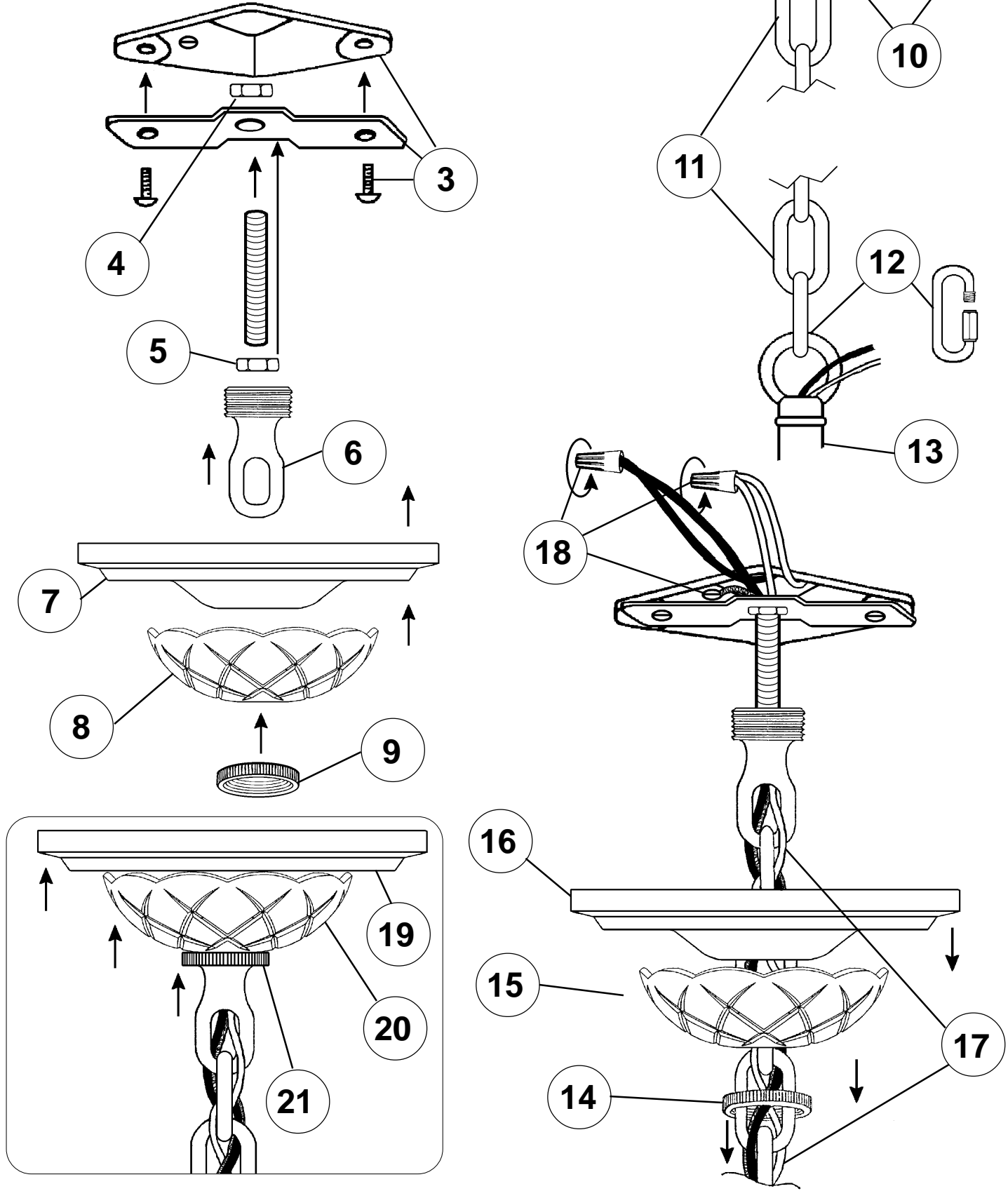


**Instructions for electrician**  
**STEPS 2 - 21**

**2** **WARNING:** 

**Electrical Danger Turn Power Off**

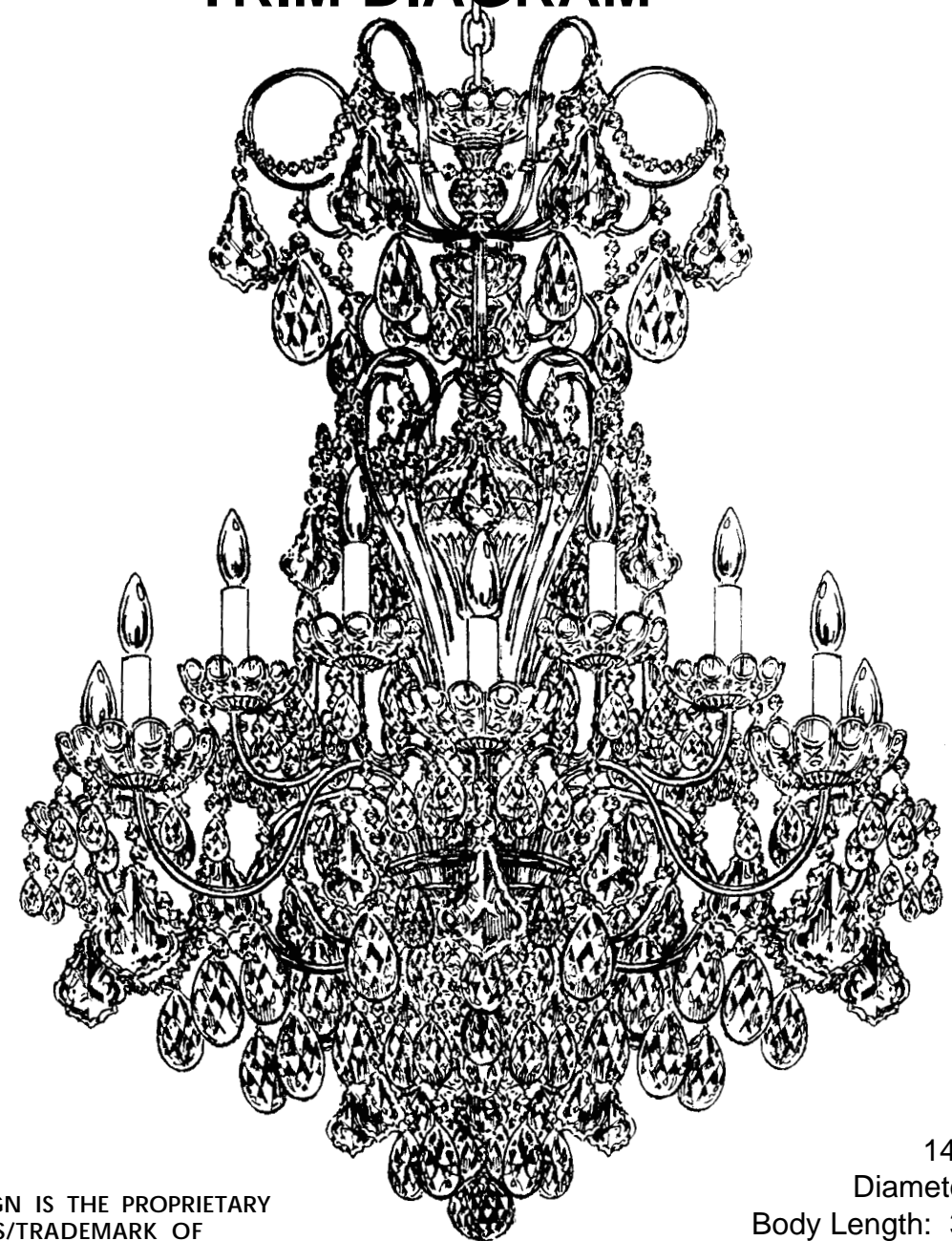
All electrical components must be installed by a licensed electrician in accordance with the National Electric Code and the appropriate local electrical codes.



**CHANDELIER 3658-** \_\_\_\_\_

(Finish Option) (Trim Option)

**TRIM DIAGRAM**



14 Lights  
Diameter: 32"  
Body Length: 38-1/2"  
Hanging Weight: 40 lbs.

**T**HIS DESIGN IS THE PROPRIETARY TRADE DRESS/TRADEMARK OF SCHONBEK WORLDWIDE LIGHTING INC.

**SCHONBEK®**

**See diagram on back page**  
**Follow steps in exact order**  
**Save this trim diagram for future reference**

**1** **IMPORTANT**  
*Person who opens carton should record the following information for future service.*

CODE # \_\_\_\_\_ Four-digit number on outside of carton.  
PACKER # \_\_\_\_\_ See crystal package label.  
ORDER # \_\_\_\_\_ See crystal package label.

SCHONBEK IS A WORLD LEADER IN CHANDELIER DESIGN. PATENTS INCLUDE:  
#D5,404,285, #D338,278 & #D345,815

