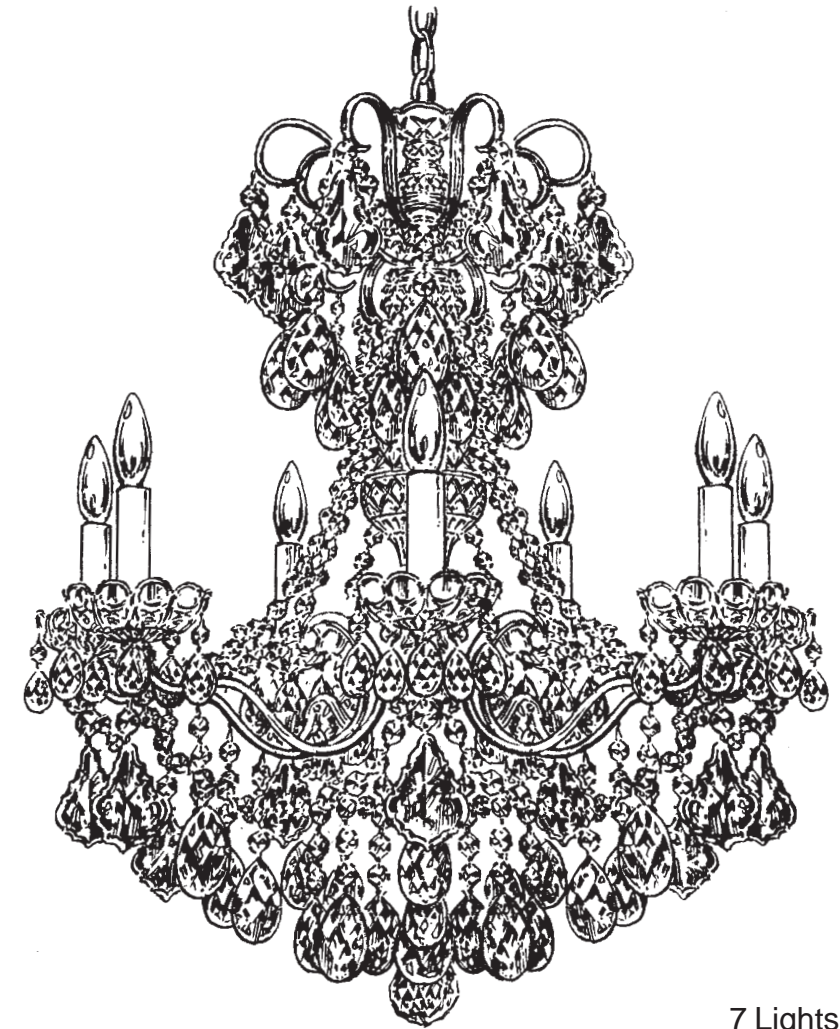




SCHONBEK®

NEW ORLEANS 3656- _____



7 Lights
Diameter: 24"
Body Length: 27"
Hanging Weight: 16 lbs.

THIS DESIGN IS THE PROPRIETARY
TRADE DRESS/TRADemark OF
SWAROVSKI LIGHTING, LTD.

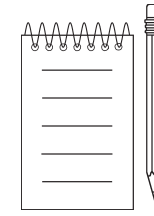
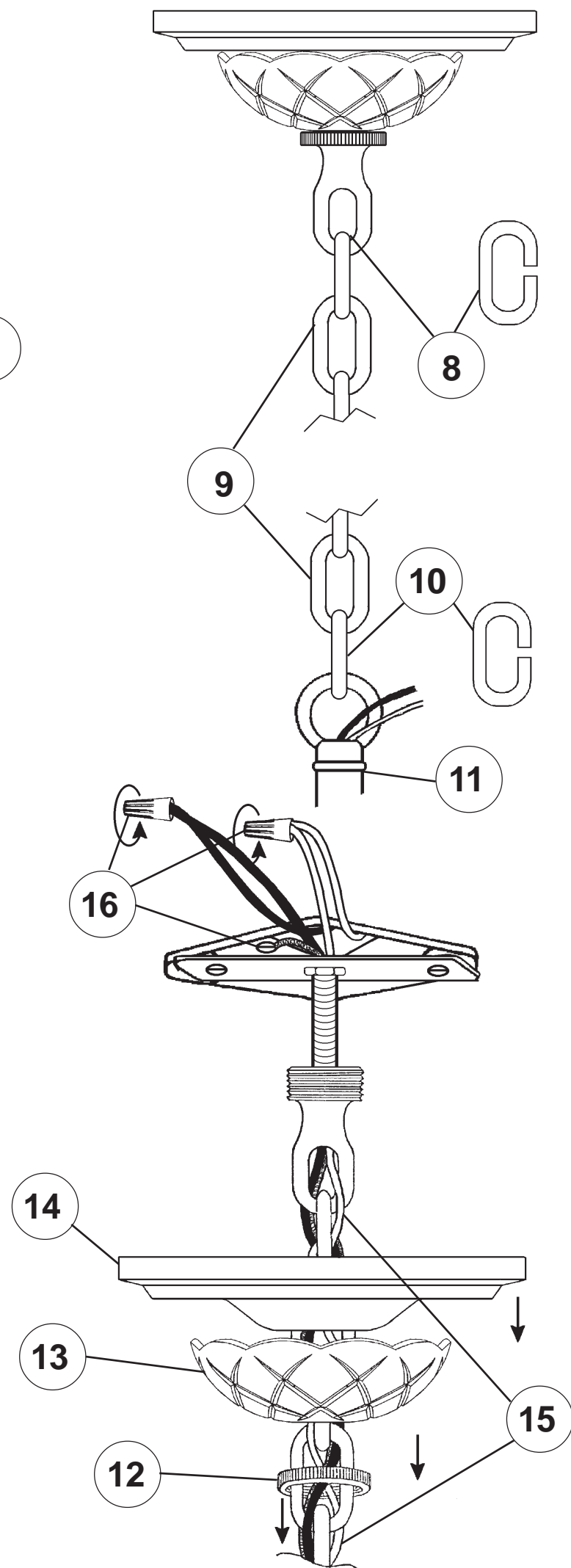
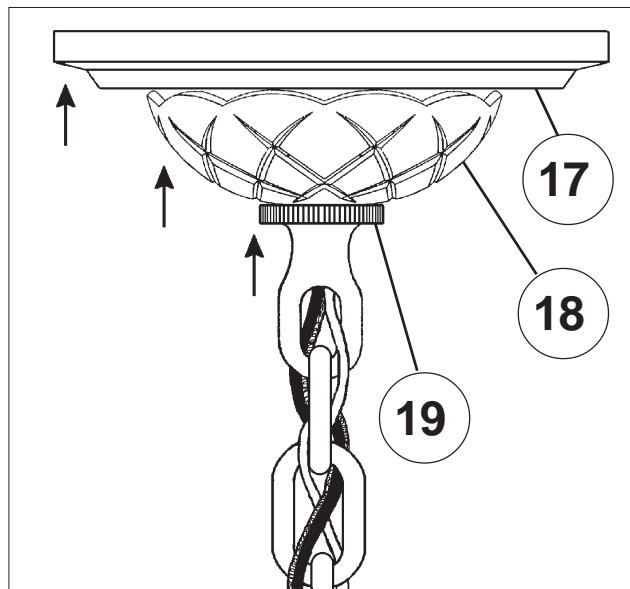
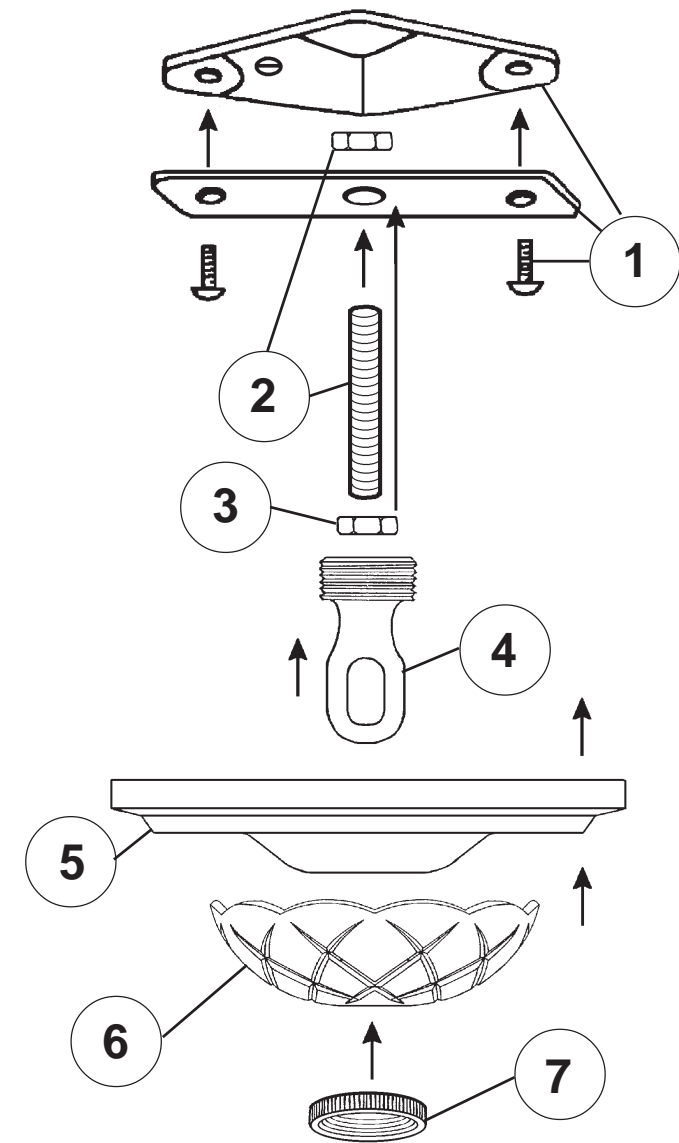


SCHONBEK®

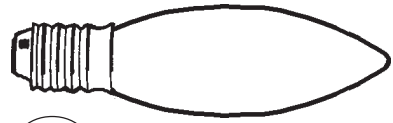
MAX 60 W		110-120 V					

SCHONBEK® is a member of the Swarovski group.

All electrical components must be installed by a licensed electrician in accordance with the National Electric Code and the appropriate local electrical codes.



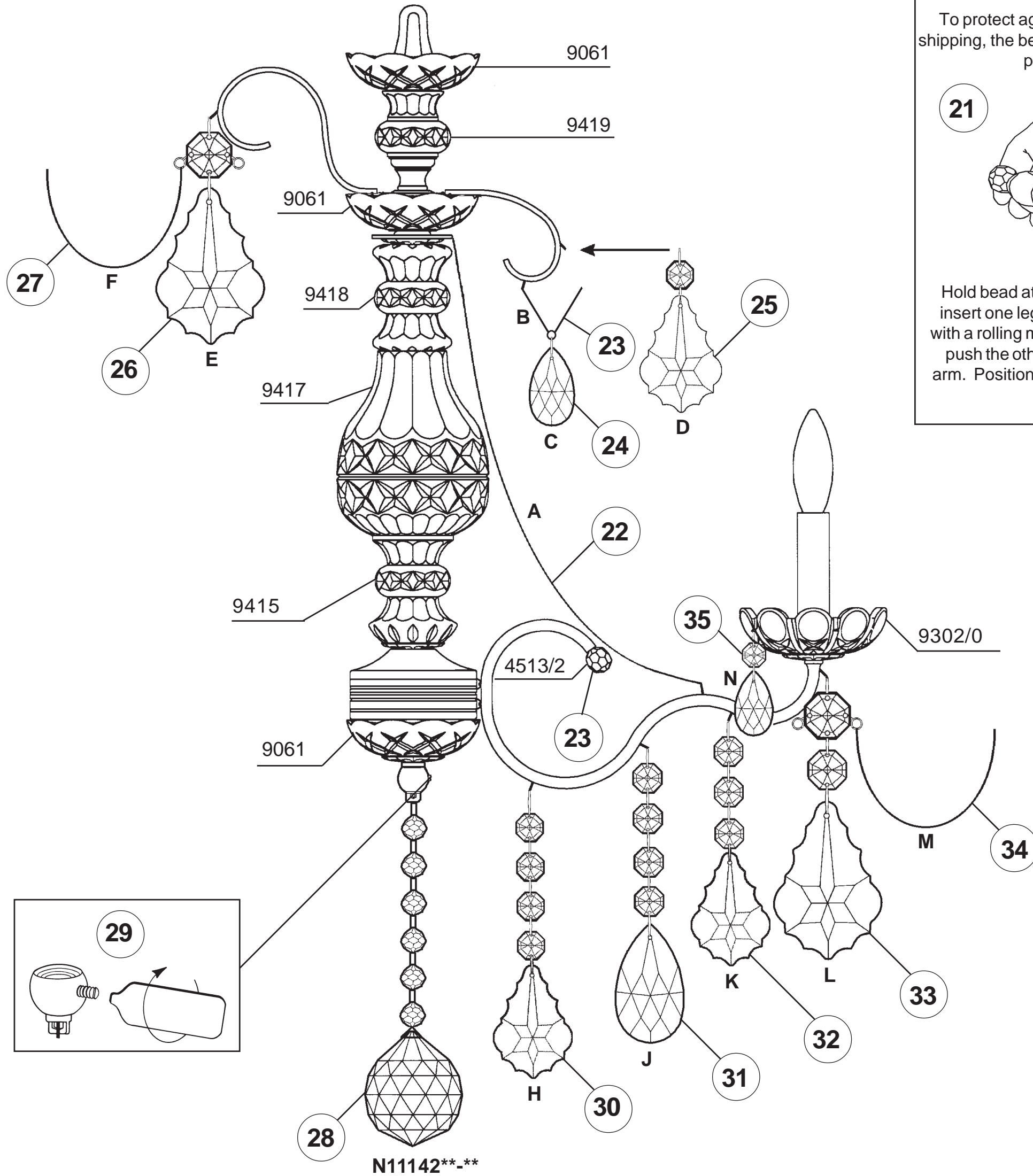




20

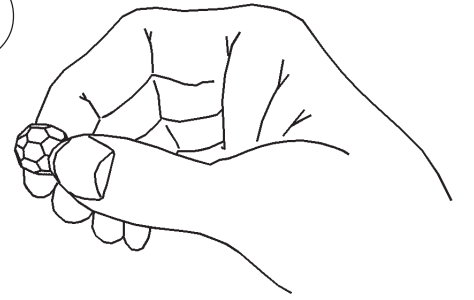
You will need 7 - B10
25 Watts Recommended
60 Watts Max

Install bulb and be sure
to test fixture **BEFORE**
trimming.

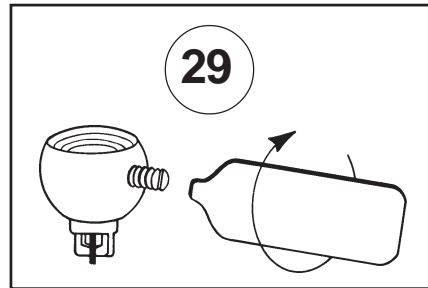


To protect against beakage and loss during shipping, the beads are supplied in a plastic bag, packed with the trim.

21



Hold bead at an angle to the arm as shown, insert one leg of the holder into the arm and, with a rolling motion across the end of the arm, push the other leg of the connector into the arm. Position so that the bead is in the center of the arm.



29

N11142**-**

