



SCHONBEK®

NEW ORLEANS 3648- _____



THIS DESIGN IS THE PROPRIETARY TRADE DRESS/TRADemark OF SWAROVSKILIGHTING, LTD.

4 Lights
Diameter: 12"
Body Length: 16-1/2"
Hanging Weight: 4 lbs.

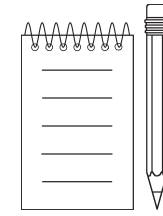
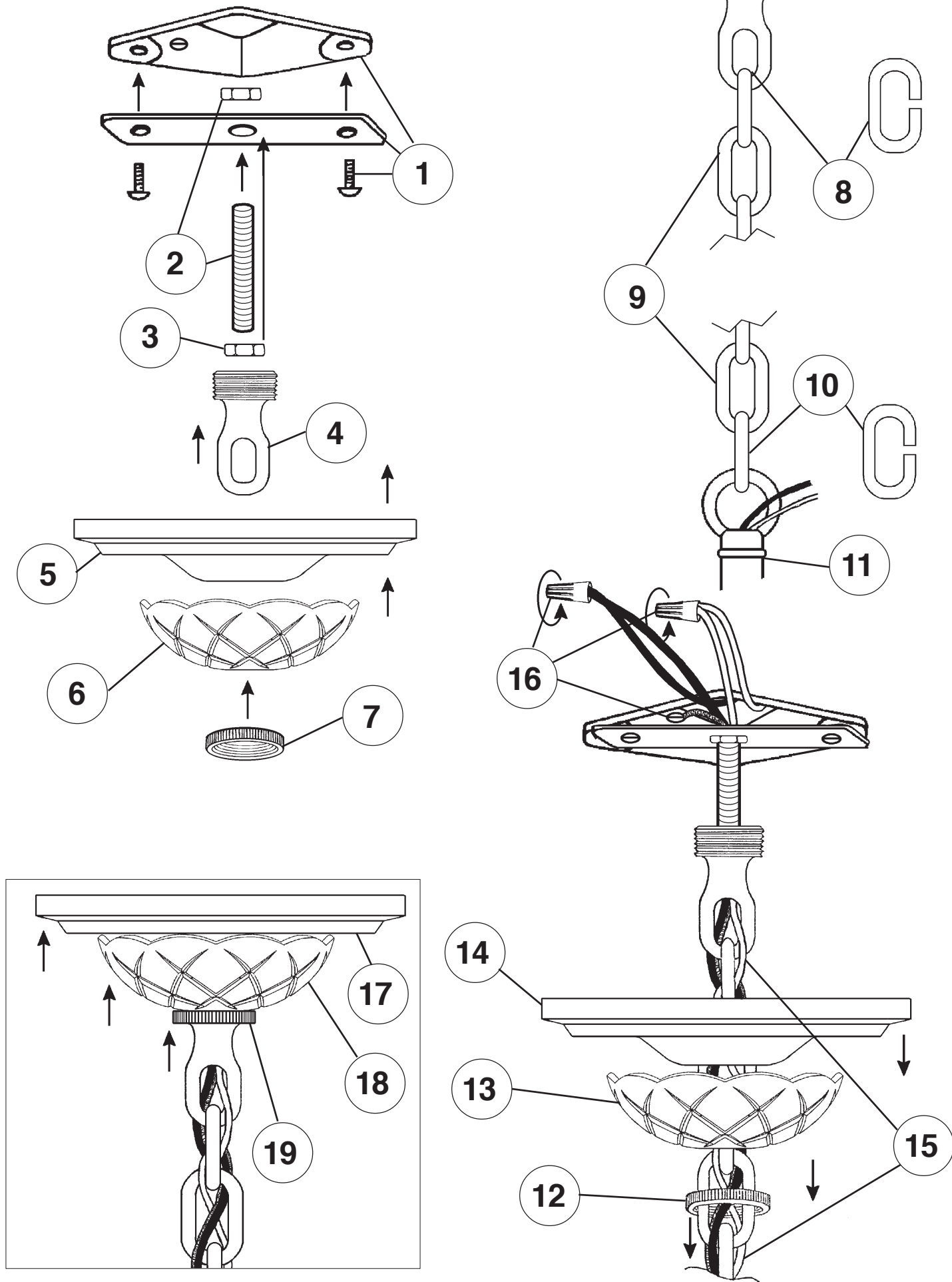


SCHONBEK®

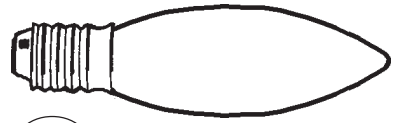
MAX 60 W		110-120 V						

SCHONBEK® is a member of the Swarovski group.

All electrical components must be installed by a licensed electrician in accordance with the National Electric Code and the appropriate local electrical codes.







20

You will need 4 - B10
25 Watts Recommended
60 Watts Max

Install bulb and be sure
to test fixture **BEFORE**
trimming.

