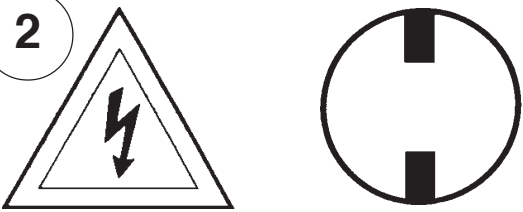


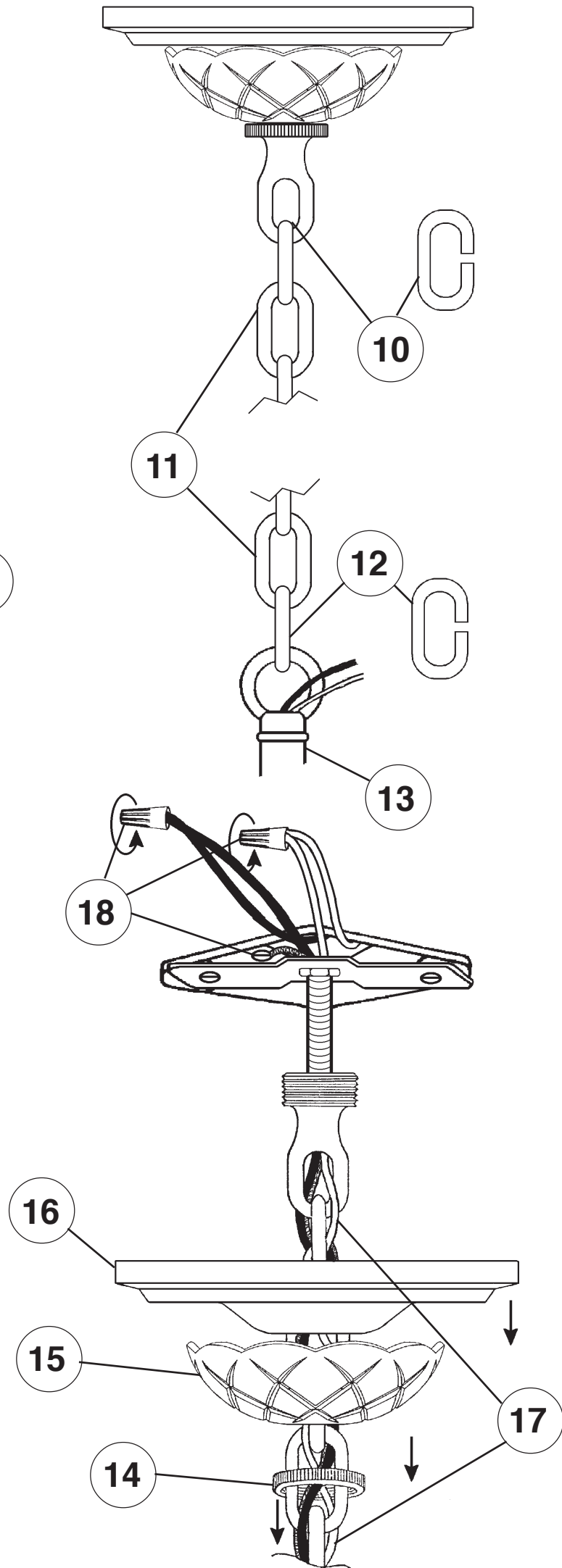
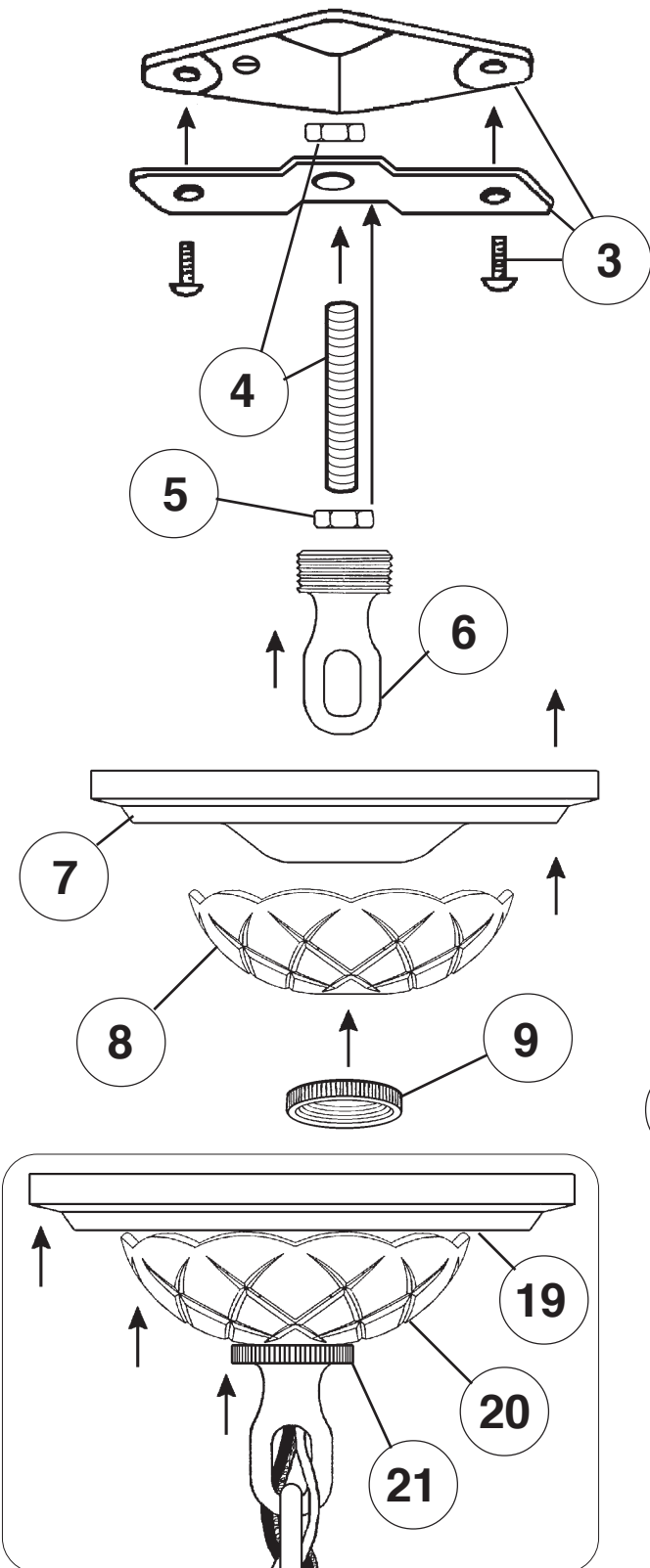
Instructions for electrician
STEPS 2 - 21

WARNING:



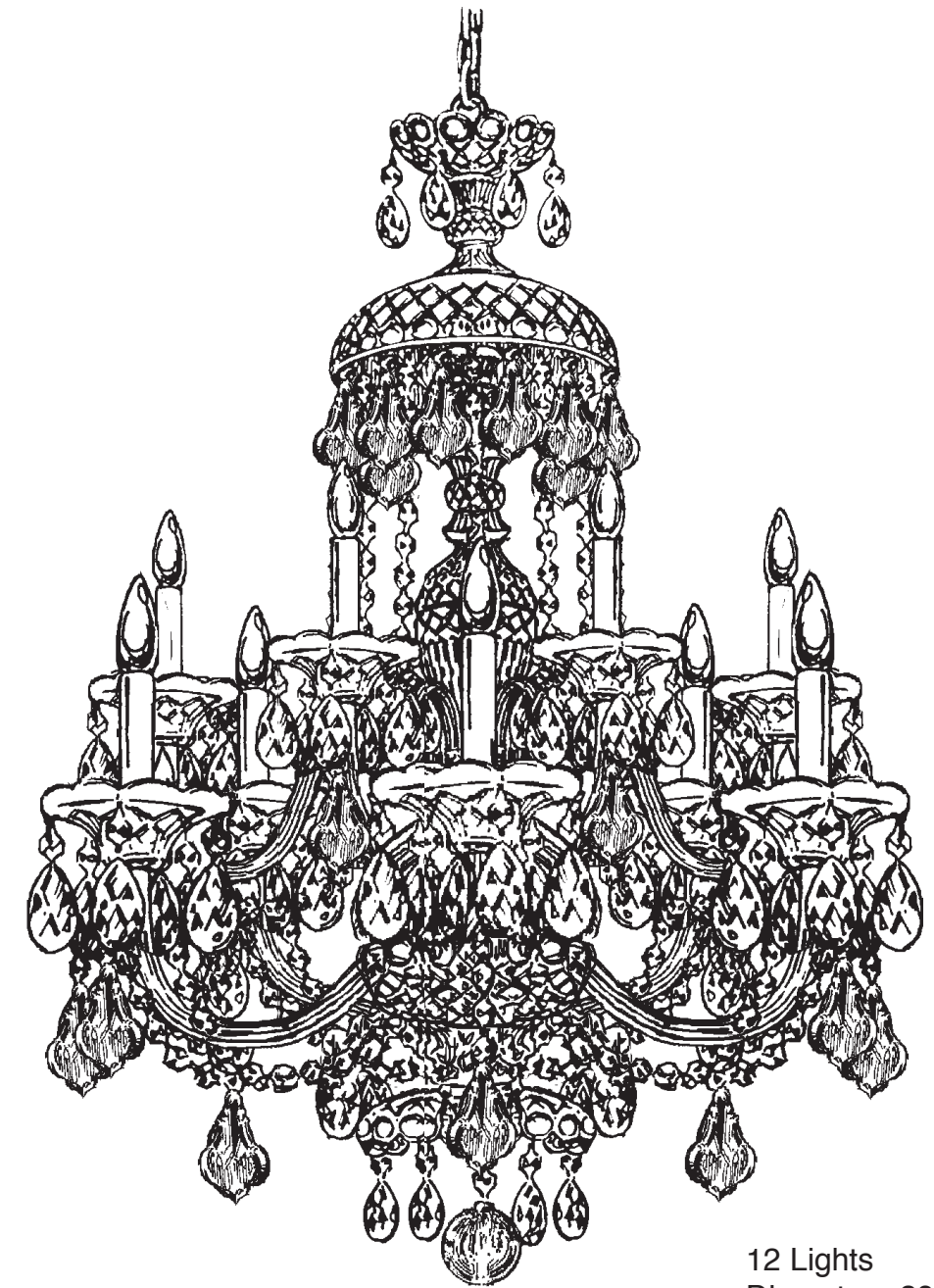
Electrical Danger Turn Power Off

All electrical components must be installed by a licensed electrician in accordance with the National Electric Code and the appropriate local electrical codes.



CHANDELIER 3601- _____ **TRIM DIAGRAM**

(Finish Option) (Trim Option)



12 Lights
Diameter: 29"
Body Length: 30"
Hanging Weight: 26 pounds

THIS DESIGN IS THE PROPRIETARY TRADE DRESS/TRADE MARK OF SCHONBEK WORLDWIDE LIGHTING INC.

SCHONBEK®

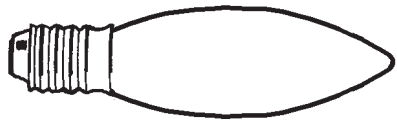
See diagram on back page
Follow steps in exact order
Save this trim diagram for future reference

IMPORTANT
1 *Person who opens carton should record the following information for future service.*
CODE # _____ Four-digit number on outside of carton.
PACKER # _____ See crystal package label.
ORDER # _____ See crystal package label.

SCHONBEK IS A WORLD LEADER IN CHANDELIER DESIGN. PATENTS INCLUDE: #D5,404,285, #D5,460,269, #D335,720, #D338,278 & #D339,879

Instructions for crystal trimming

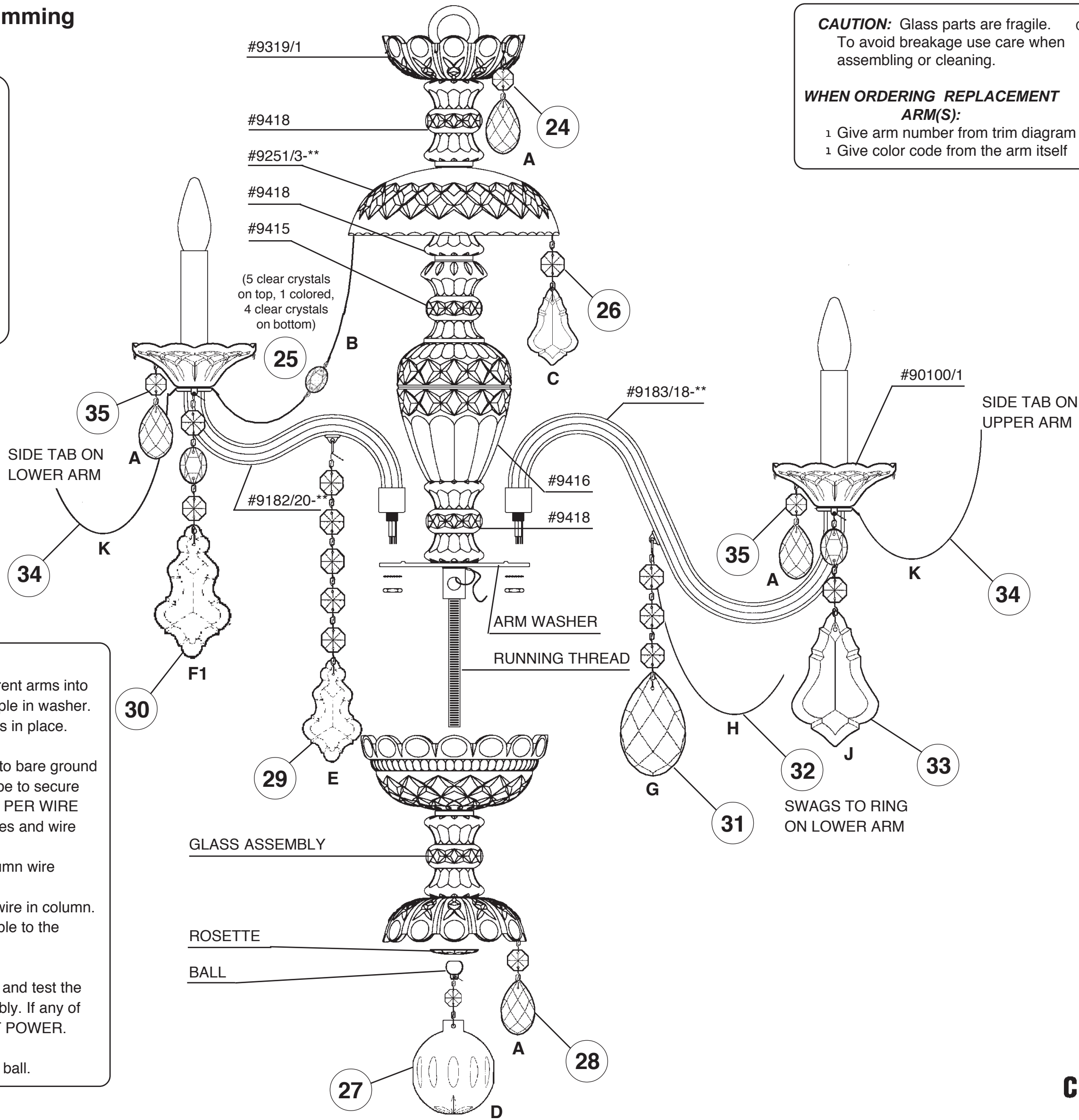
STEPS 22 - 35



23

You will need 12 - C10
25 Watts Recommended
60 Watts Max

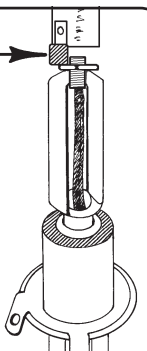
Install bulbs and be
sure to test fixture
BEFORE trimming.



CAUTION: Glass parts are fragile. To avoid breakage use care when assembling or cleaning.

WHEN ORDERING REPLACEMENT ARM(S):

- 1 Give arm number from trim diagram
- 1 Give color code from the arm itself



22 ALTERNATELY install two different arms into washer. Line up holes in arms with dimple in washer. Use lock washer and nut to secure arms in place.

Connect bare ground wire in each arm to bare ground wire in center column. Use electrical tape to secure wire nuts. NO MORE THAN 5 - WIRES PER WIRE NUT. Sufficient quantities of jumper wires and wire nuts are provided.

Connect white arm wires to neutral column wire (ribbed or marked is neutral).

Connect black arm wires to the power wire in column. Carefully press wires as close as possible to the underside of washer.

Install bobeches, bulbs, connect power and test the fixture BEFORE attaching glass assembly. If any of the bulbs do NOT light - DISCONNECT POWER. Double check the wire connections.

Attach glass assembly with rosette and ball.

