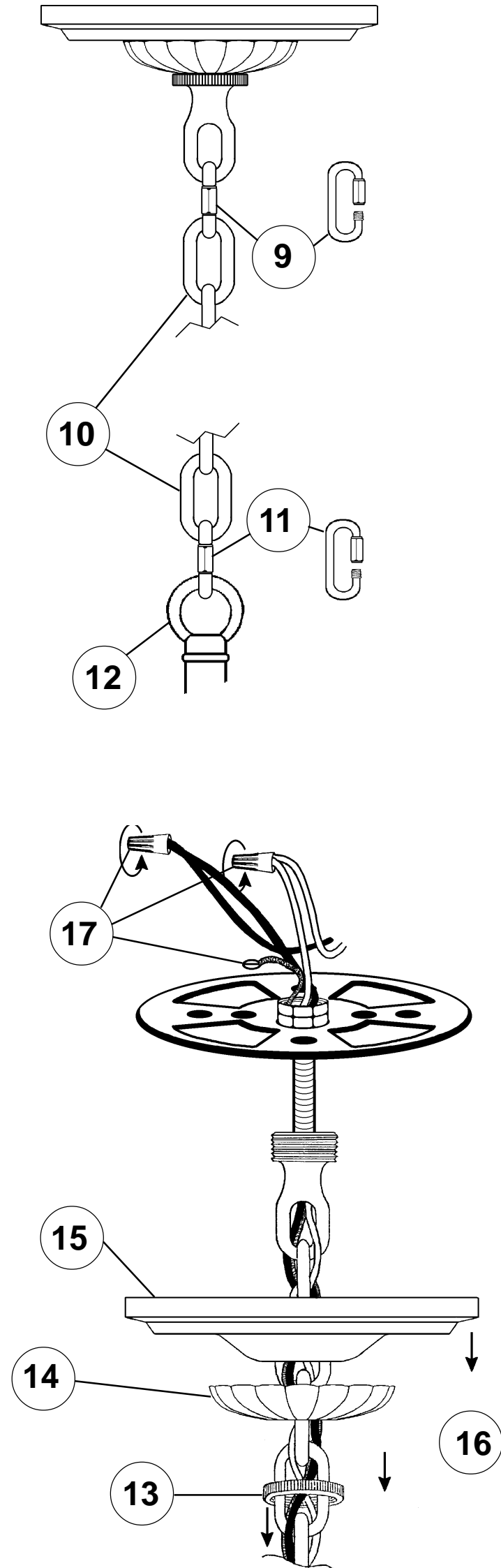
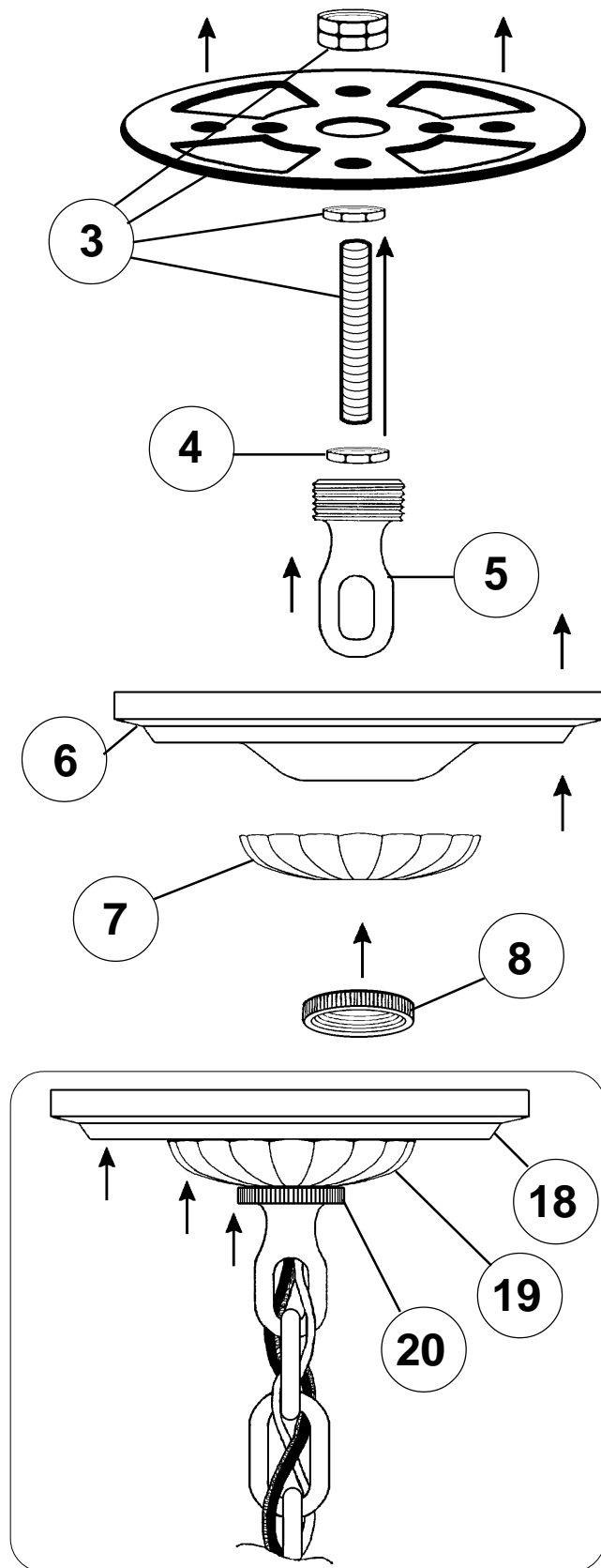


Instructions for electrician
STEPS 2 - 20

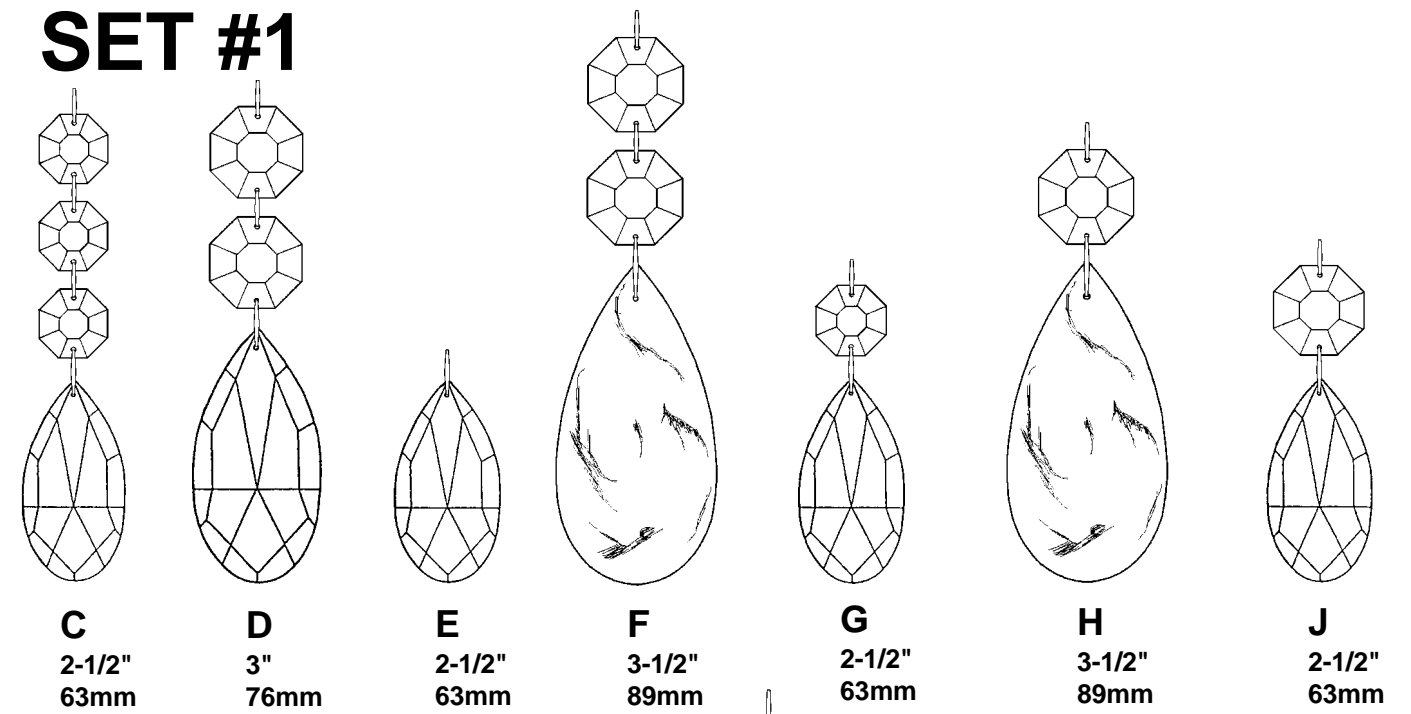
2 **WARNING:**

Electrical Danger **Turn Power Off**

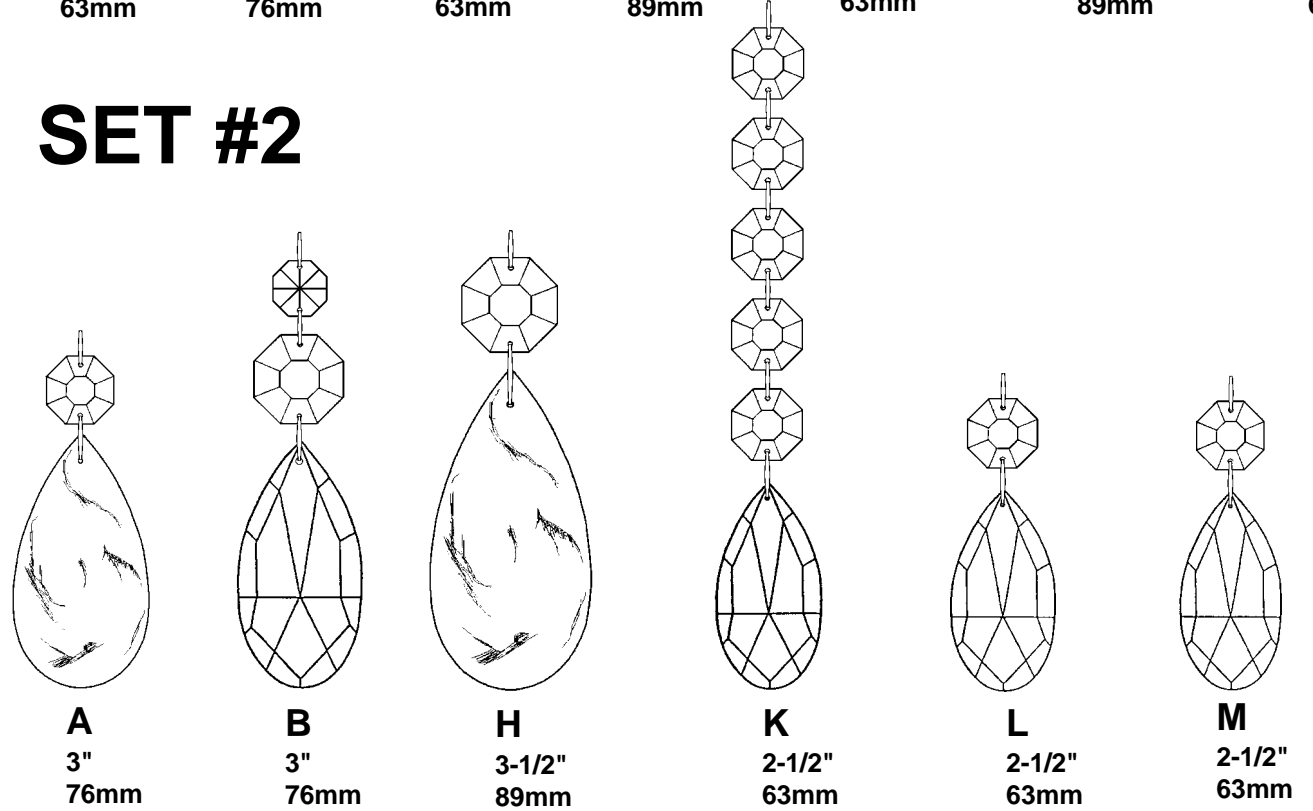
All electrical components must be installed by a licensed electrician in accordance with the National Electric Code and the appropriate local electrical codes.



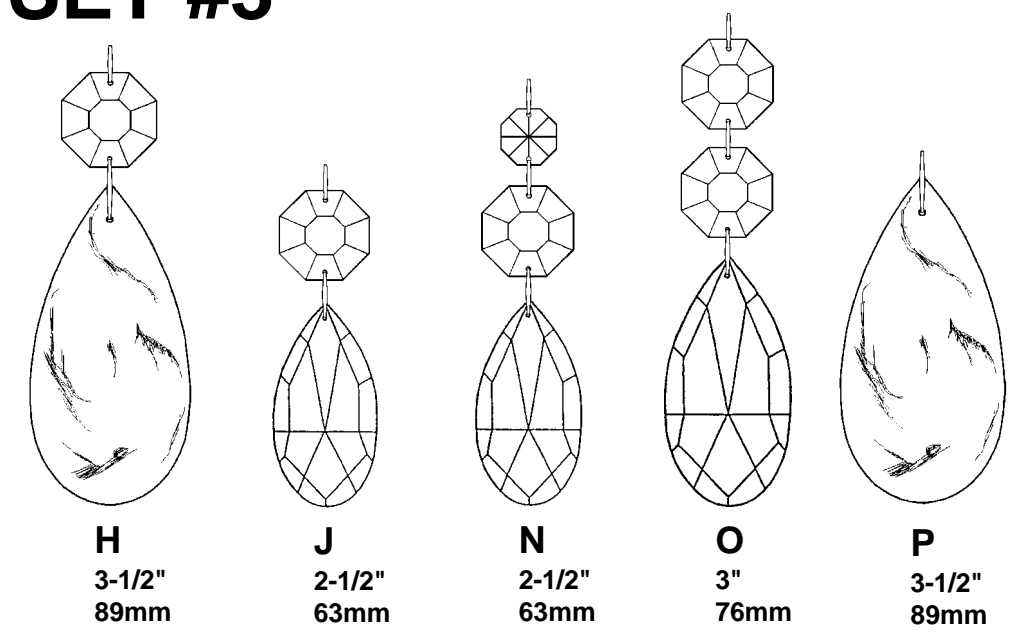
SET #1



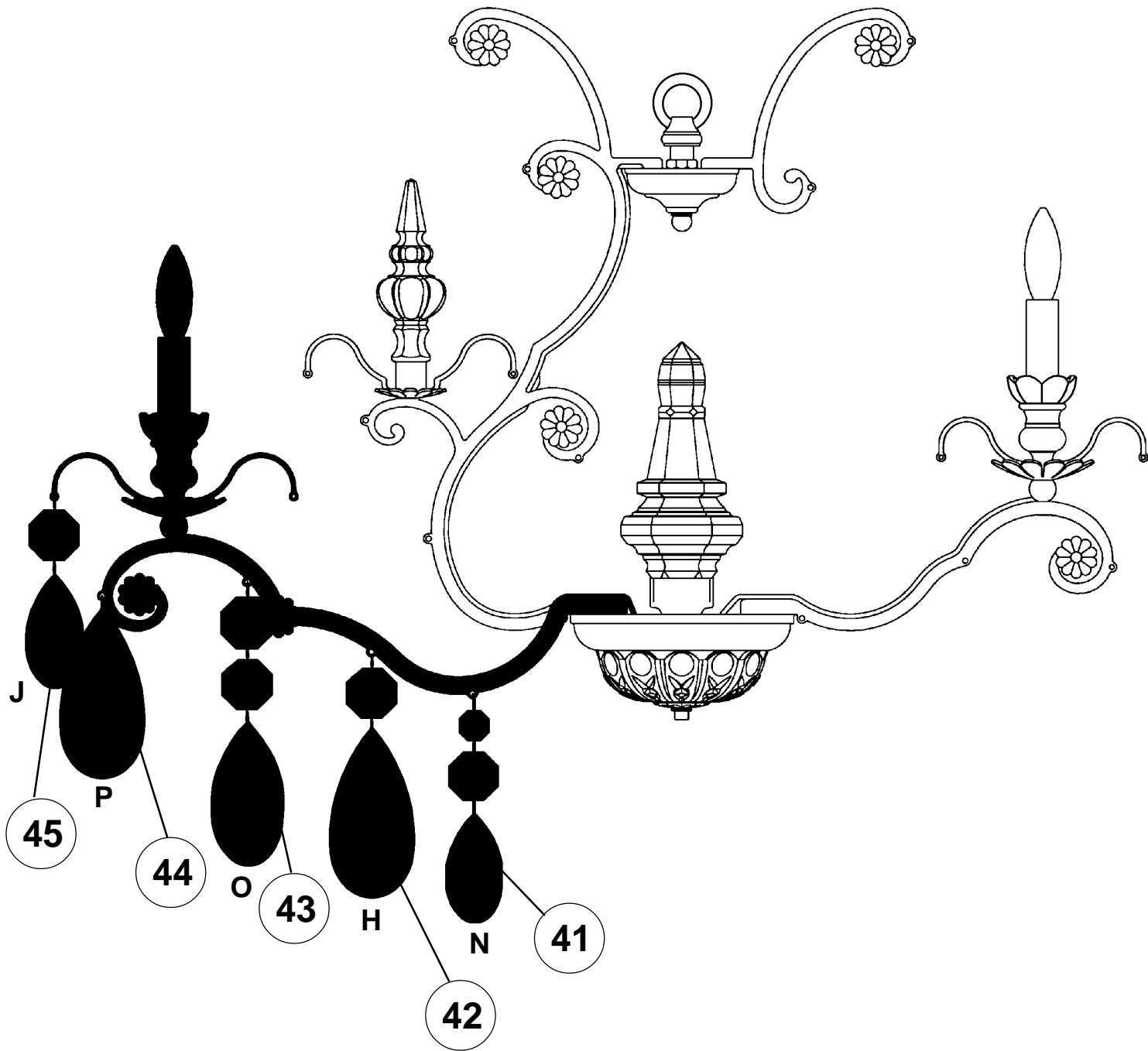
SET #2



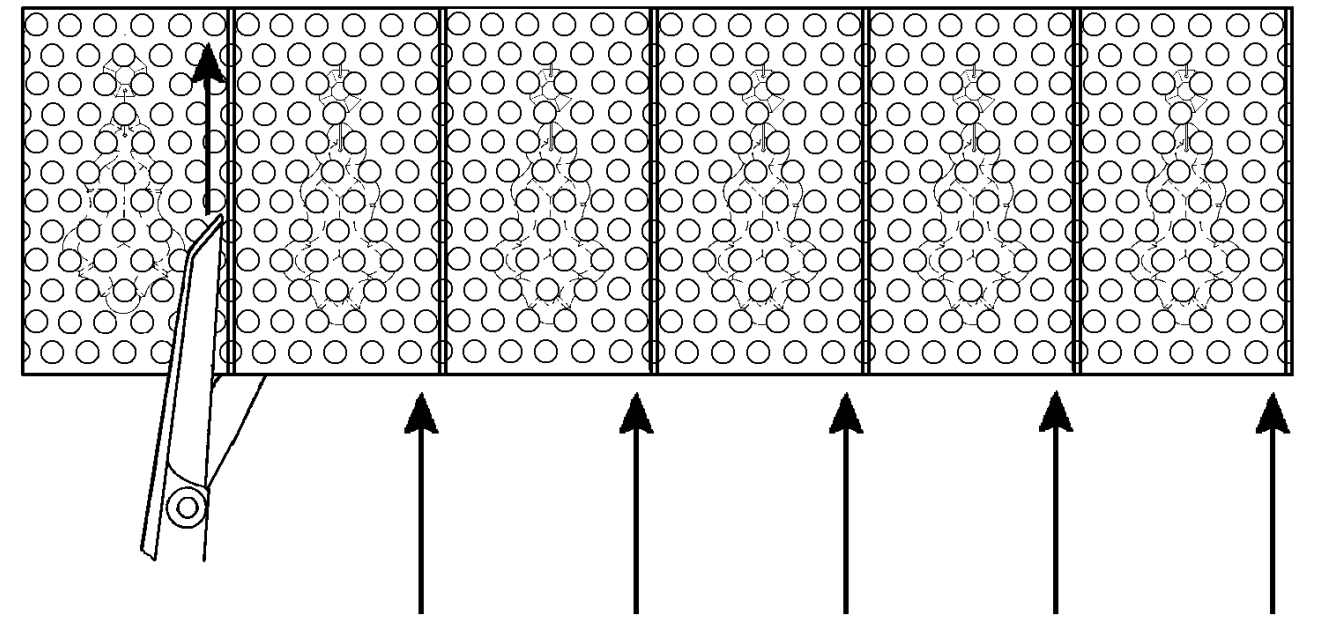
SET #3



Crystal Set #3 in Black



For easy removal of crystal from bubble pack, please cut along pouches on the inside of the seam. Gently remove crystal from the side of the pouch.



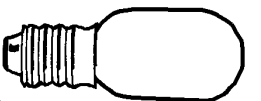
NOTE: Work on one crystal set at a time. Follow the black line from top to bottom according to the numbered steps on the trim diagram.

Instructions for crystal trimming
STEPS 21 - 45


Crystal Set #2 in Black

Crystal Set #1 in Black

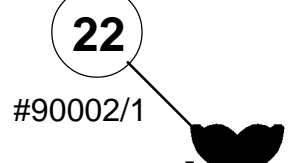
21 1 - T7
15 Watts Max
(Center Light)



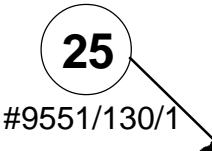
23 12 - C10
60 Watts Max
25 Watts Recommend



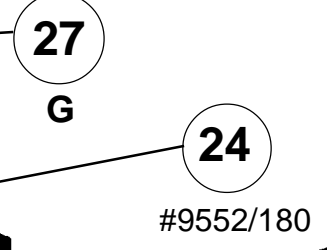
22 #90002/1



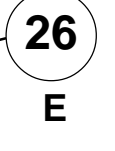
25 #9551/130/1



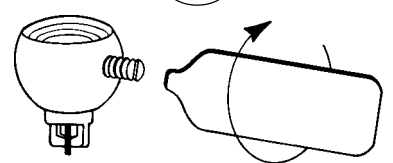
24 #9552/180



26 E

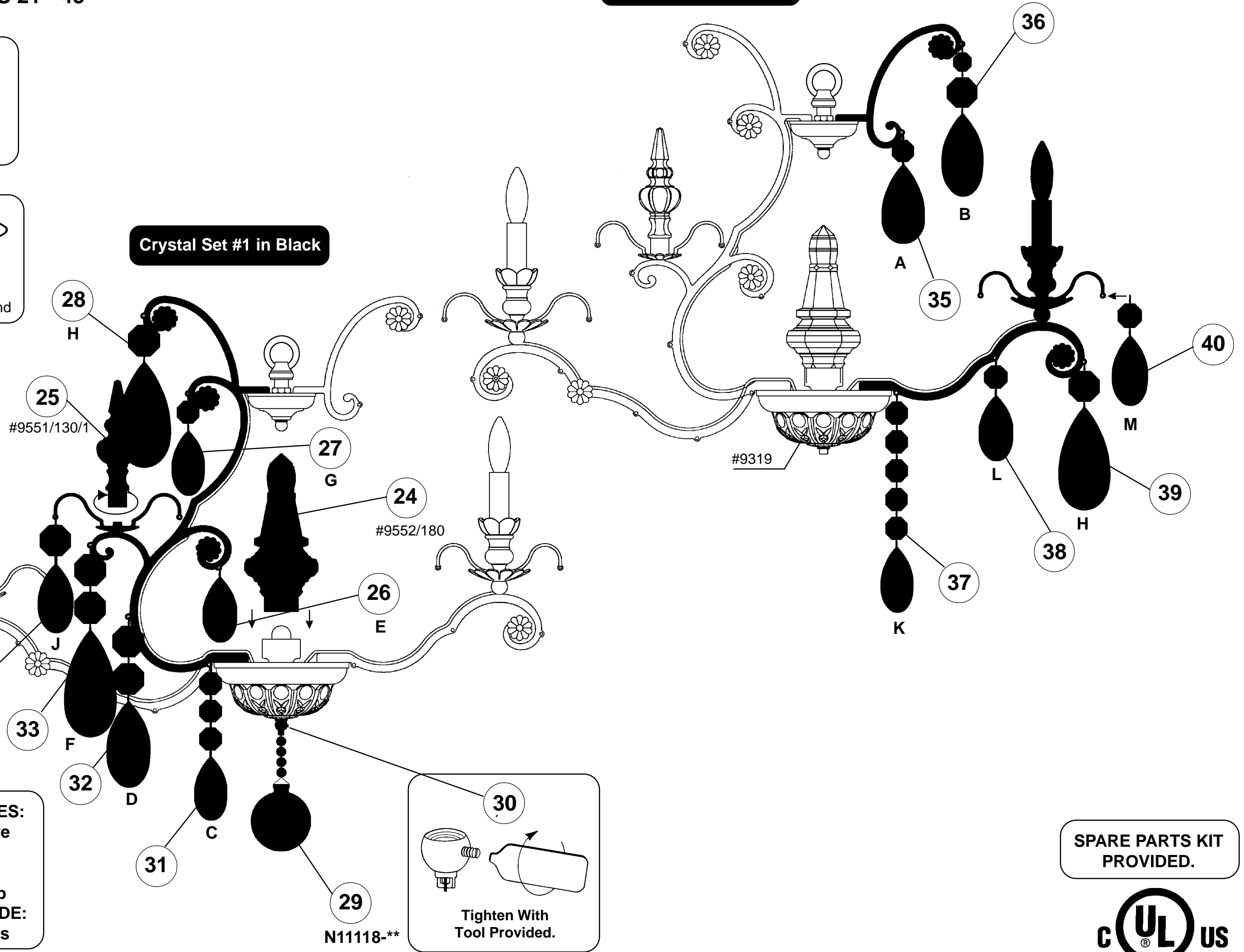


30



Tighten With
Tool Provided.

FIXTURE INCLUDES:
Hanger Hardware
Trim
Frame
1 - T7 Light Bulb
DOES NOT INCLUDE:
C10 - Light Bulbs



**SPARE PARTS KIT
PROVIDED.**

